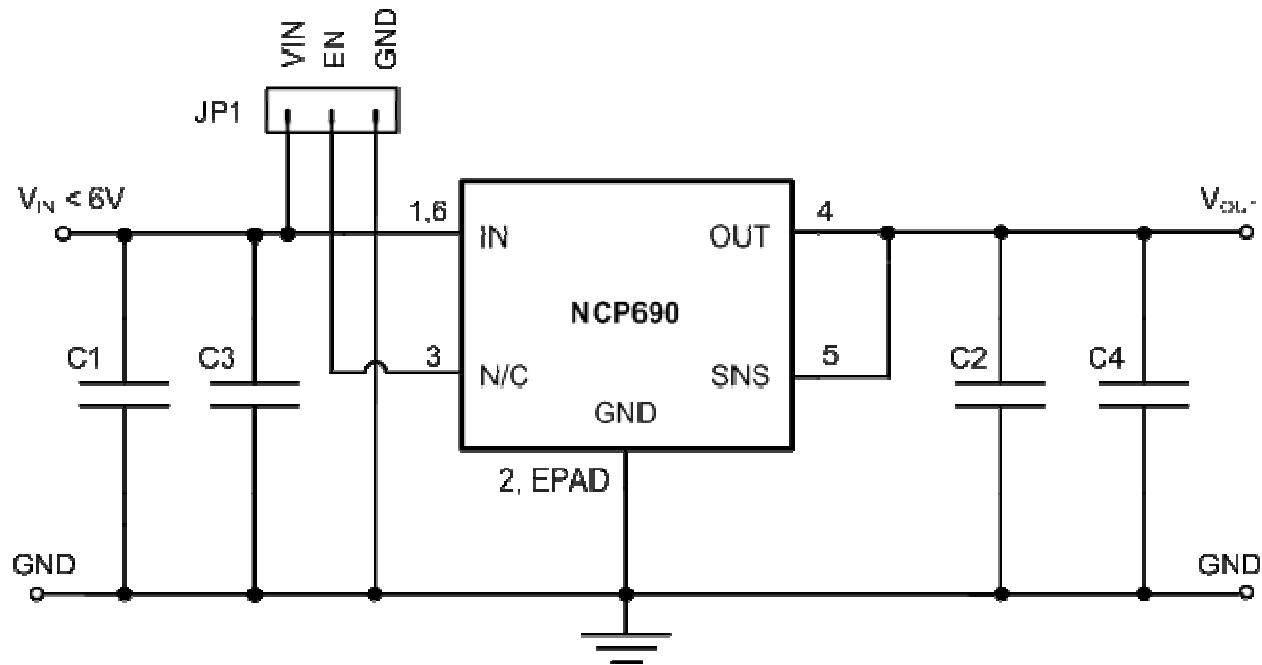


Schematic for the NCP690, 1A, Fixed Output Voltage LDO Demonstration Board

ON Semiconductor



NCP690, 1A, Fixed Output Voltage LDO Schematic View