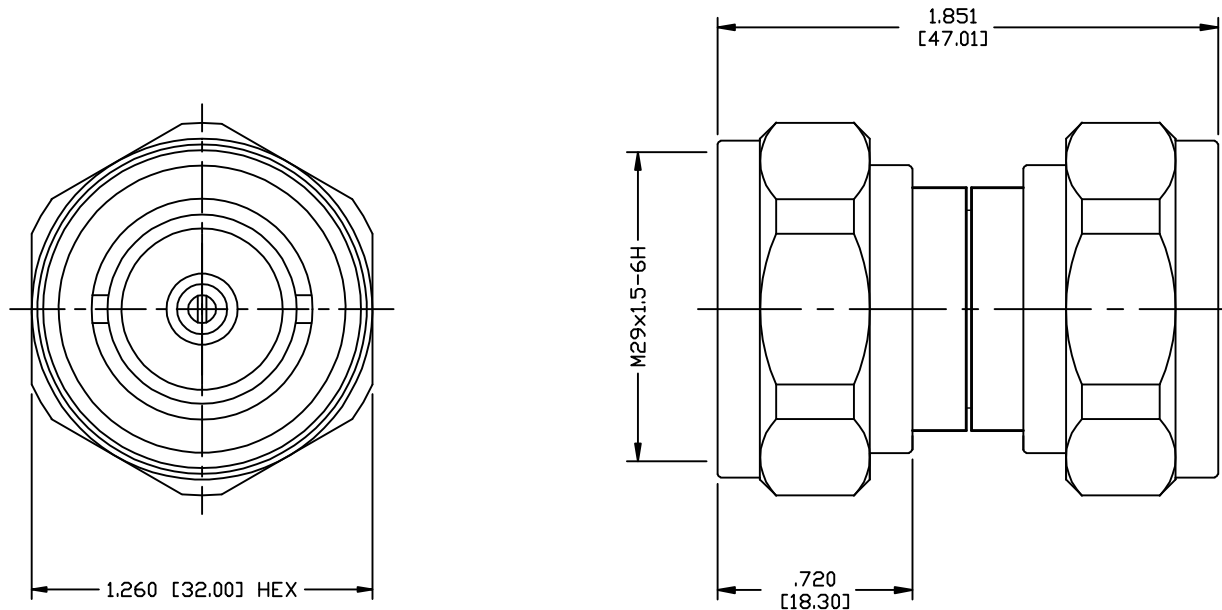


PART NO.

**P2RFD-1650-SS**

| REV | DESCRIPTION                                      | DWN | DATE     | APPROVED |
|-----|--|-----|----------|----------|
| -   | ENGINEERING RELEASE                              | CZS | 6/22/12  | JDMc     |
| A   | CHANGE TO O.A.L. DIM AND INTERNAL SUB-COMPONENTS | JDM | 10/30/15 | JDMc     |

**SPECIFICATIONS:**

IMPEDANCE: 50 OHMS  
 FREQUENCY RANGE: DC-7.5 GHz  
 VSWR MAX: <1.1:1 @ DC-3 GHz  
 INSERTION LOSS: -.01 dB x  $\sqrt{\text{FREQUENCY GHz}}$   
 PIM:  $\leq -160$  dBc @ 1900 MHz  
 RoHS COMPLIANT

DIMENSIONS ARE REFERENCE ONLY

| # | DESCRIPTION | QTY | MATERIAL    | FINISH       |
|---|-------------|-----|-------------|--------------|
| 6 | SHELL       | 2   | SST. 303    | PASSIVATED   |
| 5 | O RING      | 2   | S.I. RUBBER | ---          |
| 4 | GROUND RING | 1   | BRASS       | WHITE BRONZE |
| 3 | INSULATOR   | 1   | PTFE        | ---          |
| 2 | PIN         | 1   | BRASS       | WHITE BRONZE |
| 1 | BODY        | 1   | BRASS       | WHITE BRONZE |

| CUSTOMER<br>OUTLINE DRAWING  |          |
|--|----------|
| ALL DIMENSIONS<br>ARE REFERENCE ONLY   |          |
| UNLESS OTHERWISE SPECIFIED:<br>DIMENSIONS ARE IN INCHES<br>AND [MILLIMETERS] |          |
| DRAWN<br>JDMc  | 10/30/15 |
| CHECKED  |          |
| ORJ DRAWN<br>C. ZUNIGA   | 01/15/15 |

PROPRIETARY AND CONFIDENTIAL  
 THIS DRAWING CONTAINS  
 INFORMATION PROPRIETARY TO  
 RF INDUSTRIES. ANY  
 UNAUTHORIZED USE OF THIS  
 DRAWING IS EXPRESSLY  
 PROHIBITED WITHOUT WRITTEN  
 PERMISSION FROM RF  
 INDUSTRIES. ANY VIOLATION IS  
 PUNISHABLE UNDER U.S.  
 COPYRIGHT LAWS.

**RFconnectors**  
 DIVISION OF RF INDUSTRIES, LTD.

7610 MIRAMAR RD.  
 SAN DIEGO, CA 92126  
 (858) 549-6340  
 (858) 549-6345 FAX

## 7/16 DIN PLUG TO 7/16 DIN PLUG BARREL

| SIZE          | CABLE GROUP             | DWG NO.              | REV |
|---------------|-------------------------|----------------------|-----|
| A             | N/A                     | <b>P2RFD-1650-SS</b> | —   |
| SCALE:<br>NTS | ENGINEERING ID:<br>1787 | SHEET 1 OF 1         |     |