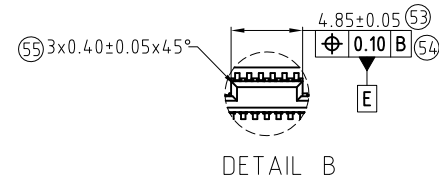
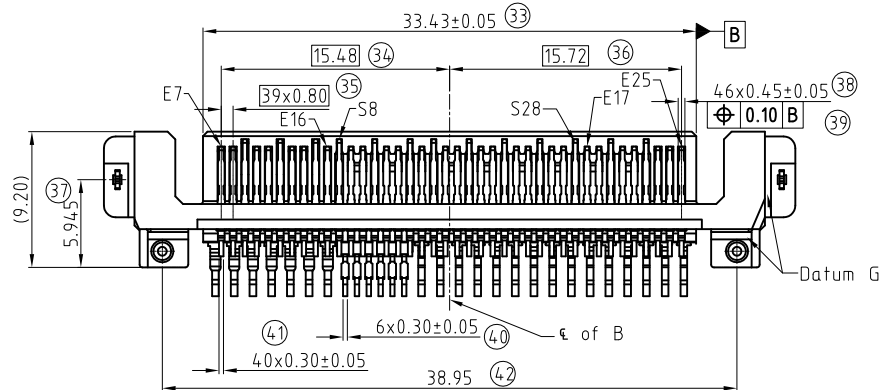
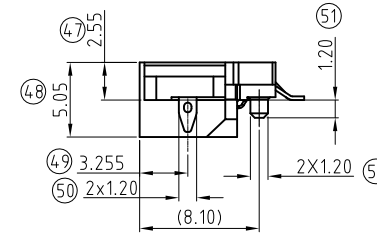
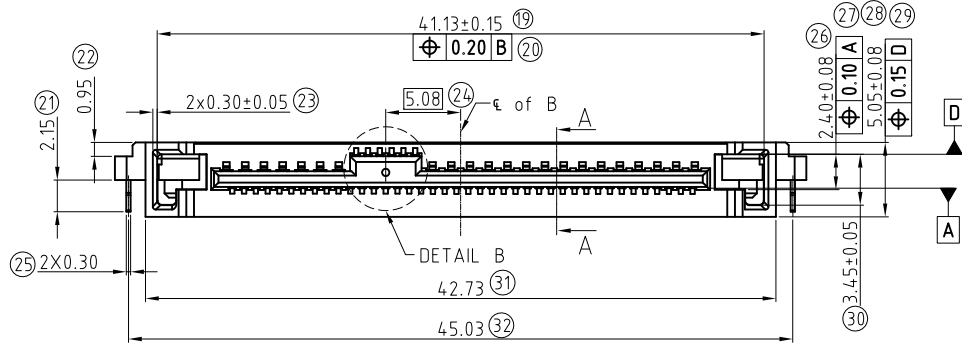
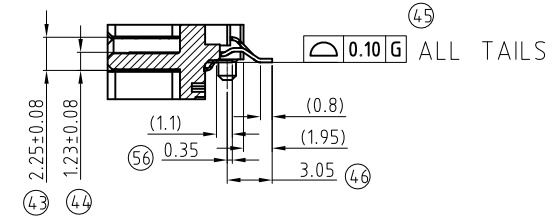
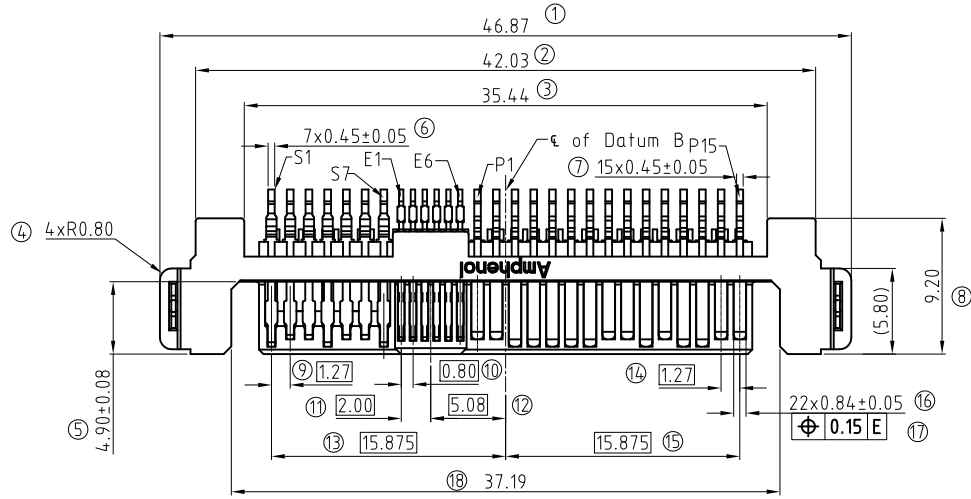


This document is the property of Amphenol Corporation and is delivered on the express condition that it is not to be disclosed, reproduced or used, in whole or in part, for manufacture or sale by anyone other than Amphenol Corporation without its prior consent, & that no right is granted to disclose or to use any information in this document.

CUSTOMER DRAWING

REVISIONS

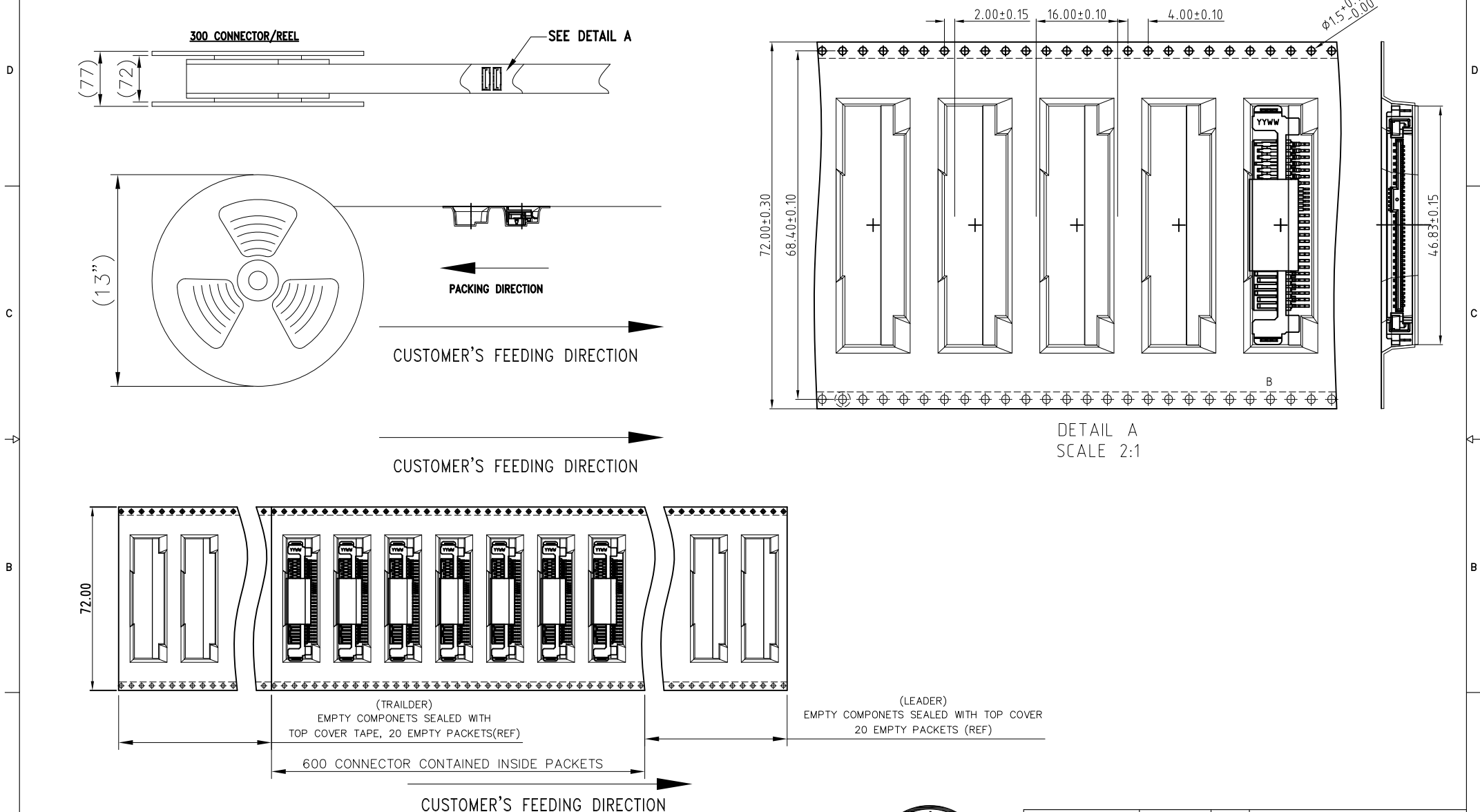
SYM	ECN	DESCRIPTION	DATE	APPROVED
1	HK---	FIRST RELEASE	04/13/18	IP
2	HK---	ADD DIMENSIONS ON PCB	07/19/19	IP
3	HK---	ADD DIMENSIONS ON PCB	07/24/19	IP
4	HK---	ADD DIMENSIONS ON PCB	07/26/19	IP
5	HK---	ADD DIMENSIONS ON PCB	02/26/20	IP
6	HK---	ADD PACKAGE DRAWING	06/15/20	IP
7	HK---	MODIFY THE SPECIFICATION	07/29/20	IP



UNLESS OTHERWISE SPECIFIED TOLERANCES		APPROVAL	DATE	Amphenol
	U.S. METRIC	DRAWN	02/26/20	
X	+/- 0.30	Jimmy Zhou		Amphenol East Asia Limited
.XX	+/- 0.15	CHECKED		
.XXX	+/- 0.10	CHECKED		TITLE
FRACTIONS	+/- 0.10			Customer Drawing For
ANGLES	+/- 3°			PCIe/SAS R/A SMT PLUG CONNECTOR
FOR MATERIALS AND FINISHES SEE NOTES		DRAWING FILE : YDRAWING\PSAS\PSAS4M213008XXX-5		SIZE
REMOVE SHARP EDGES		ANGLE OF PROJECTION		A3
DIMENSIONS				DRAWING NO.
U.S.	INCHES			PSAS4M213008XXX
(METRIC)	(MM)			REV.
				7
SCALE				NONE
				SHEET 1 OF 3

This document is the property of Amphenol Corporation and is delivered on the express condition that it is not to be disclosed, reproduced or used, in whole or in part, for manufacture or sale by anyone other than Amphenol Corporation without its prior consent, & that no right is granted to disclose or to use any information in this document.

REVISIONS				
SYM	ECN	DESCRIPTION	DATE	APPROVED
REFER TO SHEET 1				



UNLESS OTHERWISE SPECIFIED TOLERANCES		APPROVAL	DATE
	U.S.	DRAWN	Jimmy.zhou
	METRIC	CHECKED	02/26/20
X	+/-	CHECKED	
.XX	+/-		
.XXX	+/-		
FRACTIONS	+/-		
ANGLES	+/-		
FOR MATERIALS AND FINISHES SEE NOTES		DRAWING FILE :	
REMOVE SHARP EDGES		ANGLE OF PROJECTION	
DIMENSIONS			
U.S.	INCHES	SIZE	DRAWING NO.
(METRIC)	(MM)	A3	PSAS4M213008XXX
		SCALE	NONE
		SHEET	3 OF 3

Amphenol	
Amphenol East Asia Limited	
TITLE Customer Drawing For PCIe/SAS R/A SMT PLUG CONNECTOR	
SIZE	DRAWING NO.
A3	PSAS4M213008XXX
SCALE	NONE
SHEET	3 OF 3
REV.	7