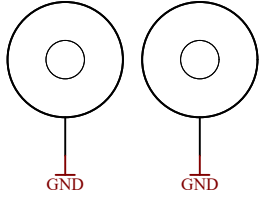
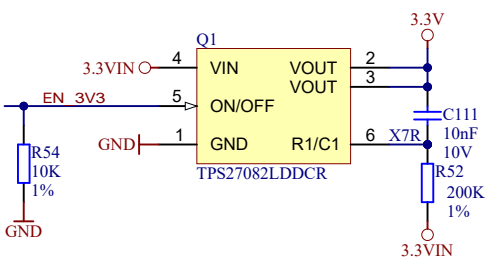
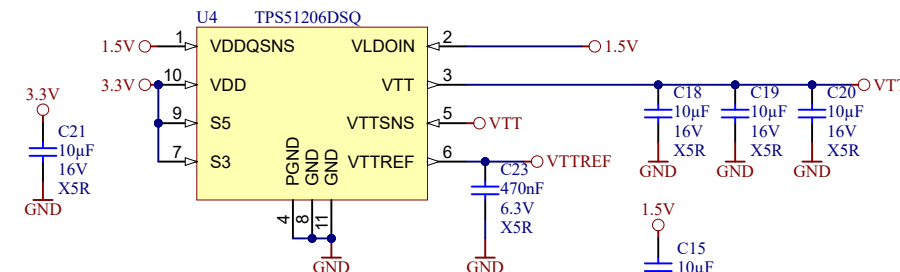
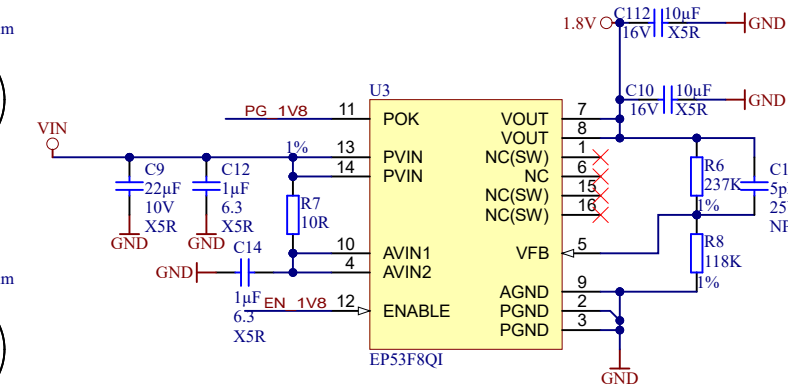
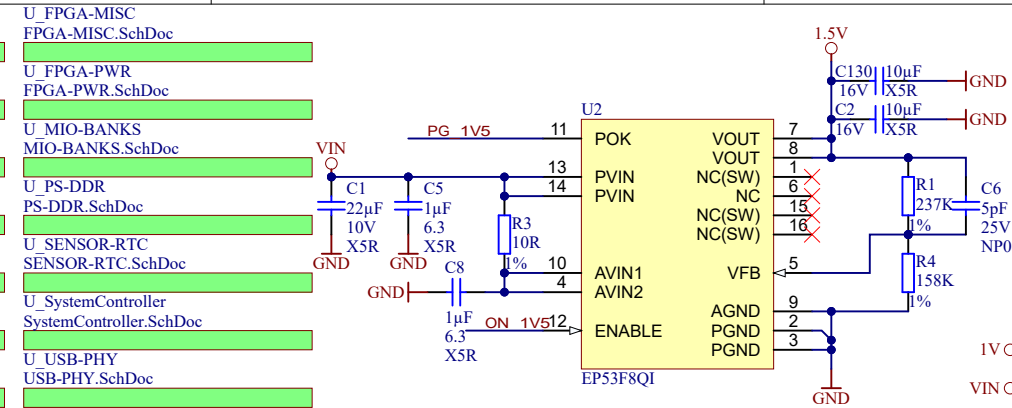
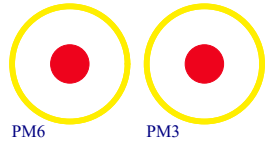
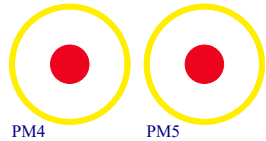
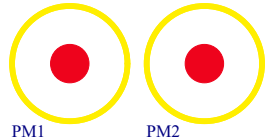
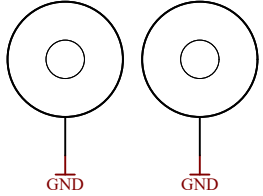


U_B2B-Connectors	U_FPGA-MISC
B2B-Connectors.SchDoc	FPGA-MISC.SchDoc
U_B13	U_FPGA-PWR
B13.SchDoc	FPGA-PWR.SchDoc
U_B33-B34	U_MIO-BANKS
B33-B34.SchDoc	MIO-BANKS.SchDoc
U_B35	U_PS-DDR
B35.SchDoc	PS-DDR.SchDoc
U_DDR3-RAM	U_SENSOR-RTC
DDR3-RAM.SchDoc	SENSOR-RTC.SchDoc
U_eMMC	U_SystemController
eMMC.SchDoc	SystemController.SchDoc
U_ETH-PHY	U_USB-PHY
ETH-PHY.SchDoc	USB-PHY.SchDoc

Mount.Hole 3.2mm Mount.Hole 3.2mm

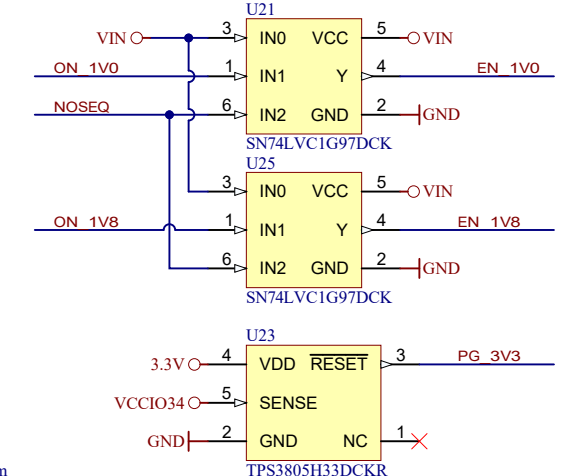
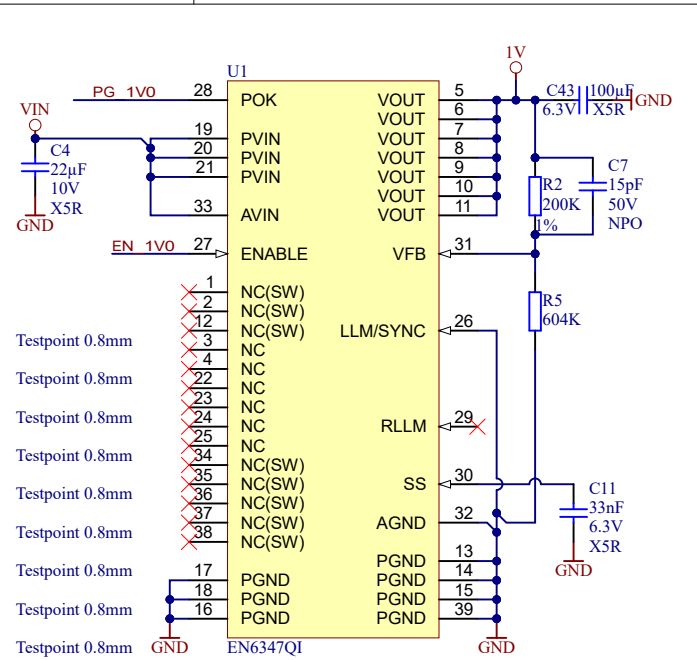


Mount.Hole 3.2mm Mount.Hole 3.2mm



- 1V TP1 Testpoint 0.8mm
- VIN TP2 Testpoint 0.8mm
- 1.5V TP3 Testpoint 0.8mm
- 1.8V TP4 Testpoint 0.8mm
- VTT TP5 Testpoint 0.8mm
- VTTREF TP6 Testpoint 0.8mm
- 3.3VIN TP7 Testpoint 0.8mm
- 3.3V TP8 Testpoint 0.8mm
- VCCIO13 TP9 Testpoint 0.8mm
- VCCIO33 TP10 Testpoint 0.8mm
- VCCIO34 TP11 Testpoint 0.8mm
- VCCIO35 TP12 Testpoint 0.8mm
- AVCC TP13 Testpoint 0.8mm
- AVREF TP14 Testpoint 0.8mm
- AGND TP15 Testpoint 0.8mm
- GND TP16 Testpoint 0.8mm
- GND TP17 Testpoint 0.8mm
- GND TP18 Testpoint 0.8mm
- GND TP19 Testpoint 0.8mm
- GND TP20 Testpoint 0.8mm

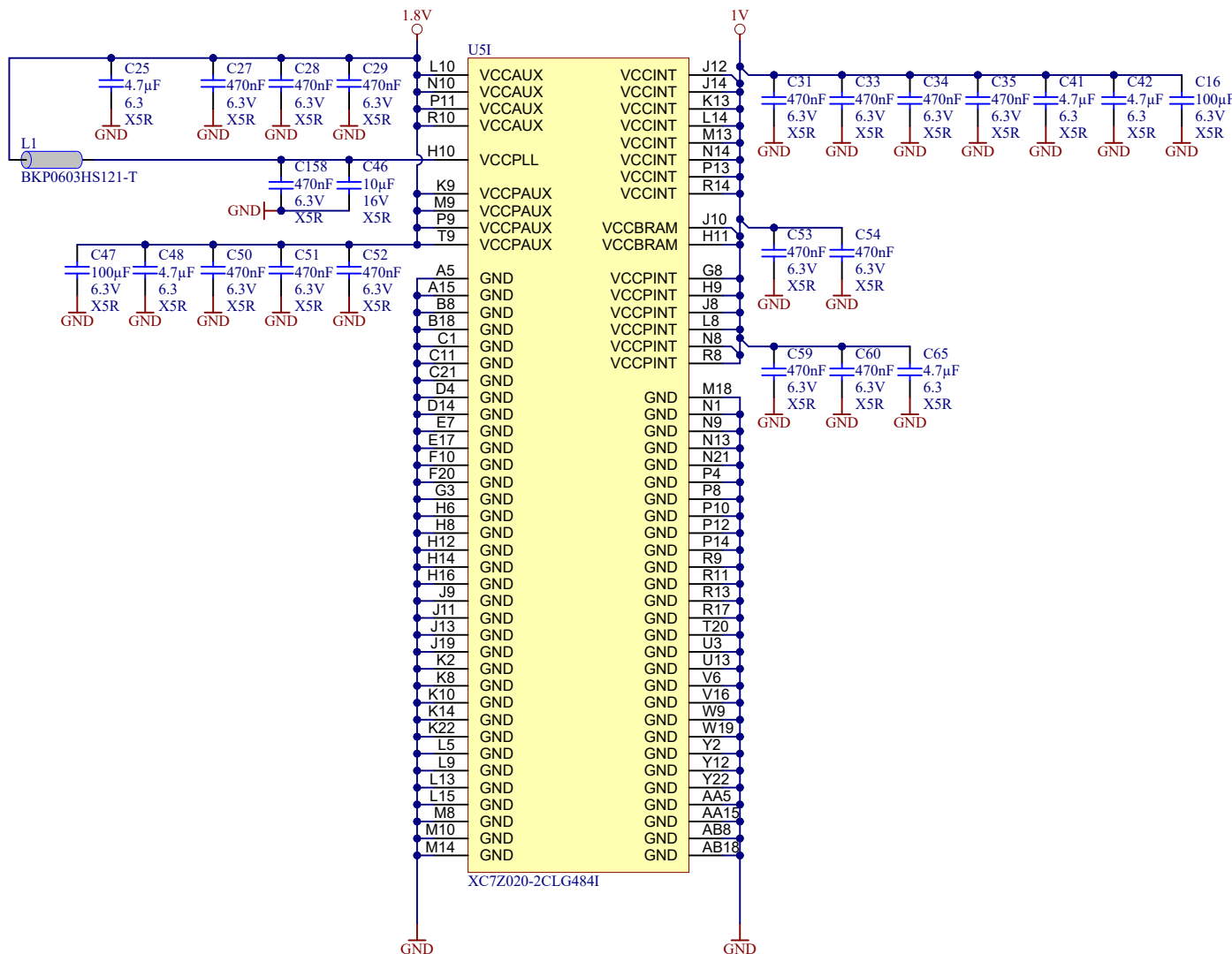
Serial
Serial Number 6,3 x 6,3mm




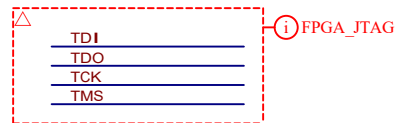
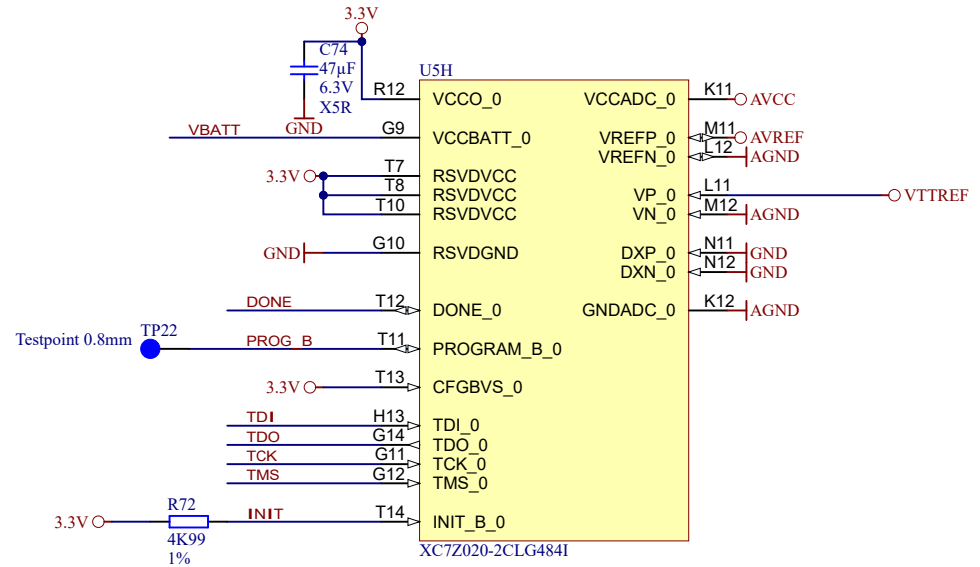
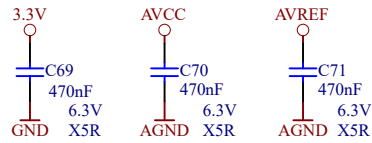
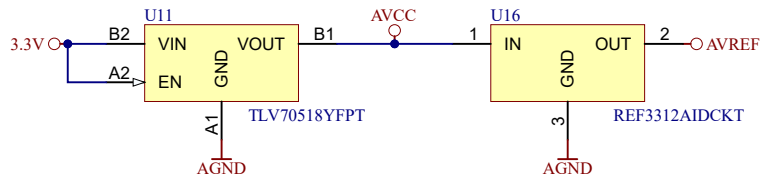
Assembly variant	62I33FL
Created by	MR
Modified by	MR
Modified at	2021-01-25
SVN Revision	9068



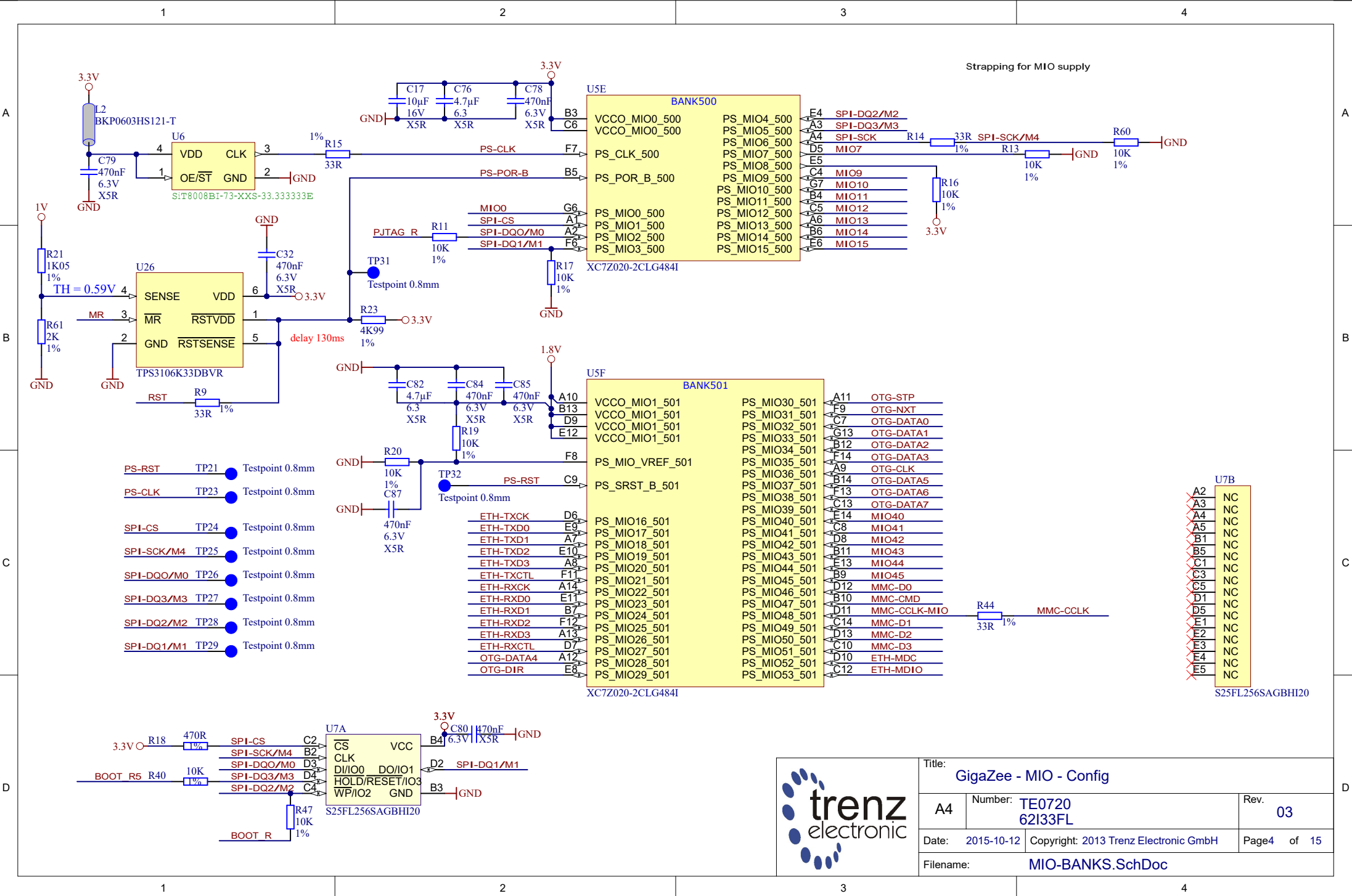
Title: GigaZee - Power		
A4	Number: TE0720 62I33FL	Rev. 03
Date: 2015-10-12	Copyright: 2013 Trenz Electronic GmbH	Page 1 of 15
Drawn by: *	Filename: TE0720.SchDoc	



	Title: GigaZee - FPGA Power		
	A4	Number: TE0720 62I33FL	Rev. 03
	Date: 2015-10-12	Copyright: 2013 Trenz Electronic GmbH	Page2 of 15
	Filename: FPGA-PWR.SchDoc		



	Title: GigaZee - B0		
	A4	Number: TE0720 62133FL	Rev. 03
	Date: 2015-10-12	Copyright: 2013 Trenz Electronic GmbH	Page3 of 15
	Filename: FPGA-MISC.SchDoc		



Strapping for MIO supply

USE BANK500

VCCO_MIO0_500	PS_MIO4_500	E4	SPI-DQ2/M2
VCCO_MIO0_500	PS_MIO5_500	A3	SPI-DQ3/M3
PS_CLK_500	PS_MIO6_500	A4	SPI-SCK/M4
PS_POR_B_500	PS_MIO7_500	D5	MIO7
	PS_MIO8_500	E5	
	PS_MIO9_500	C4	MIO9
	PS_MIO10_500	G7	MIO10
	PS_MIO11_500	B4	MIO11
	PS_MIO12_500	C5	MIO12
	PS_MIO13_500	A6	MIO13
	PS_MIO14_500	B6	MIO14
	PS_MIO15_500	E6	MIO15

USF BANK501

VCCO_MIO1_501	PS_MIO30_501	A11	OTG-STP
VCCO_MIO1_501	PS_MIO31_501	F9	OTG-NXT
VCCO_MIO1_501	PS_MIO32_501	C7	OTG-DATA0
VCCO_MIO1_501	PS_MIO33_501	G13	OTG-DATA1
	PS_MIO34_501	B12	OTG-DATA2
	PS_MIO35_501	F14	OTG-DATA3
	PS_MIO36_501	A9	OTG-CLK
	PS_MIO37_501	B14	OTG-DATA5
	PS_MIO38_501	F13	OTG-DATA6
	PS_MIO39_501	C13	OTG-DATA7
	PS_MIO40_501	E14	MIO40
	PS_MIO41_501	C8	MIO41
	PS_MIO42_501	D8	MIO42
	PS_MIO43_501	B11	MIO43
	PS_MIO44_501	E13	MIO44
	PS_MIO45_501	B9	MIO45
	PS_MIO46_501	D12	MMC-D0
	PS_MIO47_501	B10	MMC-CMD
	PS_MIO48_501	D11	MMC-CCLK-MIO
	PS_MIO49_501	C14	MMC-D1
	PS_MIO50_501	D13	MMC-D2
	PS_MIO51_501	C10	MMC-D3
	PS_MIO52_501	D10	ETH-MDC
	PS_MIO53_501	C12	ETH-MDIO

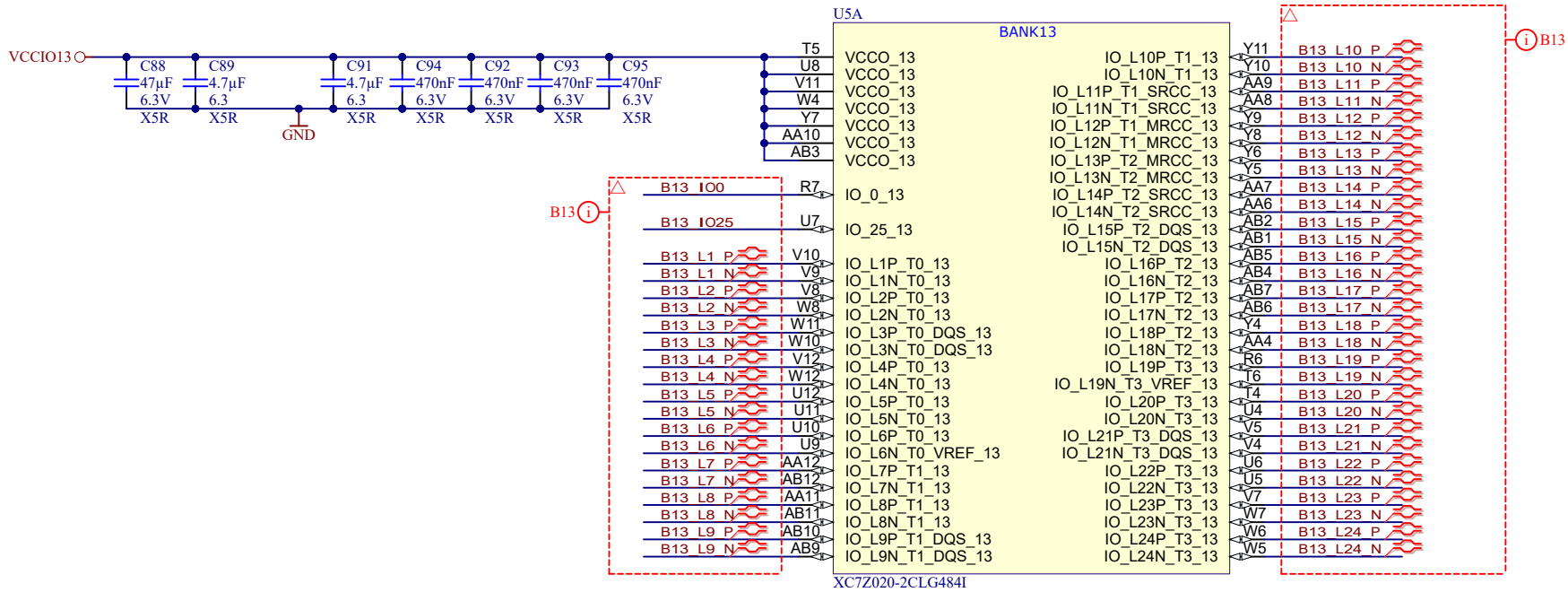
U7B

A2	NC
A3	NC
A4	NC
A5	NC
B1	NC
B5	NC
C1	NC
C3	NC
C5	NC
D1	NC
D5	NC
E1	NC
E2	NC
E3	NC
E4	NC
E5	NC

S25FL256SAGBH120



Title: GigaZee - MIO - Config		
A4	Number: TE0720 62133FL	Rev. 03
Date: 2015-10-12	Copyright: 2013 Trenz Electronic GmbH	Page4 of 15
Filename: MIO-BANKS.SchDoc		



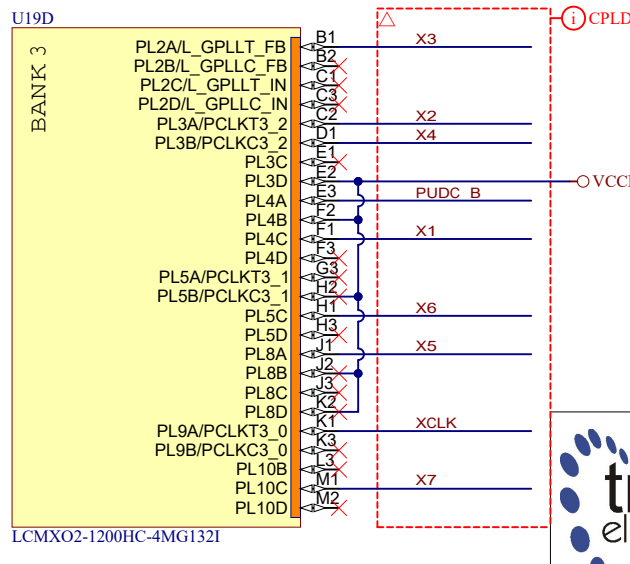
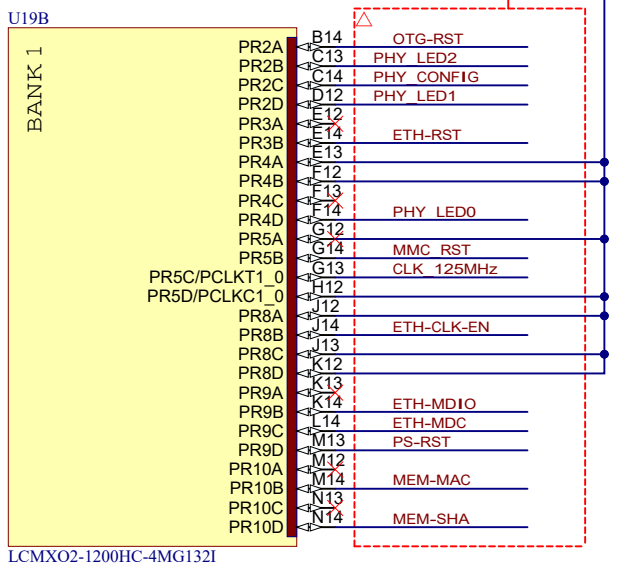
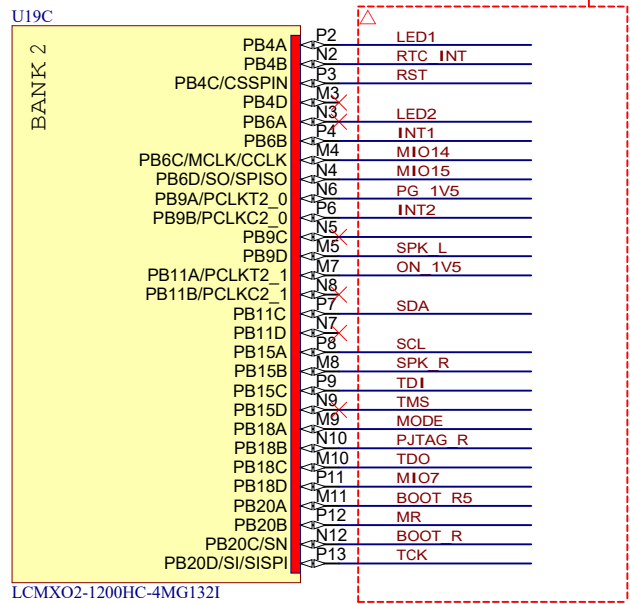
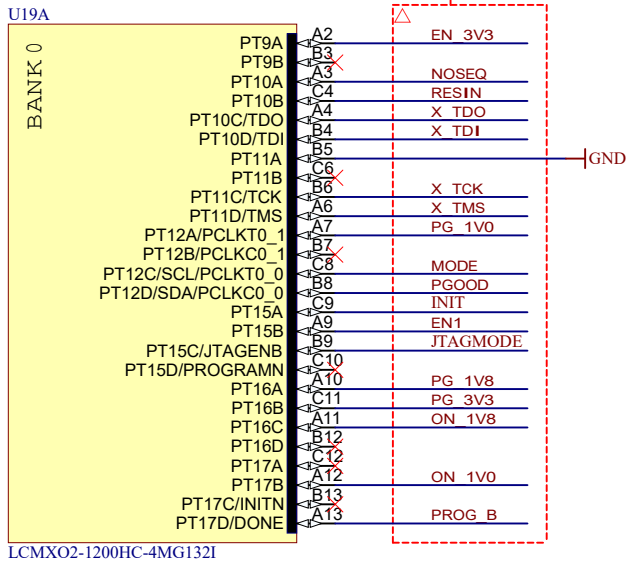
USA

BANK13

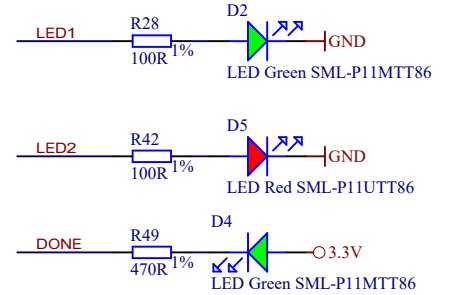
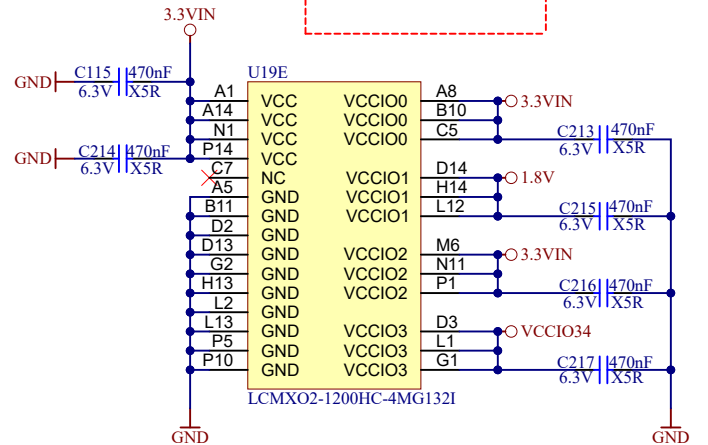
XC7Z020-2CLG484I



Title: GigaZee - B13		
A4	Number: TE0720 62I33FL	Rev. 03
Date: 2015-10-12	Copyright: 2013 Trenz Electronic GmbH	Page5 of 15
Filename: B13.SchDoc		



CPLD_3V3



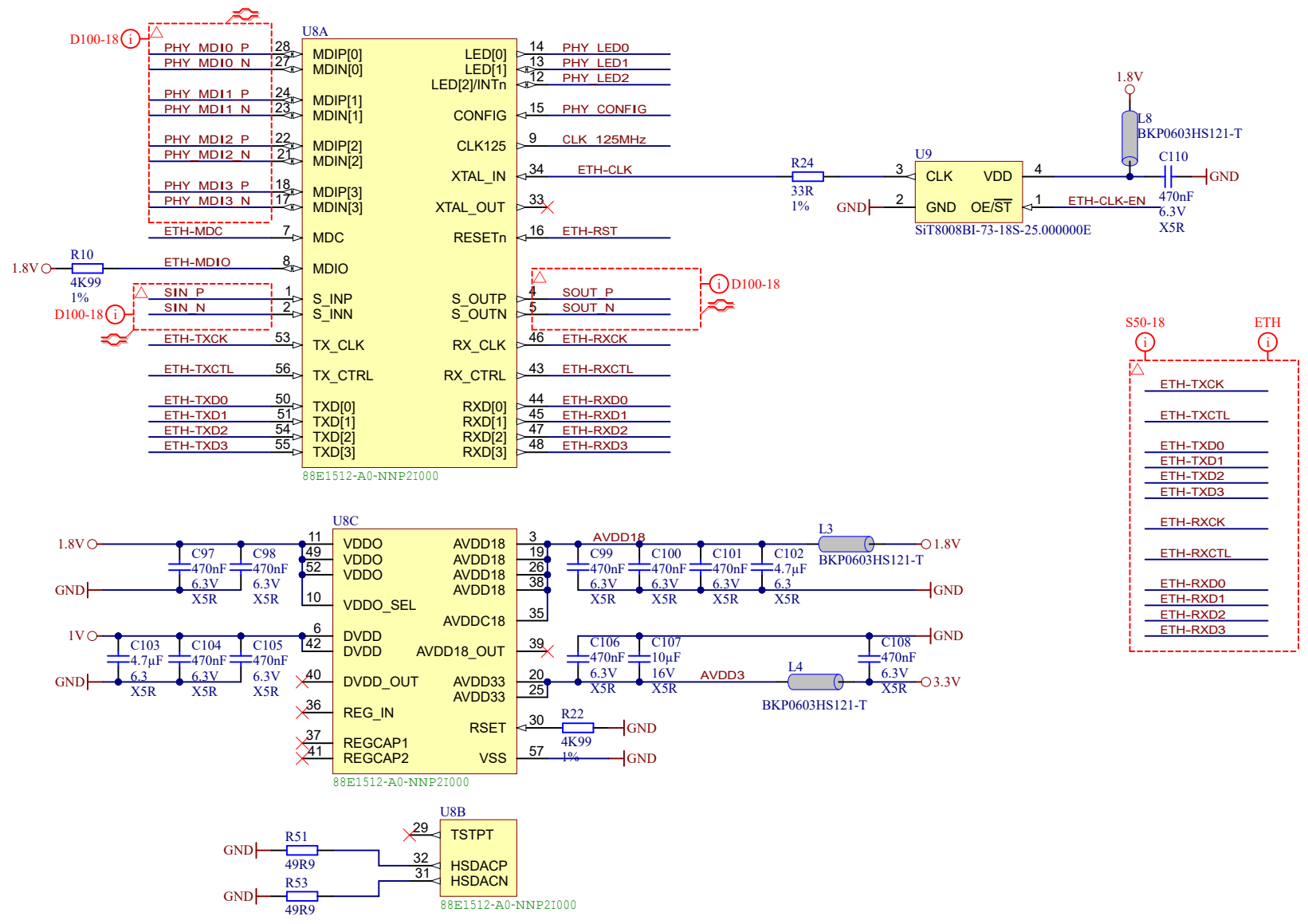
Title: GigaZee - System Controller		
A4	Number: TE0720 62133FL	Rev. 03
Date: 2015-10-12	Copyright: 2013 Trenz Electronic GmbH	Page6 of 15
Filename: SystemController.SchDoc		


A

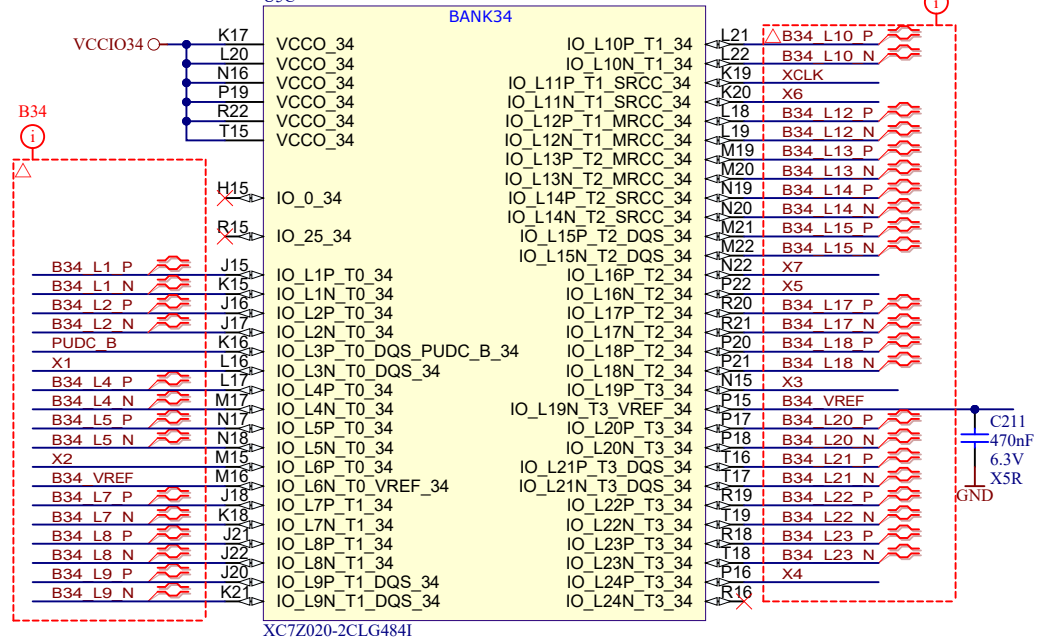
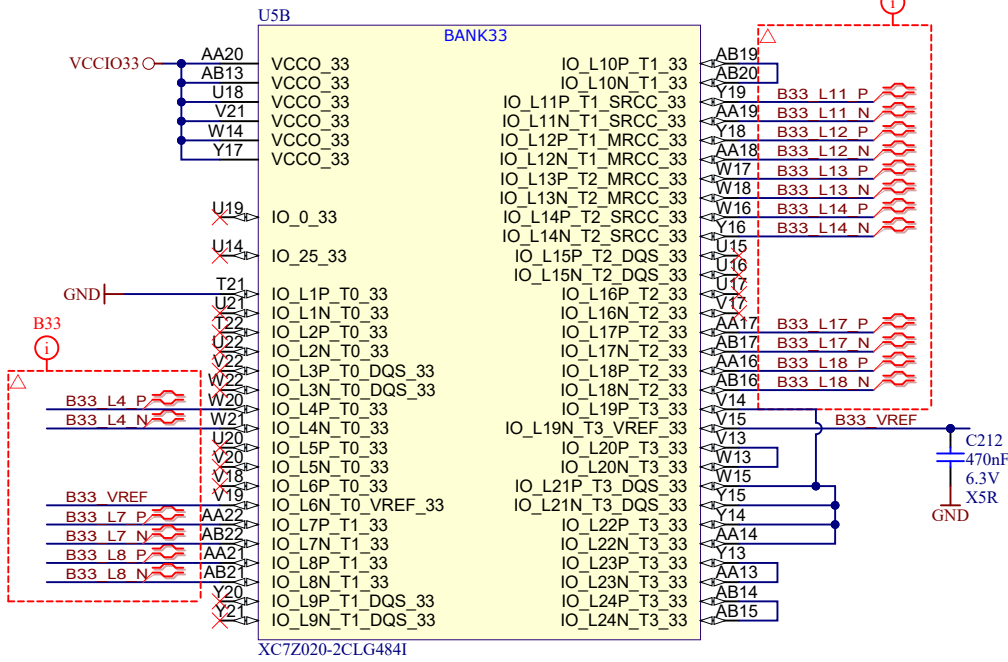
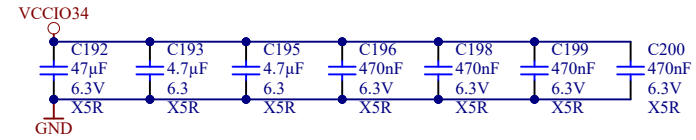
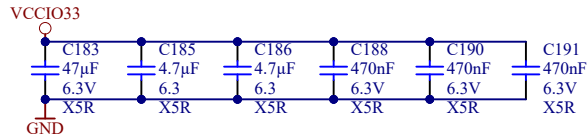
B

C

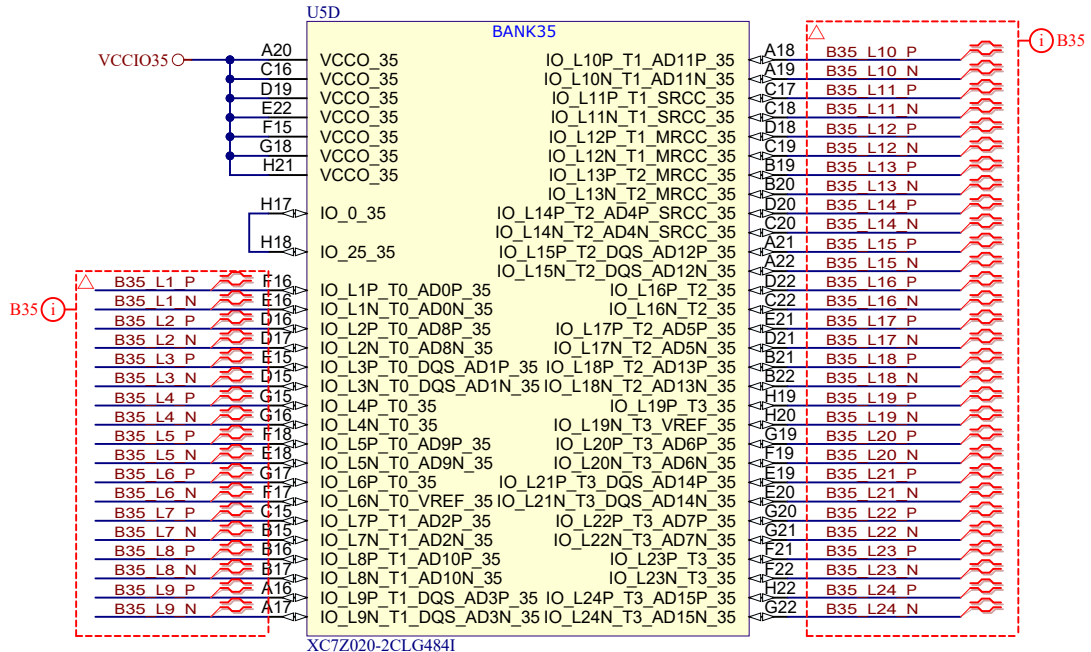
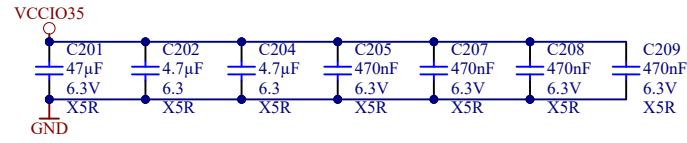
D



			Title: GigaZee - Ethernet	
			A4	Number: TE0720 62I33FL
Date: 2015-10-12		Copyright: 2013 Trenz Electronic GmbH		Page 7 of 15
Filename: ETH-PHY.SchDoc				

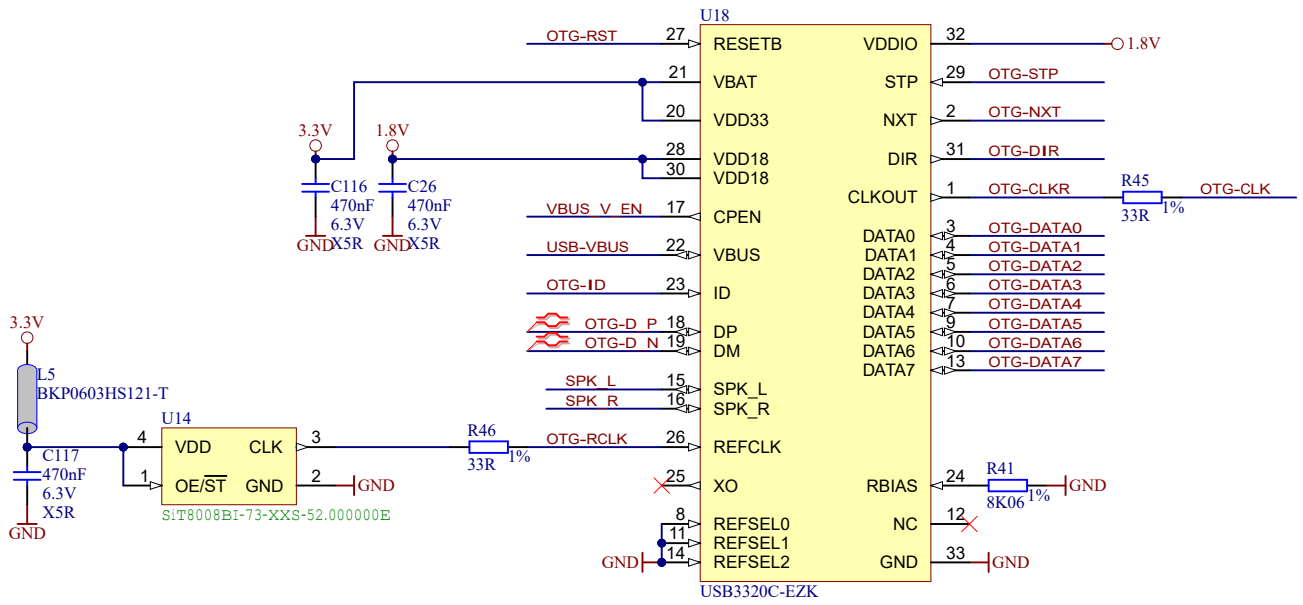


Title: GigaZee - B33 - B34		
A4	Number: TE0720 62I33FL	Rev. 03
Date: 2015-10-12	Copyright: 2013 Trenz Electronic GmbH	Page8 of 15
Filename: B33-B34.SchDoc		

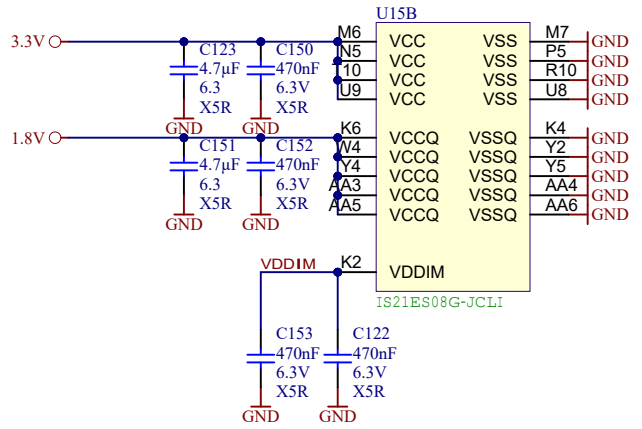
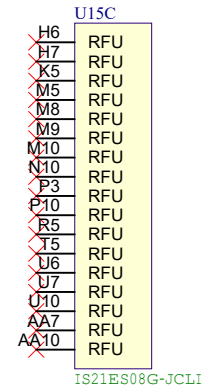
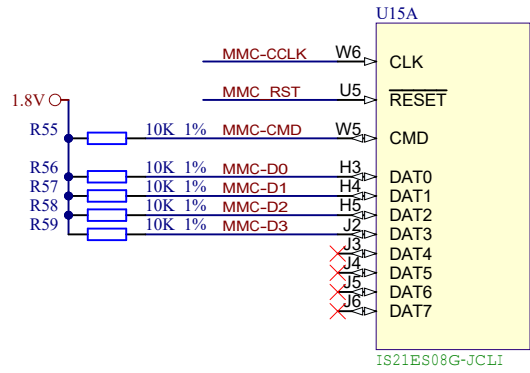
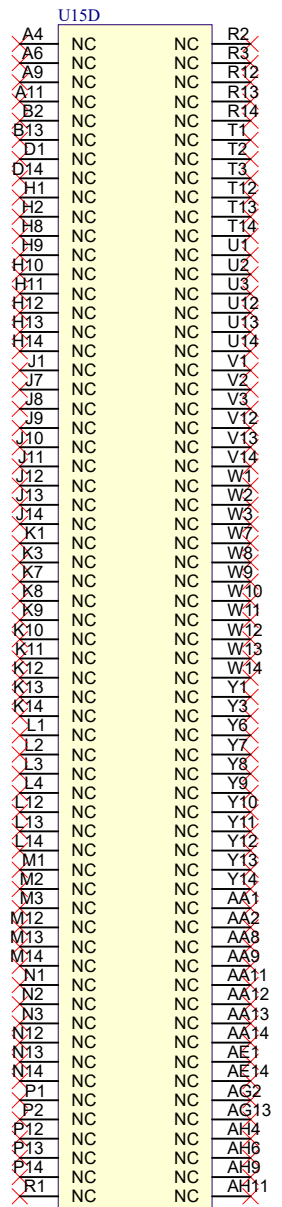


XC7Z020-2CLG484I

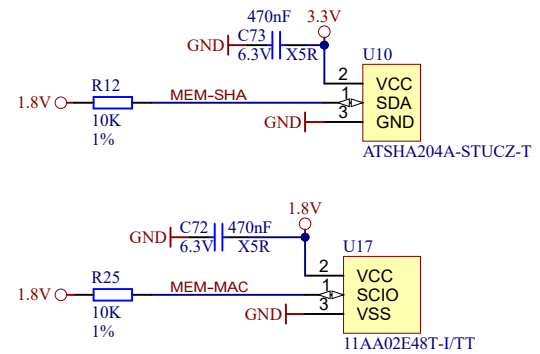
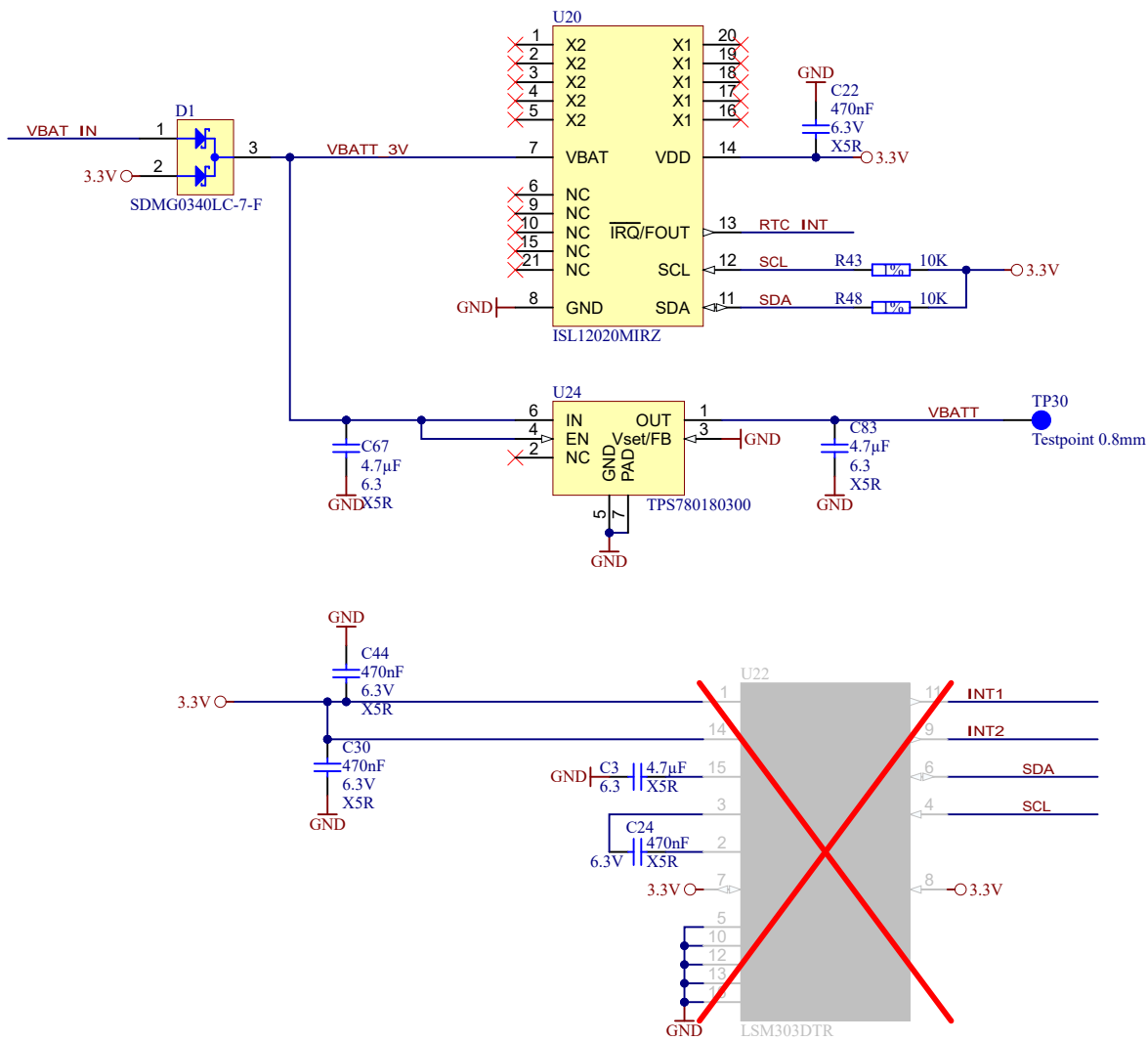
	Title: GigaZee - B35	
	A4	Number: TE0720 62I33FL
	Date: 2015-10-12	Copyright: 2013 Trenz Electronic GmbH
	Filename: B35.SchDoc	




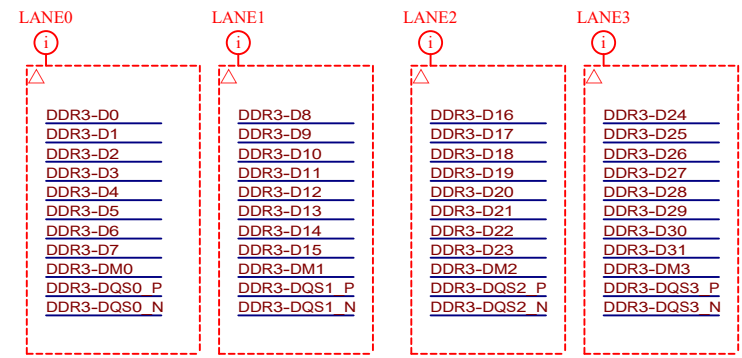
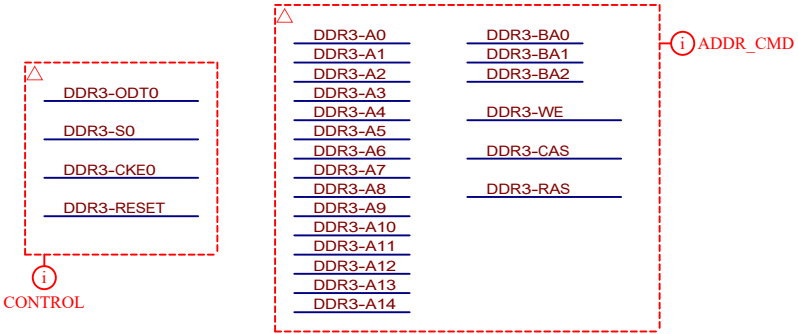
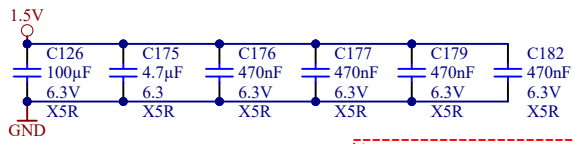
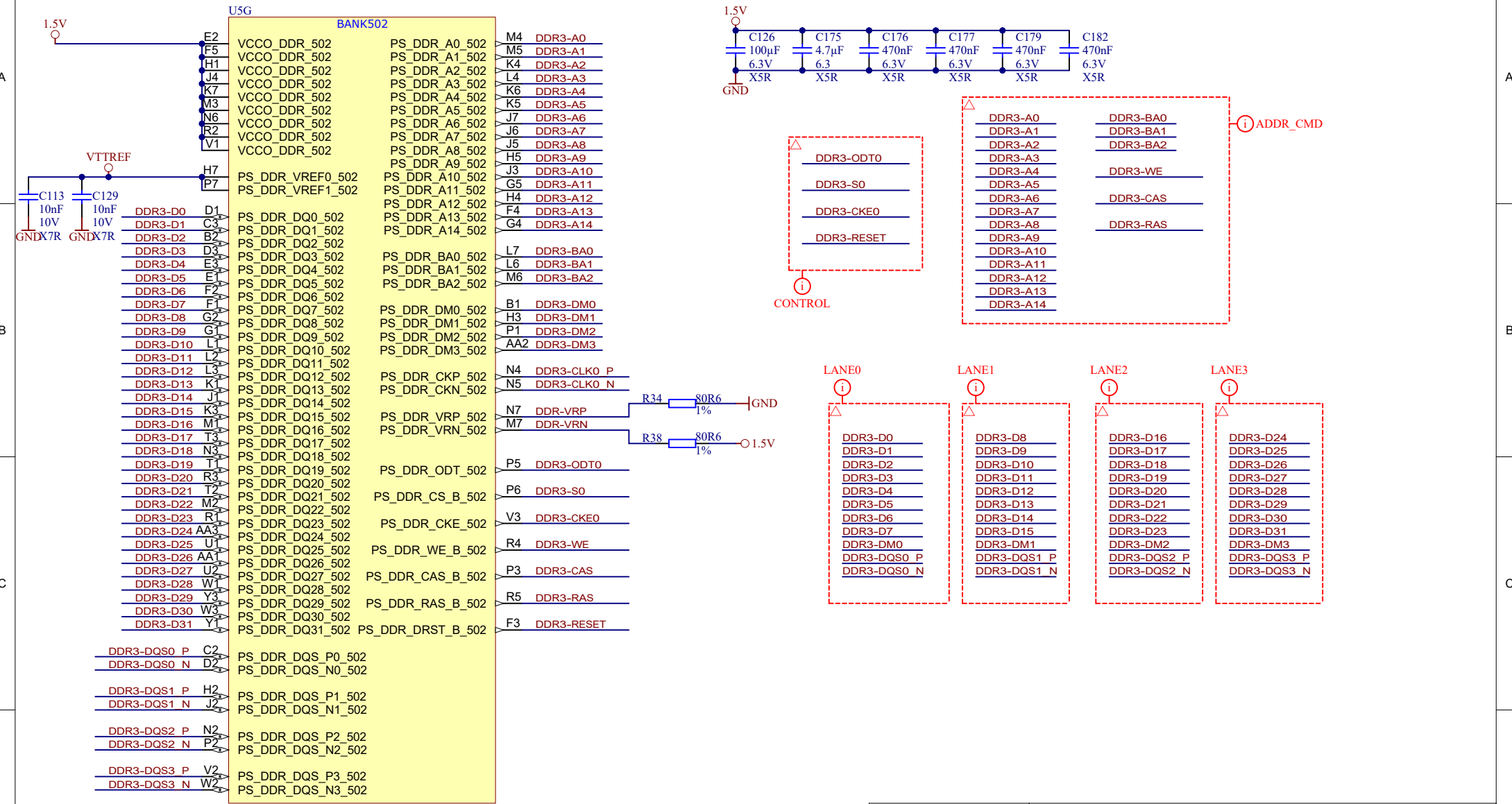
			Title: GigaZee - USB	
			A4	Number: TE0720 62I33FL
Date: 2015-10-12		Copyright: 2013 Trenz Electronic GmbH		Page 10 of 15
Filename: USB-PHY.SchDoc				



Title: GigaZee - eNAND		
A4	Number: TE0720 62I33FL	Rev. 03
Date: 2015-10-12	Copyright: 2013 Trenz Electronic GmbH	Page 11 of 15
Filename: eMMC.SchDoc		

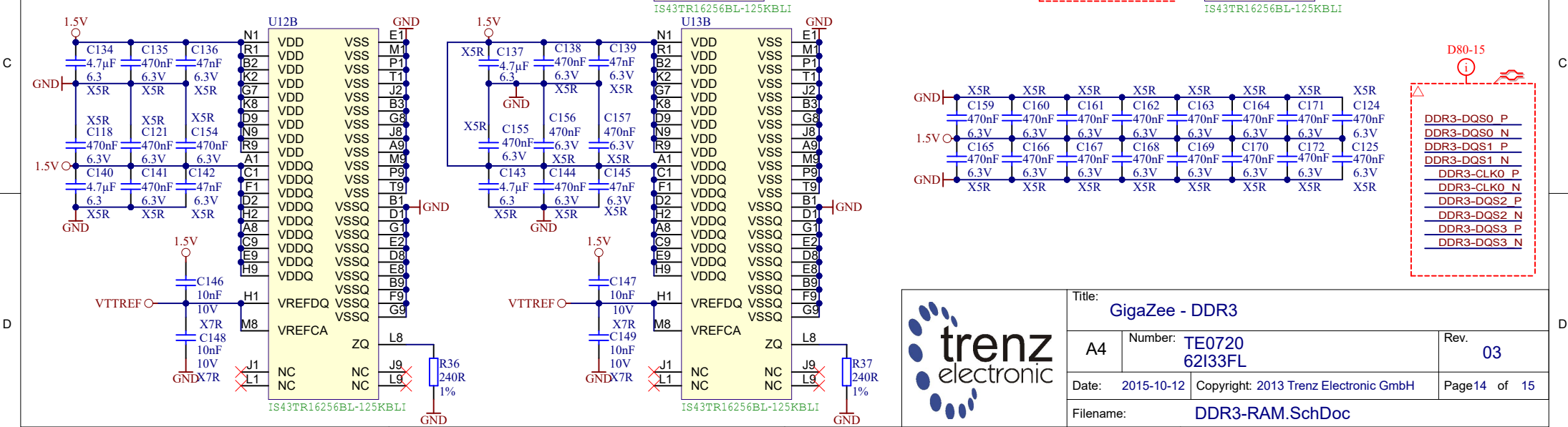
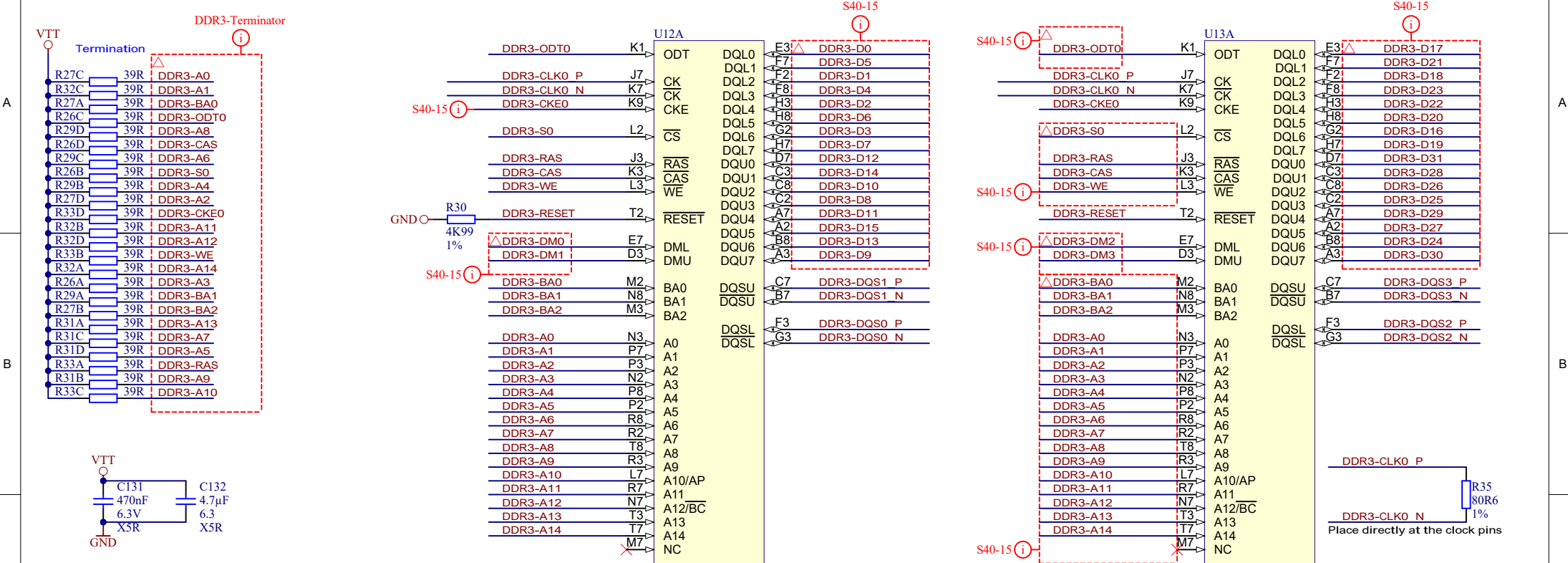


			Title: GigaZee - RTC, MEMS, SHA, MAC	
			A4	Number: TE0720 62I33FL
Date: 2015-10-12		Copyright: 2013 Trenz Electronic GmbH		Page 12 of 15
Filename: SENSOR-RTC.SchDoc				



trenz electronic

Title: GigaZee - B502		
A4	Number: TE0720 62I33FL	Rev. 03
Date: 2015-10-12	Copyright: 2013 Trenz Electronic GmbH	Page 13 of 15
Filename: PS-DDR.SchDoc		

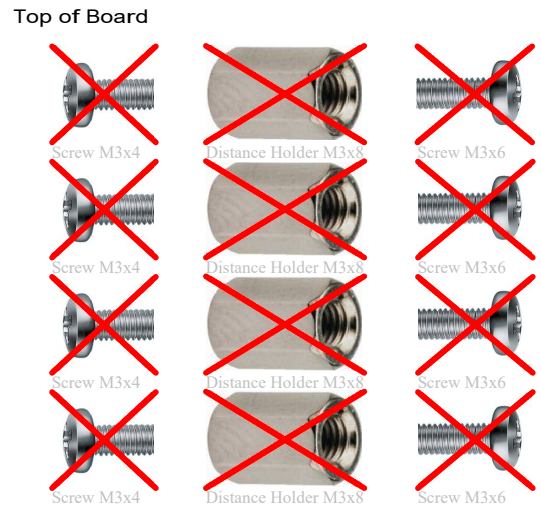
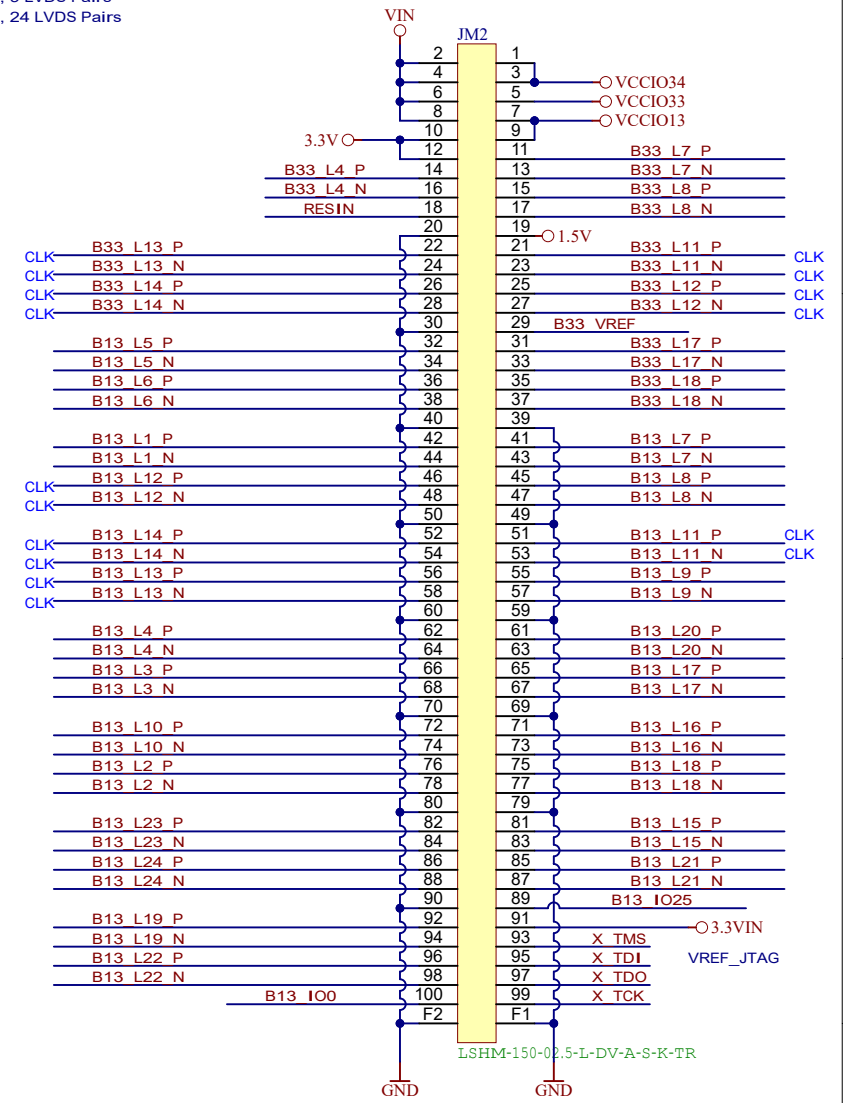
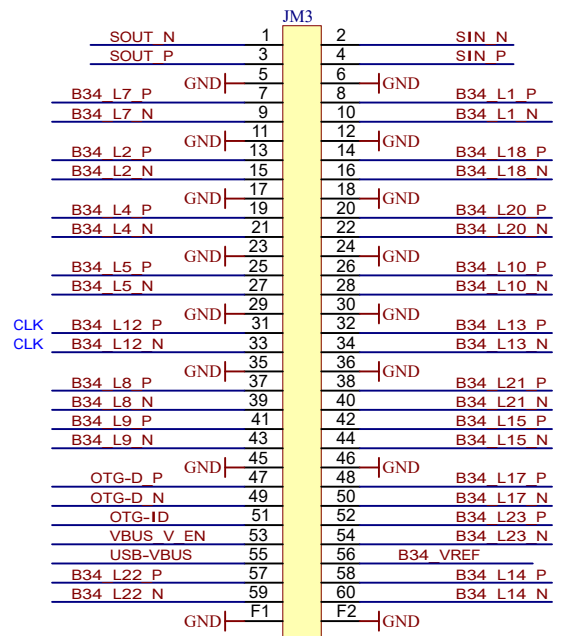
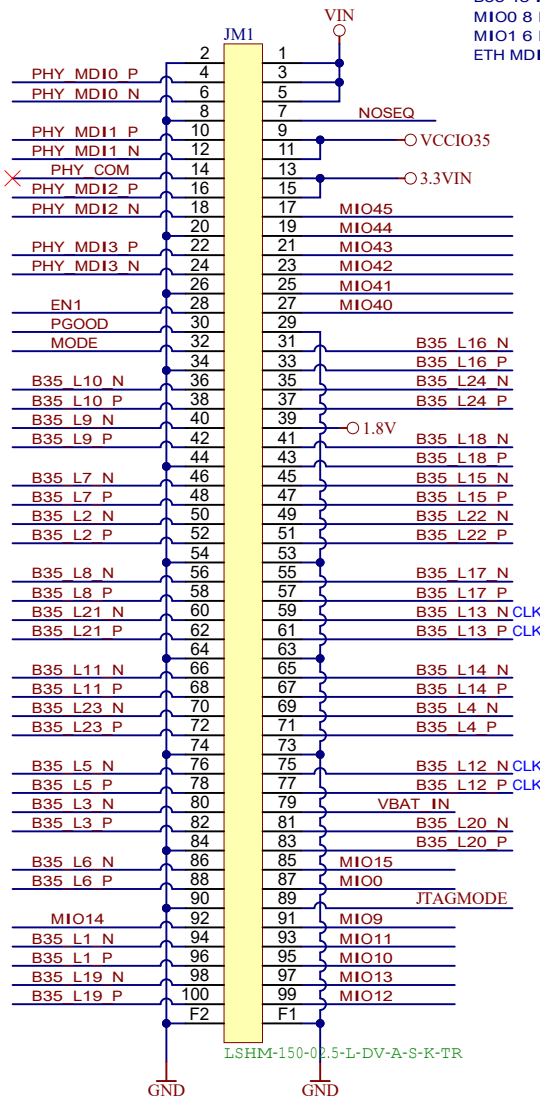


Title: GigaZee - DDR3		
A4	Number: TE0720 62I33FL	Rev. 03
Date: 2015-10-12	Copyright: 2013 Trenz Electronic GmbH	
Filename: DDR3-RAM.SchDoc		Page 14 of 15

B35 48 IO, 24 LVDS Pairs
 MIO0 8 IO, 3.3V
 MIO1 6 IO 1.8V
 ETH MDI Copper

B34 36 IO, 18 LVDS Pairs
 USB OTG
 ETH SGMII

B33 18 IO, 9 LVDS Pairs
 B13 48 IO, 24 LVDS Pairs
 B13 2 IO



Title: GigaZee - B2B Connector		
A4	Number: TE0720 62I33FL	Rev. 03
Date: 2015-10-12	Copyright: 2013 Trenz Electronic GmbH	Page 15 of 15
Filename: B2B-Connectors.SchDoc		