



Main

| | |
|---------------------------|------------------------|
| Range of Product | Modicon TM5 |
| Product or Component Type | Discrete output module |
| Discrete output number | 4 |
| Discrete output type | Relay |

Complementary

| | |
|-----------------------------------|--|
| Range Compatibility | PacDrive LMC motion controller |
| Product Compatibility | PacDrive LMC Pro 2 PacDrive LMC Eco PacDrive LMC Pro |
| Output voltage | 230 V AC 30 V DC |
| Output voltage limits | 184...276 V AC 24...36 V DC |
| Discrete output function | 4 NO |
| Current per channel | 5 A |
| Maximum current per output common | 10 A |
| Color | Black |
| Response time | <= 10 ms from state 0 to state 1 output <= 10 ms from state 1 to state 0 output |
| Protection Type | Reverse polarity protection Without short-circuit protection Without overload protection |
| Isolation | No insulation between channels 500 Vrms AC insulation between channel and bus |
| Mechanical durability | 20000000 cycles |
| Electrical durability | 500000 cycles 5 A |
| Current consumption | 160 mA 5 V DC bus |
| Maximum power dissipation in W | 2.3 W |
| Marking | CE |
| Net Weight | 0.06 lb(US) (0.025 kg) |

The information provided in this documentation contains general descriptions and/or technical characteristics of the performance of the products contained herein. This documentation is not intended as a substitute for and is not to be used for determining suitability or reliability of these products for specific user applications. It is the duty of any such user or integrator to perform the appropriate and complete risk analysis, evaluation and testing of the products with respect to the relevant specific application or use thereof. Neither Schneider Electric Industries SAS nor any of its affiliates or subsidiaries shall be responsible or liable for misuse of the information contained herein.

Environment

| | |
|---------------------------------------|---|
| Standards | CSA C22.2 No 213 UL 508 IEC 61131-2 CSA C22.2 No 142 |
| Product Certifications | CSA CULus GOST-R C-tick |
| Ambient air temperature for operation | 14...131 °F (-10...55 °C) without derating horizontal installation) 14...140 °F (-10...60 °C) with derating factor horizontal installation) 14...122 °F (-10...50 °C) vertical installation) |
| Ambient Air Temperature for Storage | -40...158 °F (-40...70 °C) |
| Relative Humidity | 5...95 % without condensation |
| IP degree of protection | IP20IEC 61131-2 |
| Pollution degree | 2 IEC 60664 |
| Operating altitude | 0...6561.68 ft (0...2000 m) |
| Storage altitude | 0.00...9842.52 ft (0...3000 m) |
| Vibration resistance | 1 gn 8.4...150 Hz DIN rail 3.5 mm 5...8.4 Hz DIN rail |
| Shock resistance | 15 gn 11 ms |
| Electromagnetic compatibility | Electrostatic discharge immunity test, 4 kV on contact EN/IEC 61000-4-2 Electrostatic discharge immunity test, 8 kV in air EN/IEC 61000-4-2 Susceptibility to electromagnetic fields, 1 V/m 2...2.7 GHz EN/IEC 61000-4-3 Susceptibility to electromagnetic fields, 10 V/m 80...2000 MHz EN/IEC 61000-4-3 Electrical fast transient/burst immunity test, 1 kV I/O EN/IEC 61000-4-4 Electrical fast transient/burst immunity test, 1 kV shielded cable EN/IEC 61000-4-4 Electrical fast transient/burst immunity test, 2 kV power lines EN/IEC 61000-4-4 1.2/50 µs shock waves immunity test, 0.5 kV differential mode EN/IEC 61000-4-5 1.2/50 µs shock waves immunity test, 1 kV common mode EN/IEC 61000-4-5 Conducted RF disturbances EN/IEC 61000-4-6 Conducted and radiated emissions CISPR 11 |



Ordering and shipping details

| | |
|-----------------------|------------------|
| Category | 22532 - M258 PLC |
| Discount Schedule | PC12 |
| GTIN | 3595864074696 |
| Nbr. of units in pkg. | 1 |
| Package weight(Lbs) | 1.62 oz (46 g) |
| Returnability | Yes |
| Country of origin | AT |

Packing Units

| | |
|------------------------|-------------------|
| Unit Type of Package 1 | PCE |
| Package 1 Height | 0.79 in (2 cm) |
| Package 1 width | 2.36 in (6 cm) |
| Package 1 Length | 4.13 in (10.5 cm) |

Offer Sustainability

| | |
|---------------------------|---|
| Sustainable offer status | Green Premium product |
| California proposition 65 | WARNING: This product can expose you to chemicals including: Lead and lead compounds, which is known to the State of California to cause cancer and birth defects or other reproductive harm. For more information go to www.P65Warnings.ca.gov |
| REACH Regulation |  REACH Declaration |
| REACH free of SVHC | Yes |
| EU RoHS Directive | Pro-active compliance (Product out of EU RoHS legal scope)  EU RoHS Declaration |
| Toxic heavy metal free | Yes |

| | |
|-----------------------------|--|
| Mercury free | Yes |
| RoHS exemption information | Yes |
| China RoHS Regulation | China RoHS Declaration |
| Environmental Disclosure | Product Environmental Profile |
| Circularity Profile | End Of Life Information |
| WEEE | The product must be disposed on European Union markets following specific waste collection and never end up in rubbish bins. |
| PVC free | Yes |
| Contractual warranty | |
| Warranty | 18 months |

TM5 Slice

Dimensions

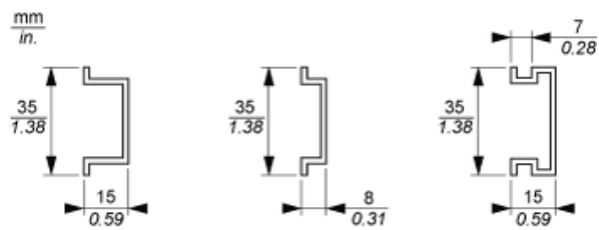


TM5 System

Spacing Requirements



Mounting on a DIN Rail



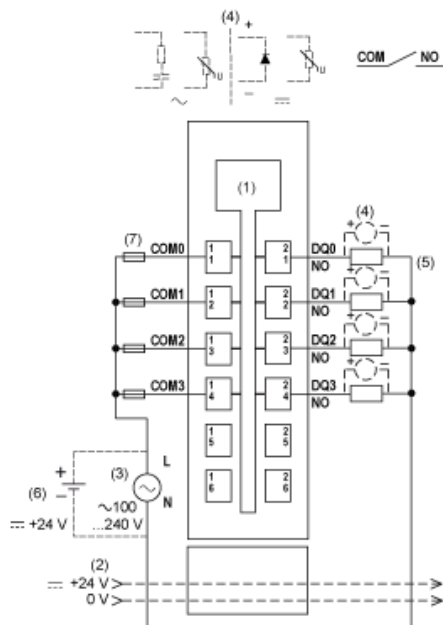
TM5 System Wiring Recommendations

Wire Sizes to Use with the Removable Spring Terminal Blocks

| mm in. |  |  |  |  |
|-----------------|---|---|---|---|
| mm ² | 0,08...2,5 | 0,25...2,5 | 0,25...1,5 | 2 x 0,25...2 x 0,75 |
| AWG | 28...14 | 24...14 | 24...16 | 2 x 24...2 x 18 |

Electronic Module 4DO 30 Vdc / 230 Vac 5 A Relay N/O

Wiring Diagram



- (1) Internal electronics
- (2) 24 Vdc I/O power segment integrated into the bus bases
- (3) External power supply 100...240 Vac
- (4) Inductive load protection
- (5) 2-wire load
- (6) External power supply 24 Vdc
- (7) External fuse type T slow-blow 5 A - 250 V