

3 PHASE INDICATOR



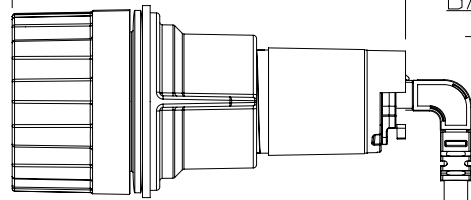
SINGLE PHASE INDICATOR



1.90 ϕ
[48.28]

1.44 [36.50] 2.66 [67.57]

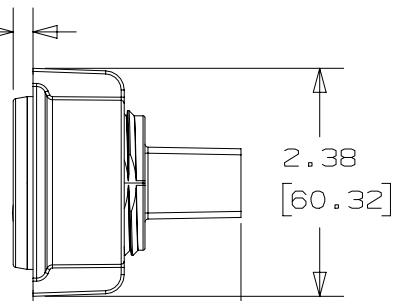
BATTERY POWERED INDICATOR



BATTERY-FREE INDICATOR (ONLY SINGLE PHASE IS SHOWN)

BATTERY-FREE INDICATOR

0.21 [5.25]



2.38 [60.32]

2.17 [55.02] BEHIND PANEL

VS2 SYSTEM CABLE

1.76 ϕ [44.63]

5.18 [131.70]

1.43 [36.25]

0.74 [18.83]

2.81 [71.37]

LEAD WIRES EXIT HERE (SEE NOTE 3)

1.68 [42.57]

INDICATOR MODULE (SYSTEM CABLES)

ABSENCE OF VOLTAGE OUTPUTS

DC POWER IN (OPT.) (SEE NOTE 4)

SEE NOTE 2

3.64 [92.37]

4.32 [109.80]

5.33 [135.38]

2.65 [67.31]

PANEL INSTRUCTION LABEL

3.20 [81.28]

ISOLATION MODULE

UNIT MOUNTING LOCATIONS MARKED 'A' (SEE NOTE 1)
VS2-NET ATTACHMENT POINTS MARKED 'B'

0.08 [2.03]

30MM PANEL KNOCK-OUT

1.20 ϕ [30.48]

NOTES:

1. Mount for #4 or #6 Pan Head Screw, 3 Places, Min.
2. DIN Rail Mounting Feature
3. Lead Wires, QTY 6 or 8 - 14 AWG (2.08mm²)
4. Mating Connector Included. (VS2-NET connection if used)

READ PRODUCT INSTRUCTIONS BEFORE USING

PANDUIT PART NUMBER:

PART NUMBER	FOR USE IN	INDICATOR MODULE	SYSTEM CABLE LENGTH	CARTON WEIGHT
VS2-AVT-3PB-02	3 PHASE AC SYSTEMS	BATTERY POWERED	2 FT. (.6m)	4 lbs (1.82kg)
VS2-AVT-3PB-08			8 FT (2.4m)	4.2 lbs (1.91kg)
VS2-AVT-3PB-16			16 FT. (4.8m)	4.5 lbs (2.05 kg)
VS2-AVT-3PF-02		BATTERY FREE	2 FT. (.6m)	3.9 lbs (1.78kg)
VS2-AVT-3PF-08			8 FT (2.4m)	4.2 lbs (1.91kg)
VS2-AVT-3PF-16			16 FT. (4.8m)	4.4 lbs (2 kg)
VS2-AVT-1PB-02	1 PHASE OR DC SYSTEMS	BATTERY POWERED	2 FT. (.6m)	4 lbs (1.82kg)
VS2-AVT-1PB-08			8 FT (2.4m)	4.2 lbs (1.91kg)
VS2-AVT-1PB-16			16 FT. (4.8m)	4.4 lbs (2 kg)
VS2-AVT-1PF-02		BATTERY FREE	2 FT. (.6m)	3.9 lbs (1.78kg)
VS2-AVT-1PF-08			8 FT (2.4m)	4.2 lbs (1.91kg)
VS2-AVT-1PF-16			16 FT. (4.8m)	4.4 lbs (2 kg)

GENERAL SPECIFICATIONS:

Voltage detection Range: Up to 1000VAC (50/60Hz), 1000VDC
Overvoltage Category: CAT III (1000V); CAT IV (600V)
Degree of Protection: Type (UL, NEMA, CSA) 1, 12,4, 4X, 13, IP66, IP67, IP69**

Environmental

Operating Temperature: -25°C to +60°C (-13°F to 140°F)
Storage Temperature: -45°C to +85°C (-49°F to +185°F)
Humidity: 5 to 90% non-condensing; Rated 80% at 40°C, decreasing linearly to 50% at 60°C
Pollution Degree: 3
Altitude: Up to 5000 meters

Power Requirements:

Battery: 3.6V Lithium Battery
DC Power: 12-24VDC, 43mA @ 24V
PoE*: PoE (10/100), 15mA**

*Degree of Protection Specified is related to Indicator Module only.

**Battery - Free Indicator module only

***VS2-NET is required to use PoE

TITLE VERISAFE 2.0 ABSENCE OF VOLTAGE TESTER		CUSTOMER DRAWING	
ITEM REVISION NAME 18I216AX/01	PANDUIT		
DATASET FILE NAME 18I216AX_DC/00			
UNLESS OTHERWISE SPECIFIED, DIMENSIONAL TOLERANCES ARE: IN [mm]		MATERIAL: N/A	
.x : .03 [.75]	.xxx : .010 [.25]	DRAWING NUMBER: 18I216AX_DC	
.xx : .02 [.50]	ANGLES : 5 °	THIRD ANGLE PROJECTION	
DRAWN BY DFA	DATE 4/1/22	CHK MSAD	SCALE NONE
SHT 1 OF 1		SIZE B	

REV	DATE	BY	CHK	APR	DESCRIPTION	ECN
0	4/1/22	DFA	STMP	MSAD	INITIAL RELEASE	GAECN06496