

NOTES:

- ① MAT'L: COPPER (STOCK TKN. $\frac{.028}{.71}$)
- ② PLATING: ELECTRO TIN (.0003 MIN) TIN-PLATED BRASS FUNNEL FERRULE
- ③ NYLON INSULATION (COLOR CODED RED)

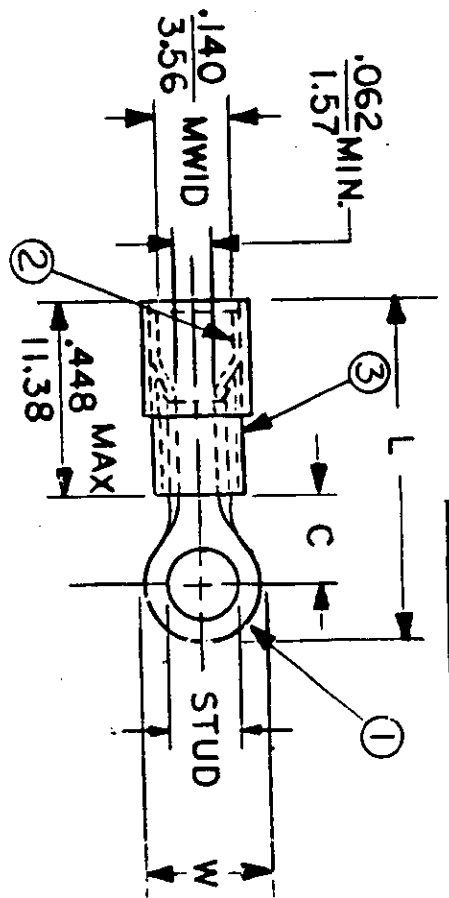
STUD SIZES: ($\pm .005$)

- 02 = .094
- 04 = .119
- 06 = .146
- 08 = .173
- 10 = .198
- 14 = .265
- 56 = .328
- 38 = .390

"UL" LISTING #E32244
 "CSA" LISTING #18689

ALL DIMENSIONS = $\frac{\text{INCHES}}{\text{MM}}$

WIRE SIZE: 22-18 AWG²
 .25-1.5 MM²



(MWID) = DENOTES MAXIMUM WIRE INSULATION DIAMETER

PART NUMBER	"W" ±.010	"C" MIN.	"L" MAX.	REFERENCE	SCALE:	NTS	DATE	TITLE:	AVAILABLE STUD SIZES	
									04, 06, 08, 10	
A-533-	$\frac{.273}{6.93}$	$\frac{.240}{6.10}$	$\frac{.864}{21.95}$							

DIMENSIONAL TOLERANCES UNLESS OTHERWISE SPECIFIED

FRAC.	DEC.	ANG.
±	±	±
SCALE:	NTS	DATE
DRWN. BY:	GZ	11-13-84
CHKD. BY:		12-5-84
APPRD. BY:		

RING TONGUE TERMINAL AVIKRIMP 500-SERIES



DWG. NO. A CUSTOMER DWG