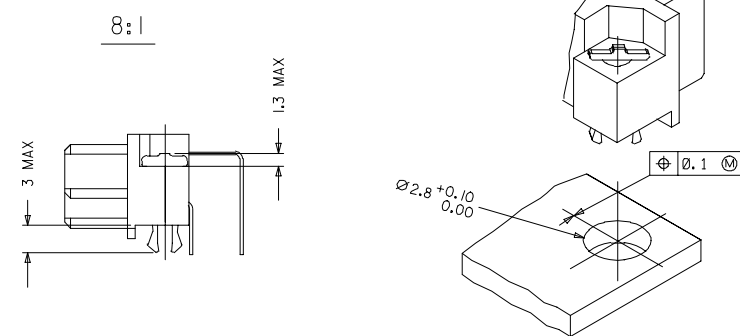
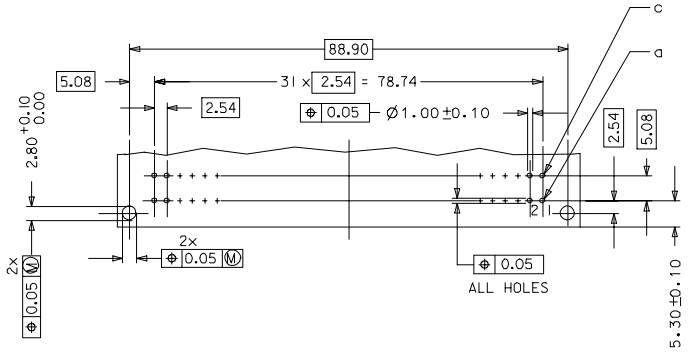


WITH MOUNTING CLIPS



- NOTES:
- MATERIALS: THERMOPLASTIC POLYESTER, GLASS FILLED, UL94V-0, COLOUR: PEBBLE GREY RAL 7032
TERMINAL - PHOSPHOR BRONZE
MOUNTING CLIP: STEEL
 - FINISH: TERMINAL:-
CONTACT AREA
1. PERFORMANCE LEVEL 1: SELECTIVE GOLD (Au), THICKNESS = 1.1 MICROMETER OVER NICKEL, THICKNESS = 1.25 MICROMETER
2. PERFORMANCE LEVEL 2: SELECTIVE GOLD (Au), THICKNESS = 0.6 MICROMETER OVER NICKEL, THICKNESS = 1.25 MICROMETER
3. PERFORMANCE LEVEL 3: SELECTIVE GOLD (Au), THICKNESS = 0.3 MICROMETER OVER NICKEL, THICKNESS = 1.25 MICROMETER
TERMINATION AREA: SELECTIVE TIN, THICKNESS = 2.5 MICROMETER OVER NICKEL, THICKNESS = 1.25 MICROMETER OVERALL
 - MOUNTING CLIP:-
TIN (Sn), THICKNESS = 5-10 MICROMETER, OVER NICKEL (Ni), THICKNESS = 2.5 MICROMETER
 - FOR NON MOUNTING CLIP OPTION, CONNECTOR TO BE SECURED WITH RIVETS: 2 TUBULAR RIVETS 2.5 x 0.3 ... DIN 7340
SCREWS: CHEESEHEAD SCREWS M2.5 x DIN 84 AND 2 HEXAGONAL NUTS M 2.5 DIN 934
 - MATERIAL No, BATCH CODE, UL AND CSA MARKING TO BE PRINTED ON CONNECTOR
 - CUT FACE OF TIP WITHOUT PLATING PERMITTED
 - PRODUCT SPECIFICATION : PS-36509-001

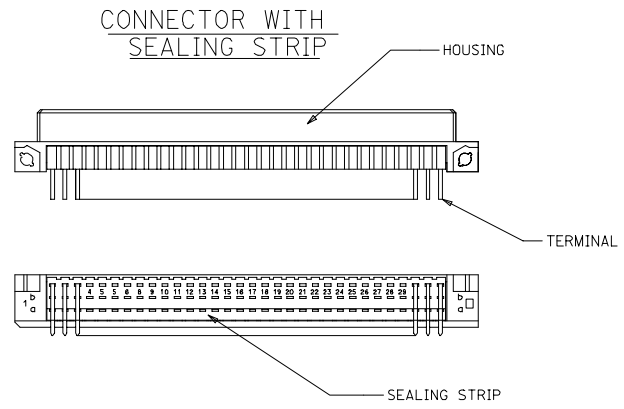
RECOMMENDED PCB LAYOUT
COMPONENT SIDE



RoHS COMPLIANT

EC No: P007-0044 DRWNGSATTI/MARAD 2006/10/10 CHKD/SSDHR 2006/10/11 APPR/SSDHR 2006/10/16 REV D1	QUALITY SYMBOLS ▽=0 ▽=0	GENERAL TOLERANCES (UNLESS SPECIFIED) mm INCH		DIMENSION STYLE MM ONLY	SCALE 2:1	DESIGN UNITS METRIC	THIRD ANGLE PROJECTION	
		4 PLACES ± 0.15 3 PLACES ± 0.05 2 PLACES ± 0.1 1 PLACE ± 0.15	± 0.15 ± 0.05 ± 0.1 ± 0.15	DRAWN BY SS CHECKED BY GJLOWE APPROVED BY GJLOWE DATE 1999/10/08	DATE 1999/10/08 DATE 1999/10/08 DATE 1999/10/08	TITLE ASSEMBLY, DIN41612 R FEMALE, 64 POS A+C LOADED	MOLEX INCORPORATED	MATERIAL NO. SEE CHART

MATERIAL No	MOLEX ENG No	PERF LEVEL	PLATING	CONTACT SEQUENCE/ROW	MOUNTING CLIP	SEALING STRIP
36509-0025	MM-B2400-R963	1	Au+Ni	1,2,3....32 a+c	NO	NO
36509-0026	MM-B2500-R963	2	Au+Ni	1,2,3....32 a+c	NO	NO
36509-0027	MM-B2600-R963	3	Au+Ni	1,2,3....32 a+c	NO	NO
36509-0031	MM-B2400-R913	1	Au+Ni	1,2,3....32 a+c	YES	NO
36509-0032	MM-B2500-R913	2	Au+Ni	1,2,3....32 a+c	YES	NO
36509-0033	MM-B2600-R913	3	Au+Ni	1,2,3....32 a+c	YES	NO
36509-0037	MM-B2400-R963-101	1	Au+Ni	1,2,3....32 a+c	NO	YES
36509-0038	MM-B2500-R963-101	2	Au+Ni	1,2,3....32 a+c	NO	YES
36509-0039	MM-B2600-R963-101	3	Au+Ni	1,2,3....32 a+c	NO	YES
36509-0043	MM-B2400-R913-101	1	Au+Ni	1,2,3....32 a+c	YES	YES
36509-0044	MM-B2500-R913-101	2	Au+Ni	1,2,3....32 a+c	YES	YES
36509-0045	MM-B2600-R913-101	3	Au+Ni	1,2,3....32 a+c	YES	YES



RoHS COMPLIANT

EC No: 2007/0044 DRAWING: DRWNGSATTI/MARAD 2006/10/10 CHKD: CHKRS/SDHR 2006/10/11 APPR: APPR/SSDHR 2006/10/16	QUALITY SYMBOLS	GENERAL TOLERANCES (UNLESS SPECIFIED)	DIMENSION STYLE	SCALE	DESIGN UNITS	THIRD ANGLE PROJECTION																			
	$\nabla=0$ $\nabla=0$	<table border="1"> <thead> <tr> <th></th> <th>mm</th> <th>INCH</th> </tr> </thead> <tbody> <tr> <td>4 PLACES</td> <td>± 0.15</td> <td>± 0.005</td> </tr> <tr> <td>3 PLACES</td> <td>± 0.05</td> <td>± 0.002</td> </tr> <tr> <td>2 PLACES</td> <td>± 0.1</td> <td>± 0.004</td> </tr> <tr> <td>1 PLACE</td> <td>± 0.15</td> <td>± 0.006</td> </tr> </tbody> </table>		mm	INCH	4 PLACES	± 0.15	± 0.005	3 PLACES	± 0.05	± 0.002	2 PLACES	± 0.1	± 0.004	1 PLACE	± 0.15	± 0.006	MM ONLY	2:1	METRIC					
		mm	INCH																						
	4 PLACES	± 0.15	± 0.005																						
3 PLACES	± 0.05	± 0.002																							
2 PLACES	± 0.1	± 0.004																							
1 PLACE	± 0.15	± 0.006																							
<table border="1"> <tr> <td>DRAWN BY</td> <td>DATE</td> <td>TITLE</td> </tr> <tr> <td>SS</td> <td>1999/09/24</td> <td>ASSEMBLY, DIN41612 R FEMALE, 64 POS A+C LOADED</td> </tr> <tr> <td>CHECKED BY</td> <td>DATE</td> <td></td> </tr> <tr> <td>GJ LOWE</td> <td>1999/09/24</td> <td></td> </tr> <tr> <td>APPROVED BY</td> <td>DATE</td> <td></td> </tr> <tr> <td>GJ LOWE</td> <td>1999/09/24</td> <td></td> </tr> </table>	DRAWN BY	DATE	TITLE	SS	1999/09/24	ASSEMBLY, DIN41612 R FEMALE, 64 POS A+C LOADED	CHECKED BY	DATE		GJ LOWE	1999/09/24		APPROVED BY	DATE		GJ LOWE	1999/09/24		<table border="1"> <tr> <td>MATERIAL NO.</td> <td>DOCUMENT NO.</td> <td>SHEET NO.</td> </tr> <tr> <td>SEE CHART</td> <td>SD-36509-002</td> <td>2 OF 2</td> </tr> </table>	MATERIAL NO.	DOCUMENT NO.	SHEET NO.	SEE CHART	SD-36509-002	2 OF 2
DRAWN BY	DATE	TITLE																							
SS	1999/09/24	ASSEMBLY, DIN41612 R FEMALE, 64 POS A+C LOADED																							
CHECKED BY	DATE																								
GJ LOWE	1999/09/24																								
APPROVED BY	DATE																								
GJ LOWE	1999/09/24																								
MATERIAL NO.	DOCUMENT NO.	SHEET NO.																							
SEE CHART	SD-36509-002	2 OF 2																							
DRAFT WHERE APPLICABLE MUST REMAIN WITHIN DIMENSIONS		THIS DRAWING CONTAINS INFORMATION THAT IS PROPRIETARY TO MOLEX INCORPORATED AND SHOULD NOT BE USED WITHOUT WRITTEN PERMISSION		MOLEX INCORPORATED																					