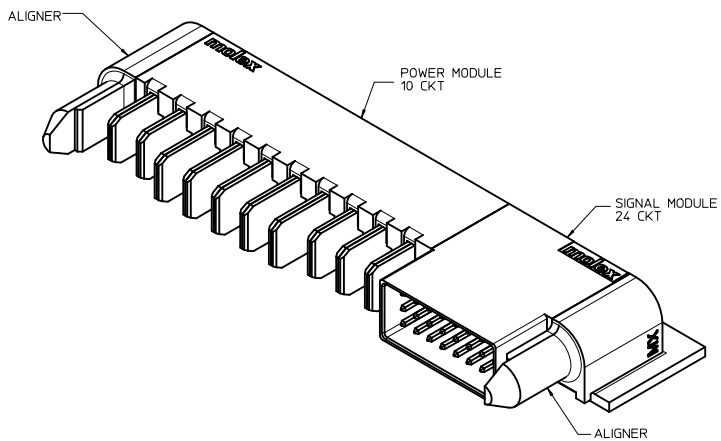
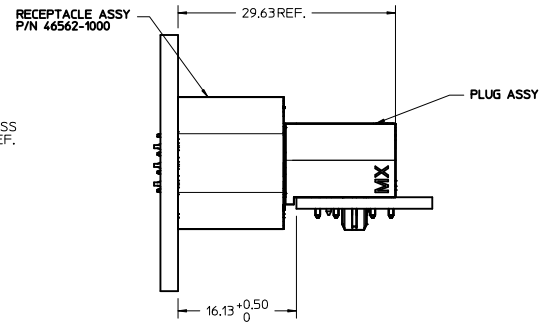
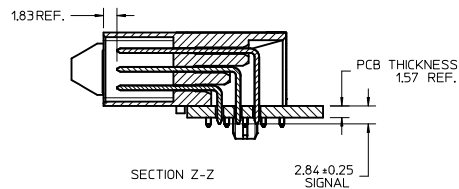
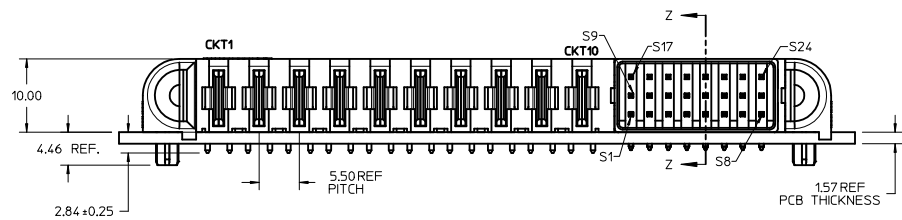


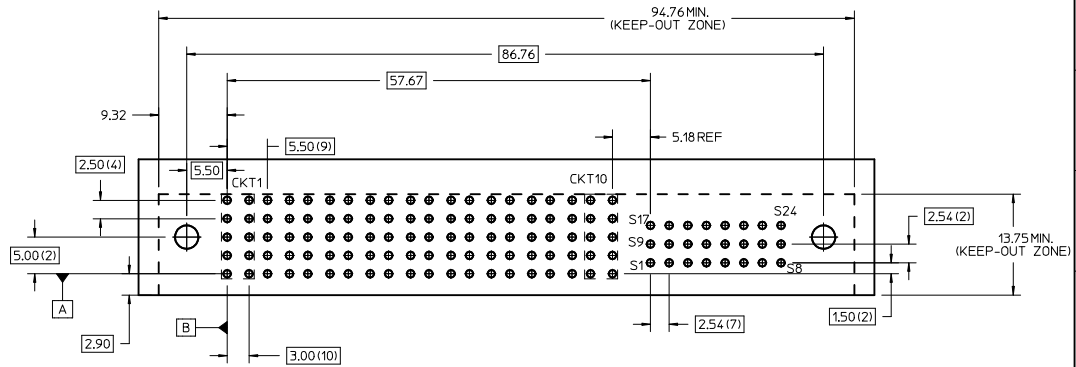
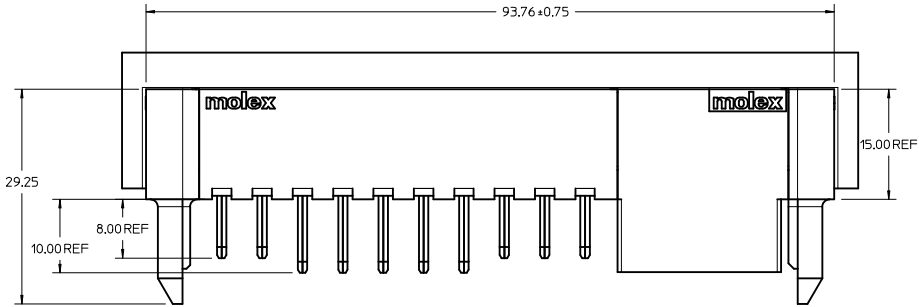
RECOMMENDED PCB LAYOUT AND PCB ZONE.



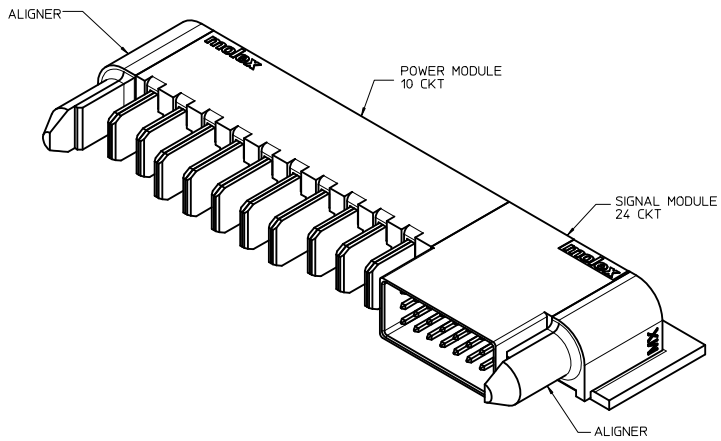
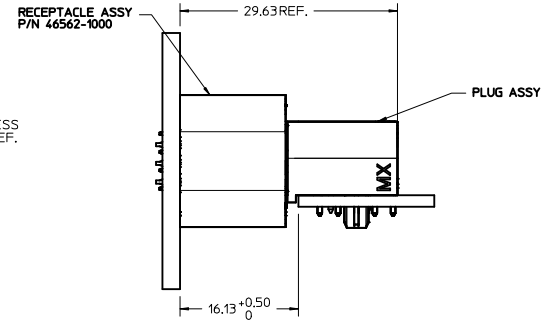
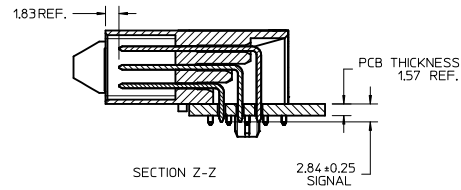
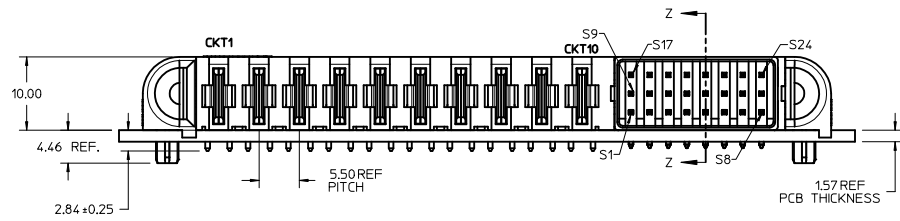
NOTES:

- MATERIAL:
 - HOUSINGS: LCP UL-94, V-0, COLOR: BLACK
 - TERMINALS: COPPER ALLOY
 - PLATING: .00127 NICKEL OVERALL WITH 0.00254 SELECTIVE TIN ON SOLDER TAILS AND 0.000762 SELECTIVE GOLD ON CONTACT AREA.
- PACKAGING: ASSEMBLIES TO BE TRAY PACKED, QTY TBD.
- PRODUCT SPEC: PS-46436-100.
- APPLICATION SPEC: AS-46436-100.
- PC BOARD REQUIRES SOLDER THRU HOLES, REFER TO PS-46436-100 FOR DETAILS.
- SEE PRODUCT SPEC FOR RoHS REQUIREMENTS.
- ASSEMBLY MATES TO MOLEX RECEPTACLES ASSEMBLY P/N: 46436-1006 (R/A ASSY) AND 46562-1000 (VERTICAL ASSY).

ALL SAME SIGN PINS EC NO: UCP2010-1976 DRAWN: BKOSTIC 2010/02/11 CHKD: 2010/02/11 APPR: APATEL 2010/02/12	QUALITY SYMBOLS	GENERAL TOLERANCES (UNLESS SPECIFIED)		DIMENSION STYLE MM ONLY		SCALE 3:1	DESIGN UNITS METRIC	THIRD ANGLE PROJECTION
		mm	INCH			DRAWN BY BKOSTIC	DATE 2010/02/03	TITLE RA PLUG ASSY 10P-24S TEN60 POWER FAMILY
		4 PLACES ± ---	± ---			CHECKED BY	DATE	MOLEX INCORPORATED MOLEX INCORPORATED
		3 PLACES ± ---	± ---			APPROVED BY	DATE	
	2 PLACES ± 0.13	± ---			MATERIAL NO. 46437-1116		DOCUMENT NO. SD-46437-1116	SHEET NO. 1 OF 1
	1 PLACE ± 0.25	± ---			DRAFT WHERE APPLICABLE MUST REMAIN WITHIN DIMENSIONS		THIS DRAWING CONTAINS INFORMATION THAT IS PROPRIETARY TO MOLEX INCORPORATED AND SHOULD NOT BE USED WITHOUT WRITTEN PERMISSION	



RECOMMENDED PCB LAYOUT AND PCB ZONE.



NOTES:

- MATERIAL:
 - HOUSINGS: LCP UL-94, V-0, COLOR: BLACK
 - TERMINALS: COPPER ALLOY
 - PLATING: .00127 NICKEL OVERALL WITH 0.00254 SELECTIVE TIN ON SOLDER TAILS AND 0.000762 SELECTIVE GOLD ON CONTACT AREA.
- PACKAGING: ASSEMBLIES TO BE TRAY PACKED, QTY TBD.
- PRODUCT SPEC: PS-46436-100.
- APPLICATION SPEC: AS-46436-100.
- PC BOARD REQUIRES SOLDER THRU HOLES, REFER TO PS-46436-100 FOR DETAILS.
- SEE PRODUCT SPEC FOR RoHS REQUIREMENTS.
- ASSEMBLY MATES TO MOLEX RECEPTACLES ASSEMBLY P/N: 46436-1006 (R/A ASSY) AND 46562-1000 (VERTICAL ASSY).

ALL SAME SIGN PINS EC NO: UCP2010-1976 DRAWN: BKOSTIC 2010/02/11 CHKD: 2010/02/11 APPR: APATEL 2010/02/12	QUALITY SYMBOLS	GENERAL TOLERANCES (UNLESS SPECIFIED)		DIMENSION STYLE MM ONLY		SCALE 3:1	DESIGN UNITS METRIC	THIRD ANGLE PROJECTION
		4 PLACES	± .005	± .005	DRAWN BY BKOSTIC	DATE 2010/02/03	TITLE RA PLUG ASSY 10P-24S TEN60 POWER FAMILY	
		3 PLACES	± .010	± .010	CHECKED BY	DATE	MOLEX MOLEX INCORPORATED	
		2 PLACES	± 0.13	± .010	APPROVED BY	DATE	MATERIAL NO. 46437-1116	DOCUMENT NO. SD-46437-1116
		1 PLACE	± 0.25	± .010	DRAFT WHERE APPLICABLE MUST REMAIN WITHIN DIMENSIONS		THIS DRAWING CONTAINS INFORMATION THAT IS PROPRIETARY TO MOLEX INCORPORATED AND SHOULD NOT BE USED WITHOUT WRITTEN PERMISSION	