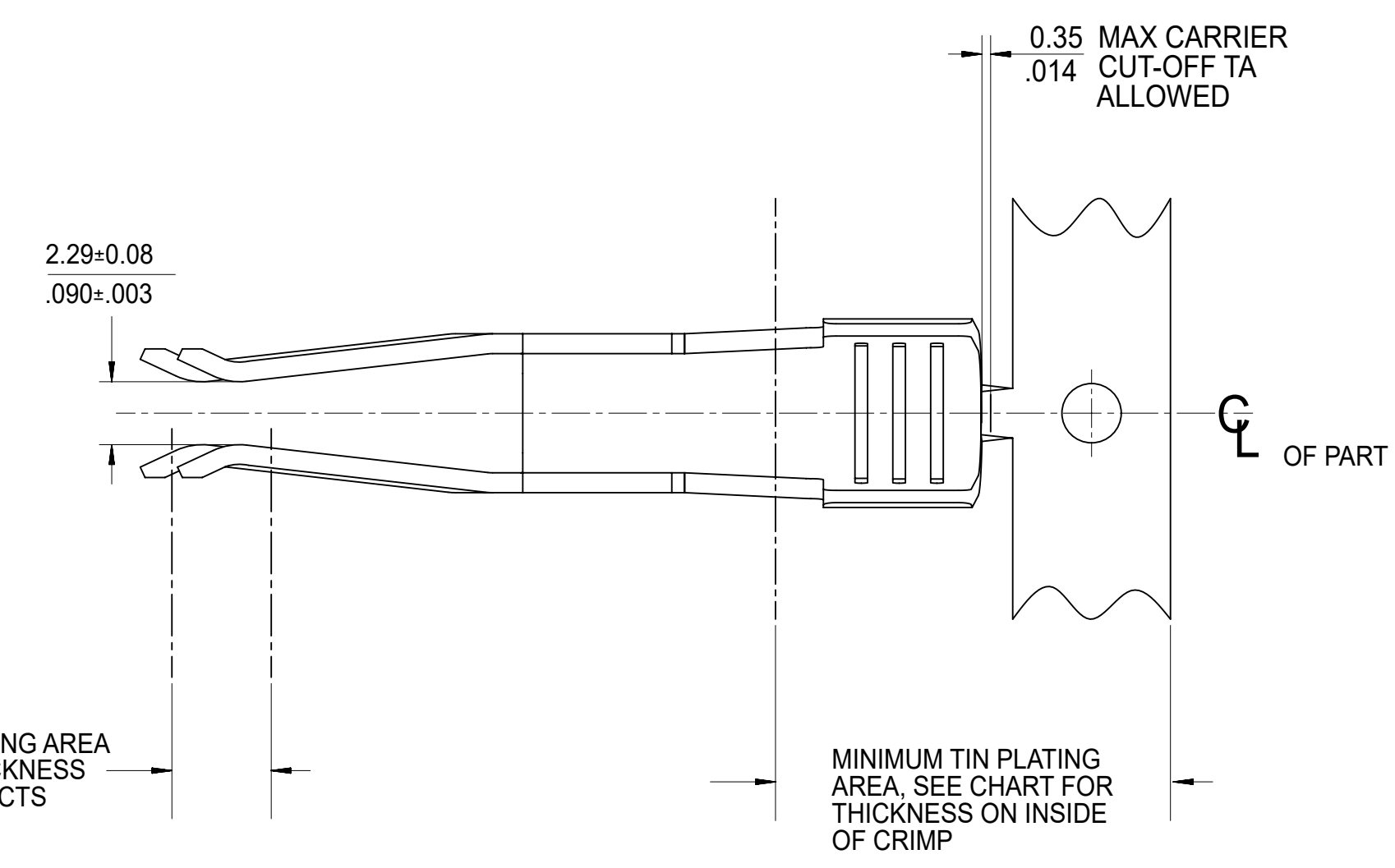
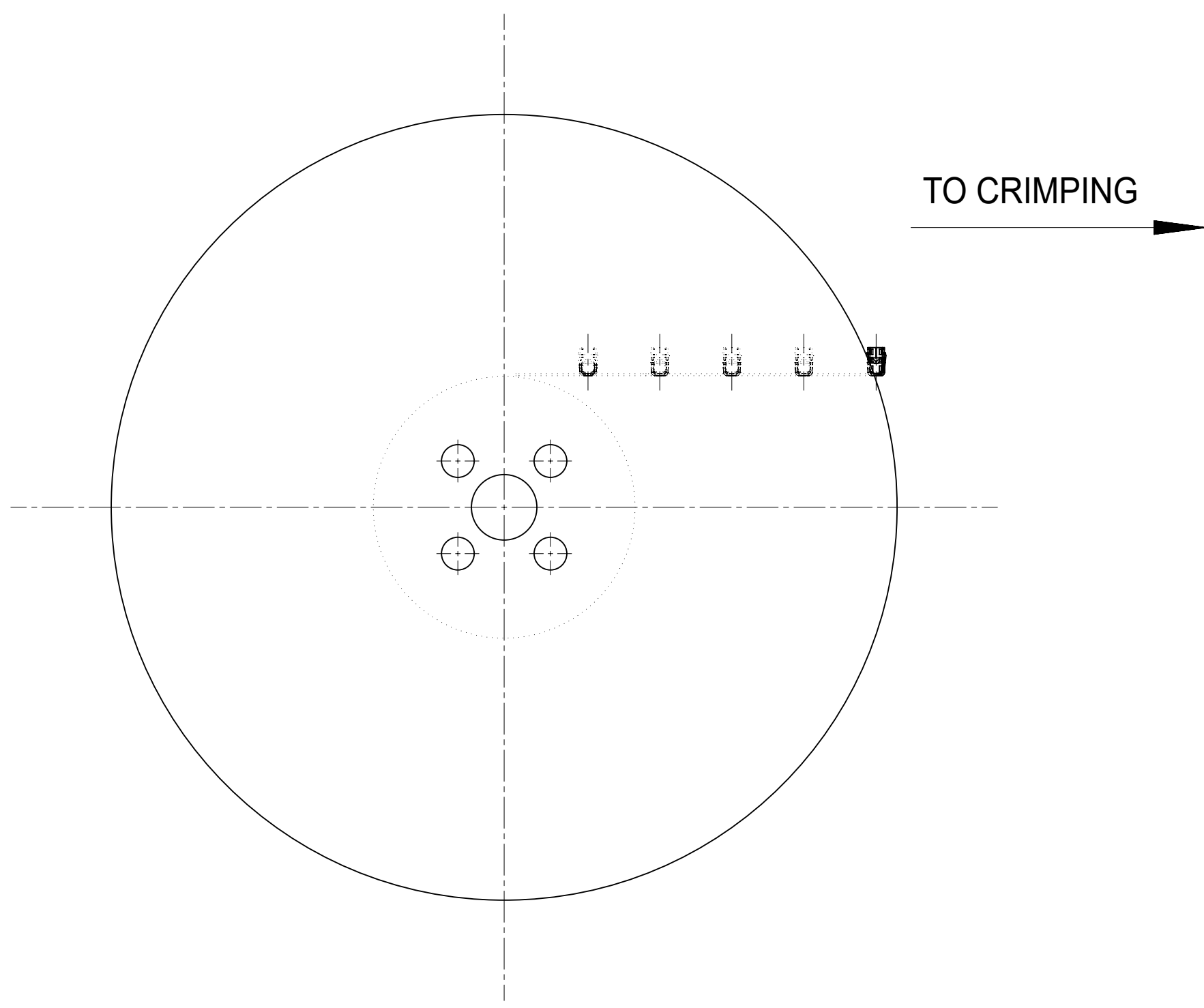
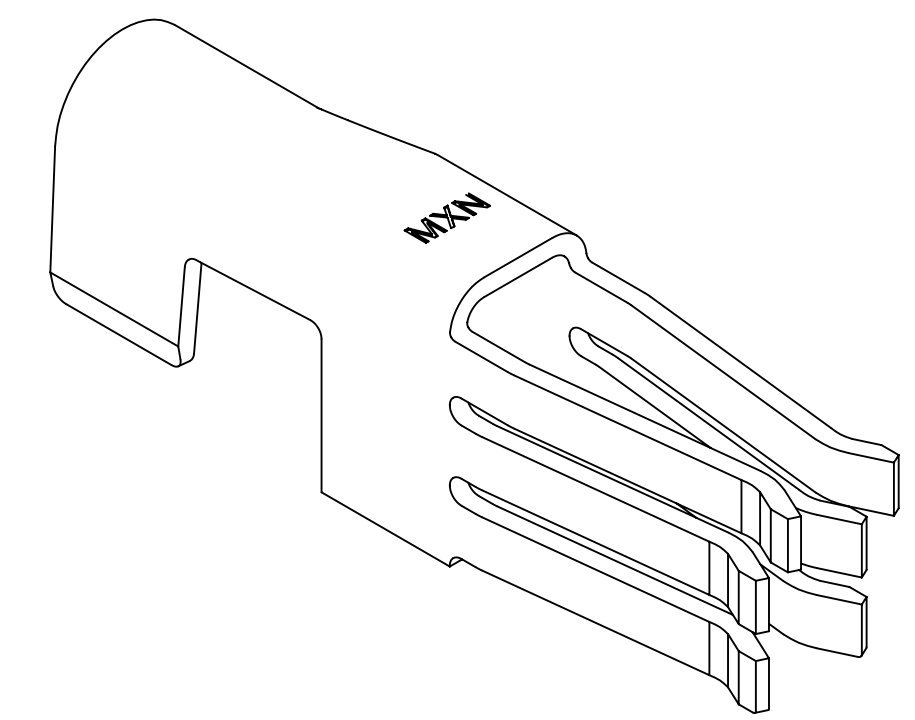
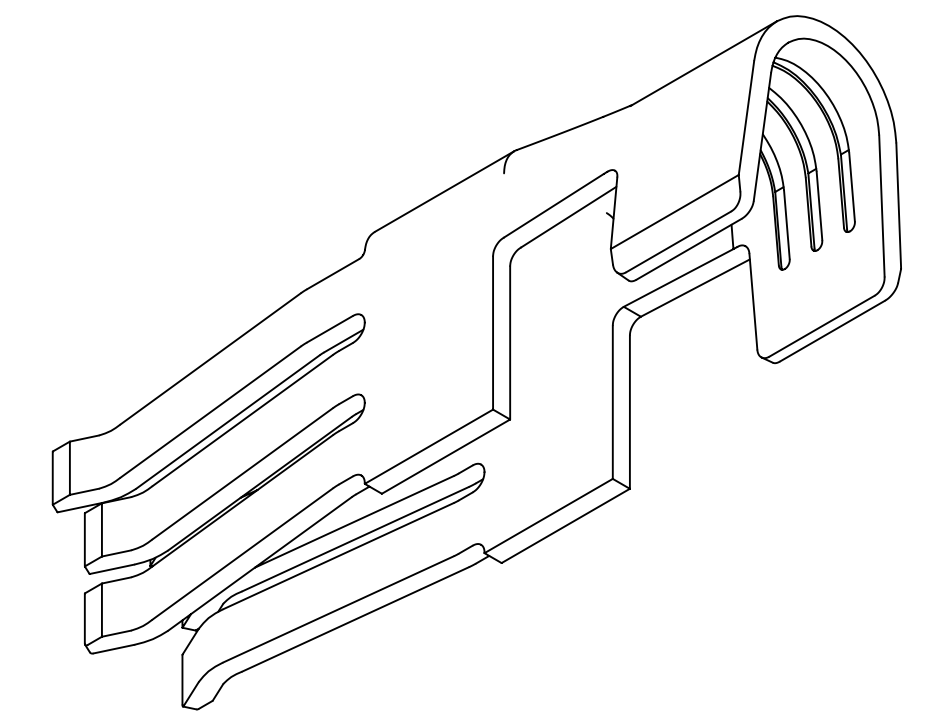
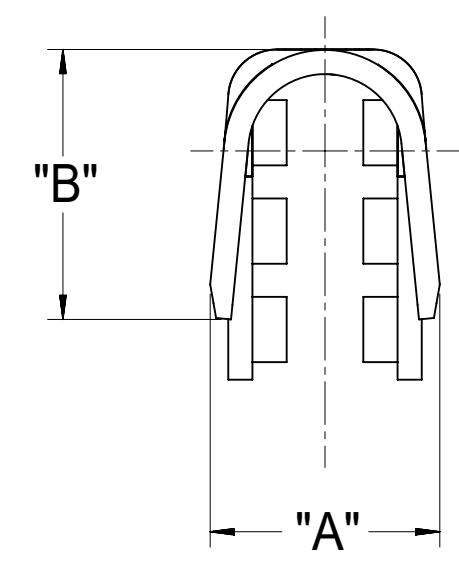
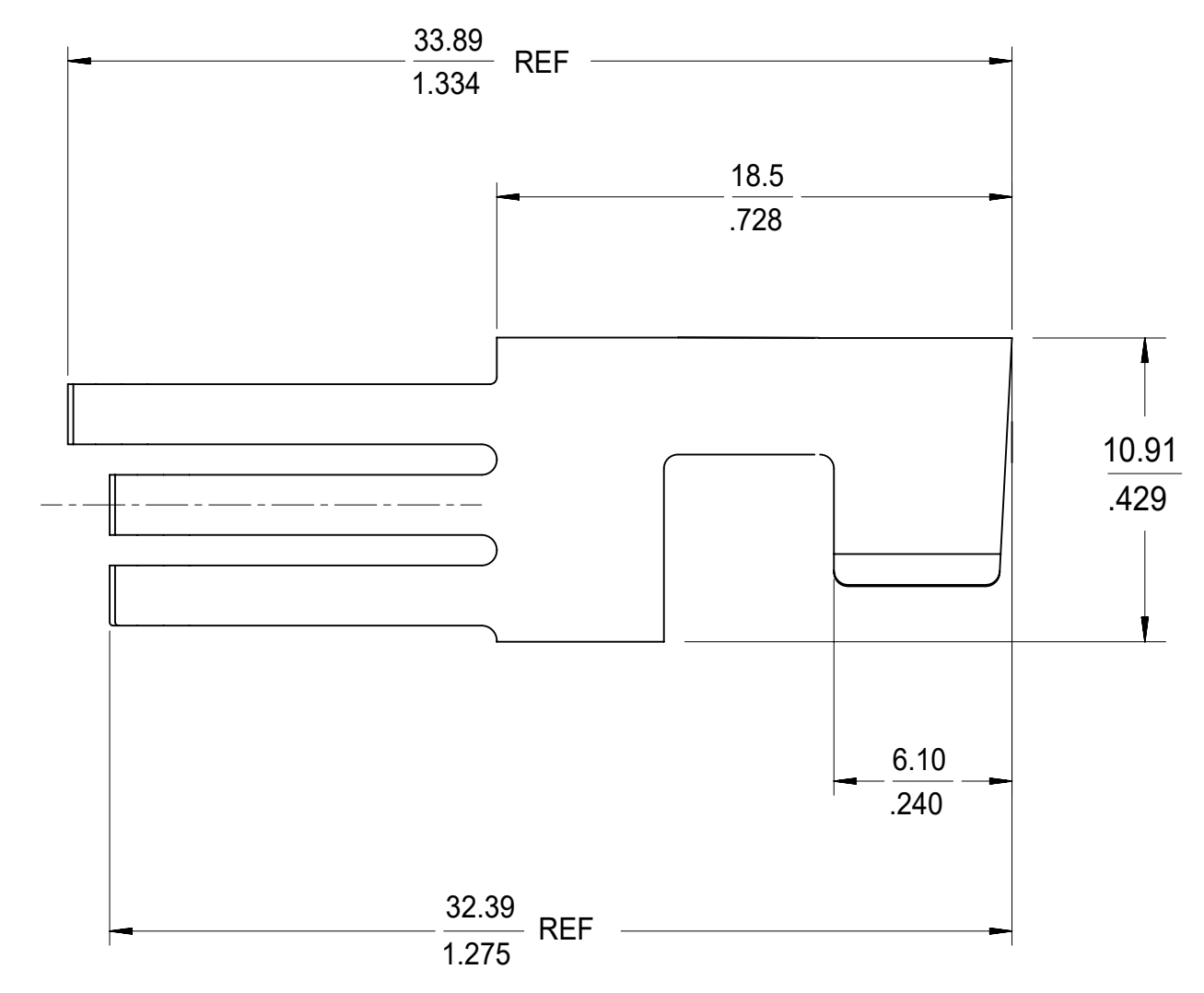
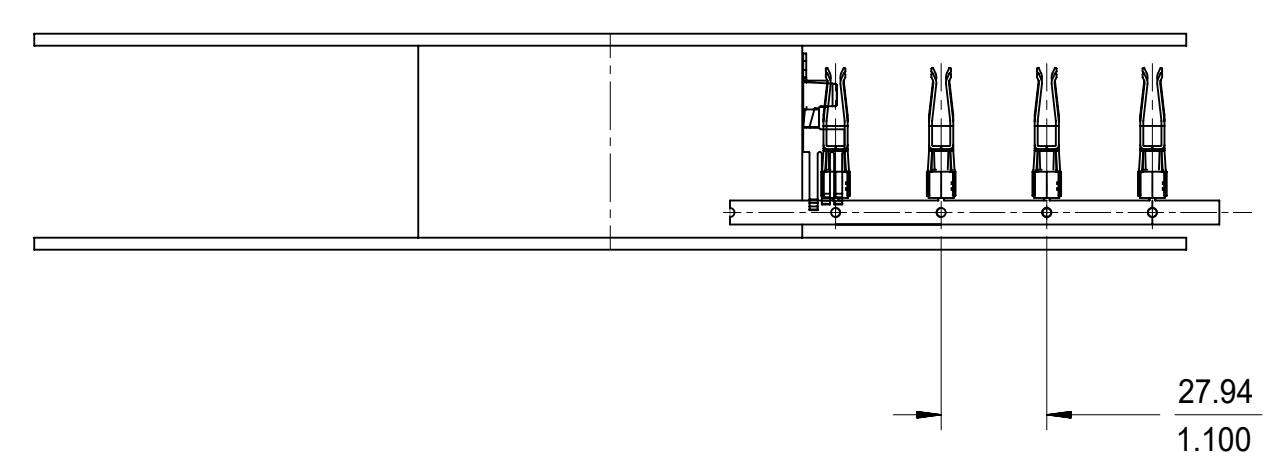


PART NUMBER	CRIMP SIZE	NUMBER OF TERMINALS PER REEL	PLATING	DIM "A" WIDTH	DIM "B" HEIGHT
46819-0012	8	900	100μ INCHES OF MATTE SELECT TIN OVER 50μ INCHES OF NICKEL OVERALL WITH 30μ INCHES OF SELECT GOLD	7.12 ± 0.25 .280 ± .010	7.84 ± 0.30 .309 ± .012
46819-0013	6	900		7.62 ± 0.25 .300 ± .010	8.92 ± 0.30 .350 ± .012

- NOTES:
- MATERIAL: COPPER ALLOY .80/.032 THICK
 - FINISH: PER MOLEX PLATING SPECIFICATION ES-88 - SEE CHART
 - FOR CRIMP TOOLING CONTACT MOLEX OR VISIT THE MOLEX WEBSITE AT: WWW.MOLEX.COM
 - SEE PRODUCT SPECIFICATION: PS-46819-001 FOR MORE INFORMATION
 - FOR CRIMP SET UP INFORMATION SEE MOLEX APPLICATION SPECIFICATION DOCUMENT:
6 AWG - ATS-638320600
8 AWG - ATS-638320700
 - DESIGNED TO MATE WITH MOLEX P/N 46817-****, 151035-****, 151053-****.
 - TERMINAL FOR USE WITH HOUSINGS 46818-000*, 170351-000*, 151034-00**
 - TERMINAL FOR USE WITH TPA 46821-0001, 151076-****



THIS DRAWING CONTAINS INFORMATION THAT IS PROPRIETARY TO MOLEX ELECTRONIC TECHNOLOGIES, LLC AND SHOULD NOT BE USED WITHOUT WRITTEN PERMISSION

DIMENSION UNITS mm/in	SCALE 4:1	CURRENT REV DESC:		molex					
GENERAL TOLERANCES (UNLESS SPECIFIED)		EC NO: 671147						GUARDIAN TERMINAL - HIGH POWER CRIMP CONTACT	
	MM	INCH	DRWN: GSHARMA	2021/07/19	PRODUCT CUSTOMER DRAWING				
4 PLACES	±	±	CHK'D: GSHARMA	2021/07/22	DOCUMENT NUMBER				
3 PLACES	±	± 0.005	APPR: HTHYAGARAJ	2021/07/26	DOC TYPE				
2 PLACES	±	0.13	INITIAL REVISION:		DOC PART				
1 PLACE	±	0.25	DRWN: JQUILES	2009/03/09	REVISION				
0 PLACES	±	±	APPR: APATEL	2009/03/10	SD-46819-001				
ANGULAR TOL	±	0.5 °	DRAFT WHERE APPLICABLE MUST REMAIN WITHIN DIMENSIONS	THIRD ANGLE PROJECTION	DRAWING	SERIES	MATERIAL NUMBER	CUSTOMER	SHEET NUMBER
					D-SIZE	46819	SEE CHART	GENERAL MARKET	1 OF 1