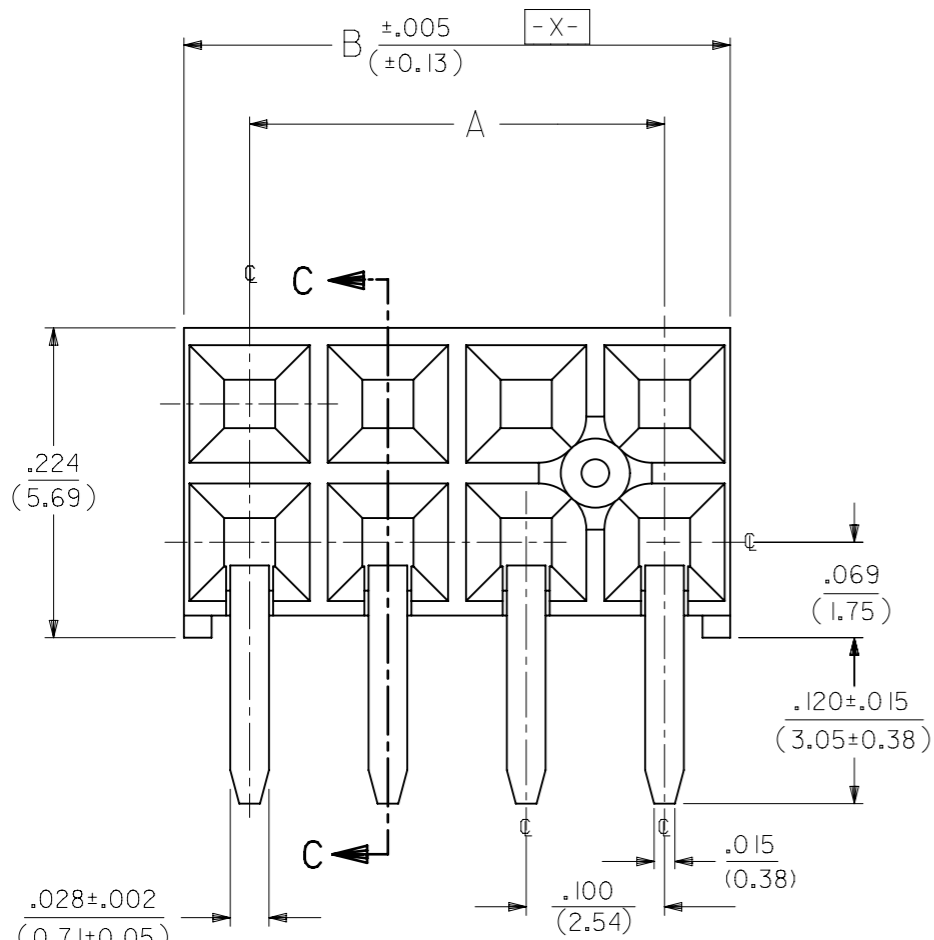


4 DIGIT DATE CODE
SEE NOTE 5



⊕ ∅ .015(S) TAIL TO TAIL
⊕ ∅ .020(S) X(S) Y(S) TAIL TO INSULATOR

OPTION "A" ASSEMBLY
STANDARD HOUSING

NOTE FOR LEAD FREE CONVERSION:

THE PRIMARY SHIPPING CARTON WILL BE LABELED "COMPLIANT TO RoHS DIRECTIVE 2002/95/EC AND ELV ANNEX II OF DIRECTIVE 2000/53/EC". CARTONS WITHOUT THIS LABEL MAY CONTAIN PRODUCT WITH LEAD.

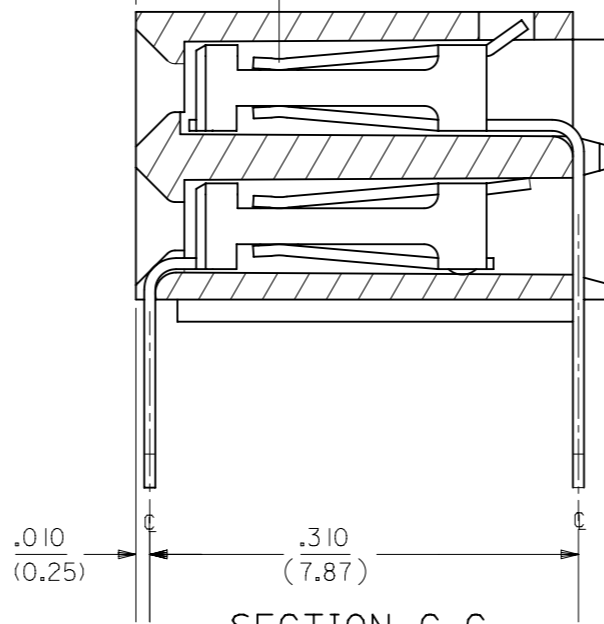
- NOTES:
- MATERIAL -
INSULATOR - LCP, UL 94V-0, COLOR BLACK
CONTACTS - PHOSPHOR BRONZE
 - SEE SHT. 5 & 6 FOR CHART DIMENSIONS AND EDP NO.'S
 - RECOMMENDED MATING PIN LENGTH:
LOWER ROW - .200" MIN., .285" MAX.
UPPER ROW - .200" MIN.
 - REFER TO PRODUCT SPECIFICATION PS-71973-9999 FOR PERFORMANCE DATA
 - MANUFACTURED DATE CODE - YEAR, WEEK.
 - PACKAGING: FOR THIS PRODUCT IN TUBES SEE SHT. 6 & 7
FOR THIS PRODUCT IN TRAYS SEE SHT. 8 & 9

FINISHES

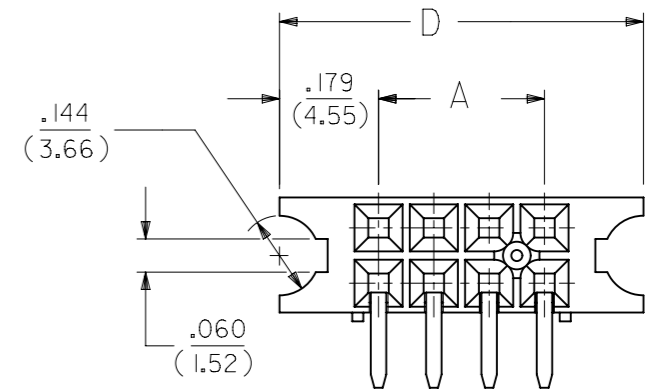
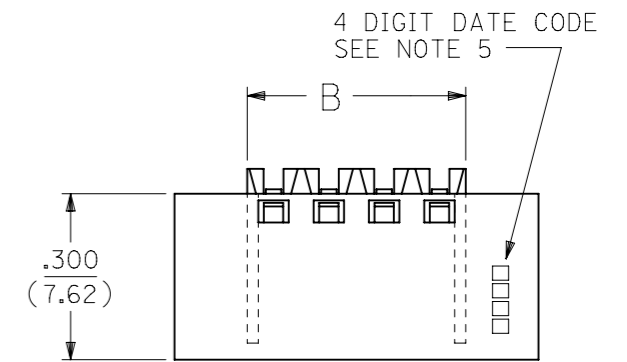
- 15 GOLD .000015 MINIMUM GOLD PLATE IN SELECT AREA OVER
.000050 MINIMUM NICKEL UNDERPLATE OVER-ALL WITH
.000075 MINIMUM TIN PLATE IN SELECT AREA.
- 30 GOLD .000030 MINIMUM GOLD PLATE IN SELECT AREA OVER
.000050 MINIMUM NICKEL UNDERPLATE OVER-ALL WITH
.000075 MINIMUM TIN PLATE IN SELECT AREA.
- 50 GOLD .000050 MINIMUM GOLD PLATE IN SELECT AREA OVER
.000050 MINIMUM NICKEL UNDERPLATE OVER-ALL WITH
.000100 MINIMUM TIN PLATE IN SELECT AREA.

.105
(2.67)

POINT OF CONTACT



SECTION C-C



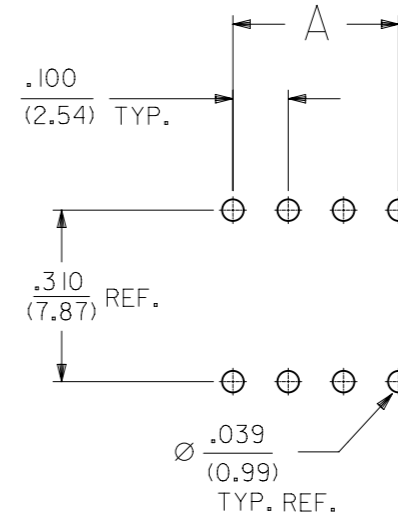
OPTION "B" ASSEMBLY

STD. HOUSING W/MOUNTING EARS
SCALE 4:1

REFER TO OPT. A FOR ALL OTHER INFORMATION

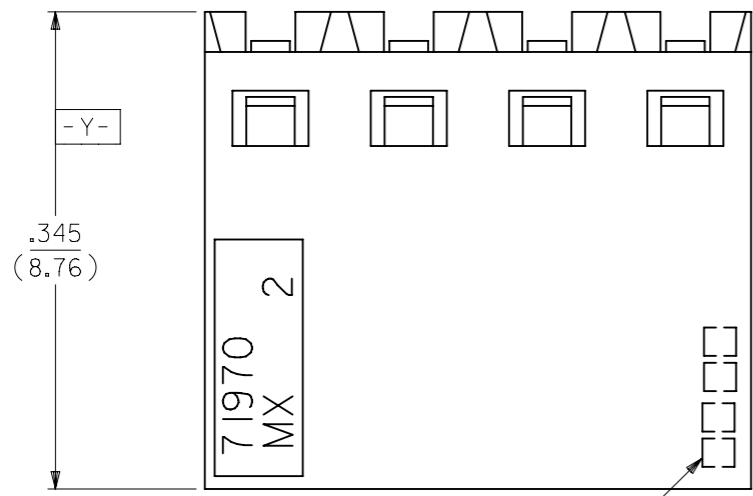
OPTION "J" ASSEMBLY

OPTION "J" IS THE SAME AS OPTION "B" EXCEPT
DATE CODE IS NOT STAMPED ON HOUSING.

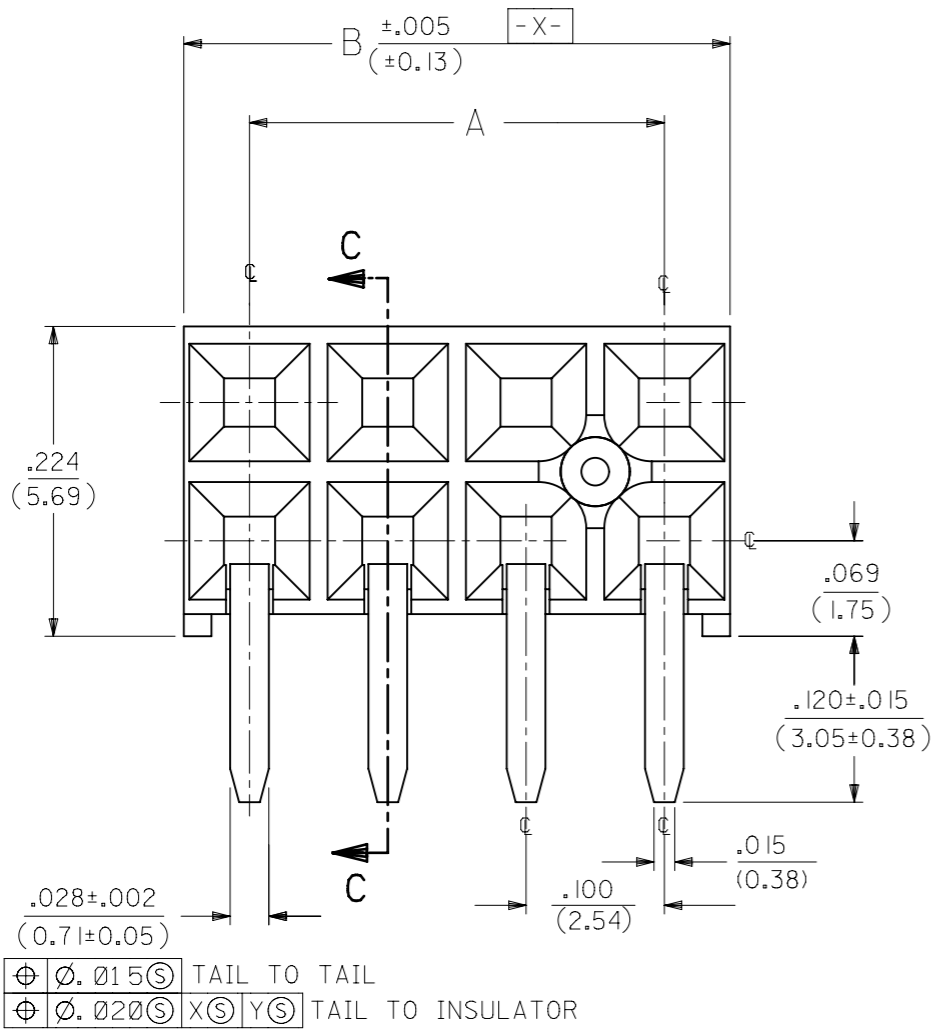


RECOMMENDED P.C.B.
LAYOUT

THIS DRAWING CONTAINS INFORMATION THAT IS PROPRIETARY TO MOLEX ELECTRONIC TECHNOLOGIES, LLC AND SHOULD NOT BE USED WITHOUT WRITTEN PERMISSION											
DIMENSION UNITS		SCALE		CURRENT REV DESC: OBSOLETE PART NUMBER							
IN/MM		NTS									
GENERAL TOLERANCES (UNLESS SPECIFIED)											
		MM		INCH							
4 PLACES		±		±		EC NO: 718009					
3 PLACES		±		± 0.01		DRWN: ABHISP1 2021/02/12					
2 PLACES		±		± 0.25		CHK'D: DANUSA 2022/09/16					
1 PLACE		±		±		APPR: MRAMAKRISHNA 2022/09/16					
0 PLACES		±		±		INITIAL REVISION:					
ANGULAR TOL		± 0.5°				DRWN: DJB 1991/10/21					
						APPR: MLONG 2010/01/14					
DRAFT WHERE APPLICABLE MUST REMAIN WITHIN DIMENSIONS				THIRD ANGLE PROJECTION		DRAWING		SERIES		MATERIAL NUMBER	
						A3-SIZE		71973		SEE TABLE	
						GENERAL MARKET		CUSTOMER		SHEET NUMBER	
						GENERAL MARKET		GENERAL MARKET		1 OF 25	



4 DIGIT DATE CODE
SEE NOTE 5



- ⊕ ∅.015 (3) TAIL TO TAIL
- ⊕ ∅.020 (3) X (3) Y (3) TAIL TO INSULATOR

OPTION "E" ASSEMBLY
STANDARD HOUSING

NOTE FOR LEAD FREE CONVERSION:

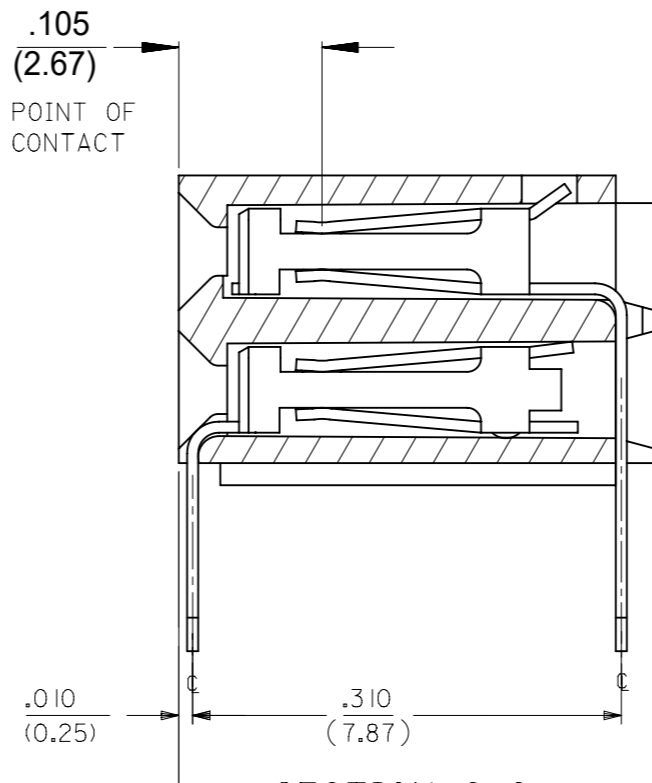
THE PRIMARY SHIPPING CARTON WILL BE LABELED "COMPLIANT TO ROHS DIRECTIVE 2002/95/EC AND ELV ANNEX II OF DIRECTIVE 2000/53/EC". CARTONS WITHOUT THIS LABEL MAY CONTAIN PRODUCT WITH LEAD.

NOTES:

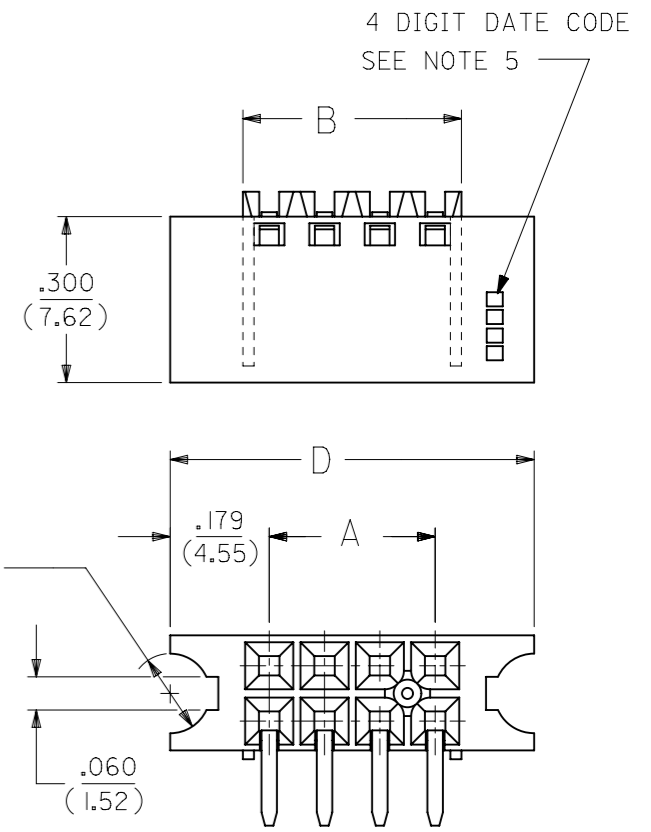
- 1.) MATERIAL -
INSULATOR - LCP, UL 94V-0, COLOR BLACK
CONTACTS - PHOSPHOR BRONZE
- 2.) SEE SHT. 13 & 14 FOR CHART DIMENSIONS AND EDP NO.'S
- 3.) RECOMMENDED MATING PIN LENGTH:
LOWER ROW - .200" MIN., .250" MAX.
UPPER ROW - .200" MIN.
- 4.) REFER TO PRODUCT SPECIFICATION PS-71973-9999 FOR PERFORMANCE DATA
- 5.) MANUFACTURED DATE CODE - YEAR, WEEK.
- 6.) PACKAGING: FOR THIS PRODUCT IN TUBES SEE SHT. 14 & 15
FOR THIS PRODUCT IN TRAYS SEE SHT. 16 & 17

FINISHES

- 15 GOLD .000015 MINIMUM GOLD PLATE IN SELECT AREA OVER .000050 MINIMUM NICKEL UNDERPLATE OVER-ALL WITH .000075 MINIMUM TIN PLATE IN SELECT AREA.
- 30 GOLD .000030 MINIMUM GOLD PLATE IN SELECT AREA OVER .000050 MINIMUM NICKEL UNDERPLATE OVER-ALL WITH .000075 MINIMUM TIN PLATE IN SELECT AREA.
- 50 GOLD .000050 MINIMUM GOLD PLATE IN SELECT AREA OVER .000050 MINIMUM NICKEL UNDERPLATE OVER-ALL WITH .000100 MINIMUM TIN PLATE IN SELECT AREA.

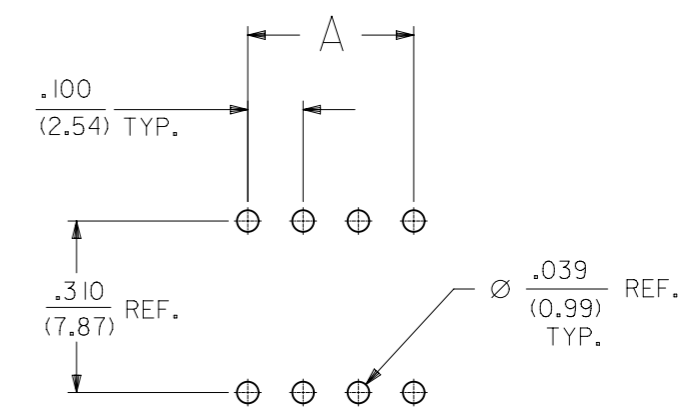


SECTION C-C



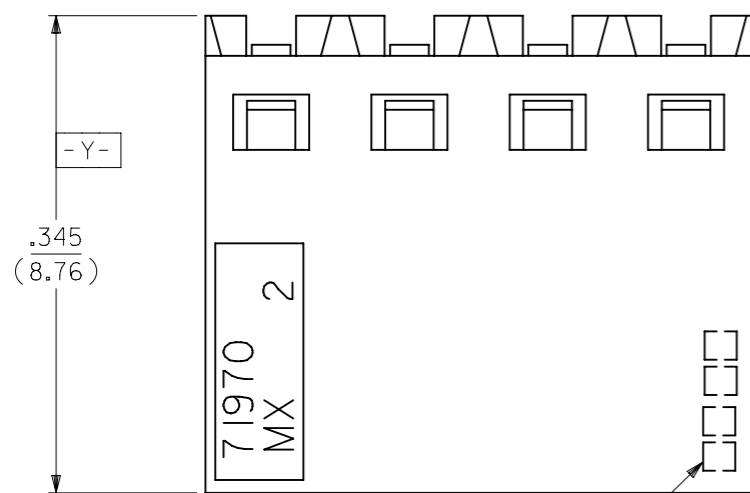
OPTION "F" ASSEMBLY
STD. HOUSING W/MOUNTING EARS
AND LOWER ROW PINSTOP
SCALE 4:1

REFER TO OPT. E FOR ALL OTHER INFORMATION

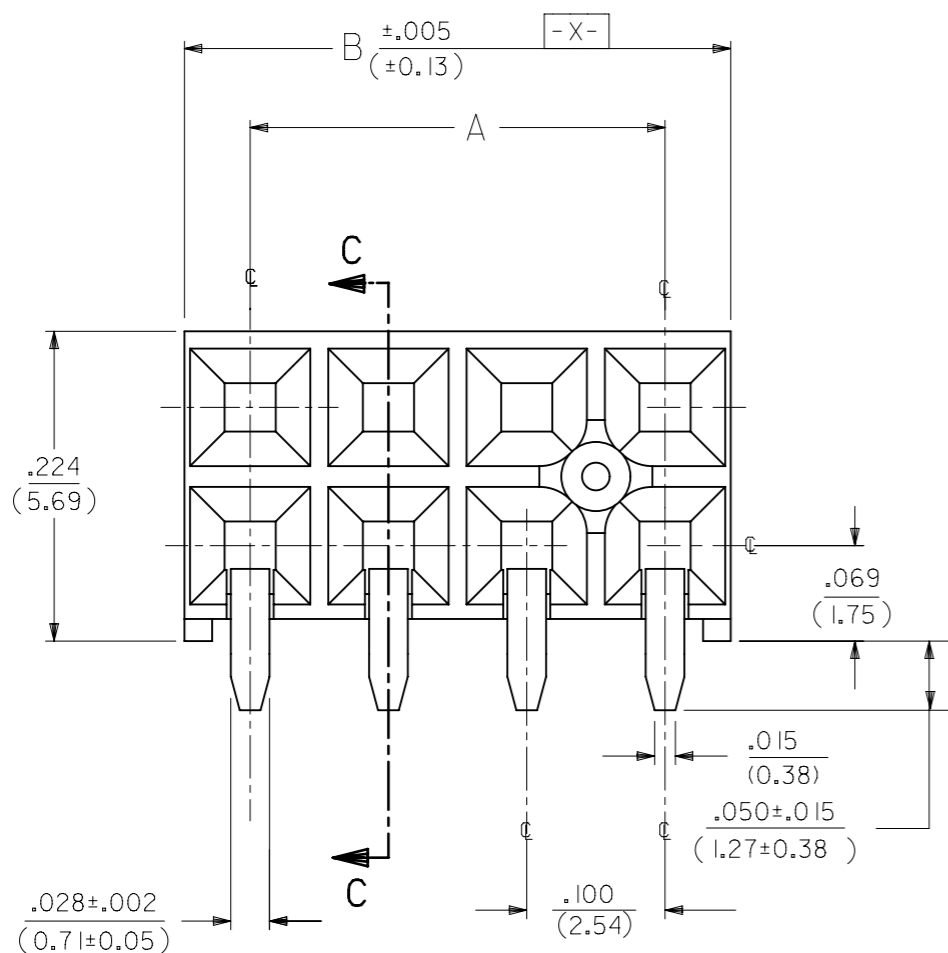


RECOMMENDED P.C.B. LAYOUT

THIS DRAWING CONTAINS INFORMATION THAT IS PROPRIETARY TO MOLEX ELECTRONIC TECHNOLOGIES, LLC AND SHOULD NOT BE USED WITHOUT WRITTEN PERMISSION		CURRENT REV DESC: OBSOLETE PART NUMBER		molex	
DIMENSION UNITS: IN/MM		SCALE: NTS			
GENERAL TOLERANCES (UNLESS SPECIFIED)				EARLY ENTRY R/A RECPT .120"PC TAIL W/O LOWER ROW PINSTOP-.100" GRID	
				PRODUCT CUSTOMER DRAWING	
4 PLACES ±				DOCUMENT NUMBER: SDA-71973-XXXX	
3 PLACES ±				DOC TYPE: PSD	
2 PLACES ±				DOC PART: 001	
1 PLACE ±				REVISION: L	
0 PLACES ±				REVISION: 01	
ANGULAR TOL ± 0.5°				SHEET NUMBER: 2 OF 25	
DRAFT WHERE APPLICABLE MUST REMAIN WITHIN DIMENSIONS		THIRD ANGLE PROJECTION		DRAWING: A3-SIZE	
		SERIES: 71973		MATERIAL NUMBER: SEE TABLE	
		CUSTOMER: GENERAL MARKET			



4 DIGIT DATE CODE
SEE NOTE 5



⊕ ∅.015 ⊕ TAIL TO TAIL
⊕ ∅.020 ⊕ X ⊕ Y ⊕ TAIL TO INSULATOR

OPTION "G" ASSEMBLY
STANDARD HOUSING

NOTE FOR LEAD FREE CONVERSION:

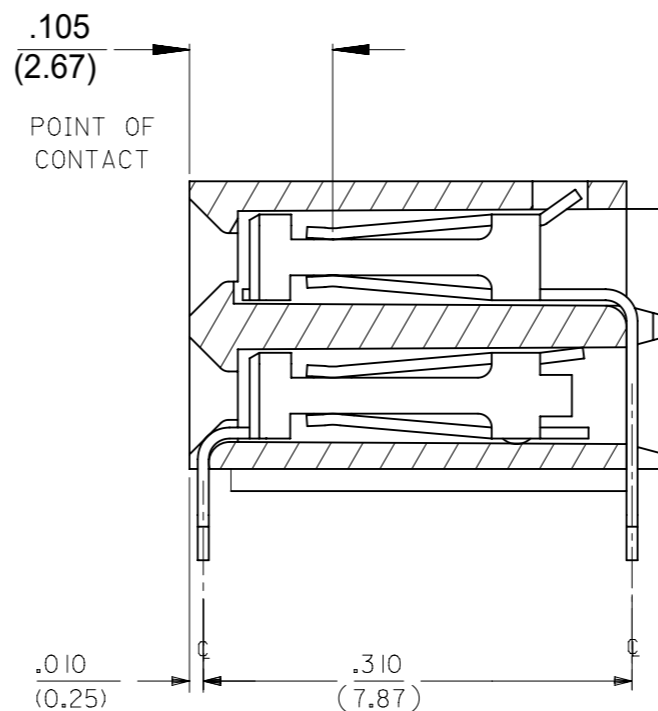
THE PRIMARY SHIPPING CARTON WILL BE LABELED "COMPLIANT TO RoHS DIRECTIVE 2002/95/EC AND ELV ANNEX II OF DIRECTIVE 2000/53/EC". CARTONS WITHOUT THIS LABEL MAY CONTAIN PRODUCT WITH LEAD.

NOTES:

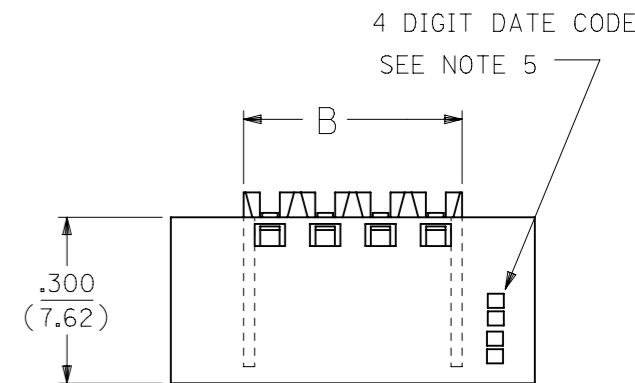
- 1.) MATERIAL -
INSULATOR - LCP, UL 94V-0, COLOR BLACK
CONTACTS - PHOSPHOR BRONZE
- 2.) SEE SHT. 17 & 18 FOR CHART DIMENSIONS AND EDP NO.'S
- 3.) RECOMMENDED MATING PIN LENGTH:
LOWER ROW - .200" MIN., .250" MAX.
UPPER ROW - .200" MIN.
- 4.) REFER TO PRODUCT SPECIFICATION PS-71973-9999 FOR PERFORMANCE DATA
- 5.) MANUFACTURED DATE CODE - YEAR, WEEK.
- 6.) PACKAGING: FOR THIS PRODUCT IN TUBES SEE SHT. 18 & 19
FOR THIS PRODUCT IN TRAYS SEE SHT. 20 & 21

FINISHES

- 15 GOLD .000015 MINIMUM GOLD PLATE IN SELECT AREA OVER .000050 MINIMUM NICKEL UNDERPLATE OVER-ALL WITH .000075 MINIMUM TIN PLATE IN SELECT AREA.
- 30 GOLD .000030 MINIMUM GOLD PLATE IN SELECT AREA OVER .000050 MINIMUM NICKEL UNDERPLATE OVER-ALL WITH .000075 MINIMUM TIN PLATE IN SELECT AREA.
- 50 GOLD .000050 MINIMUM GOLD PLATE IN SELECT AREA OVER .000050 MINIMUM NICKEL UNDERPLATE OVER-ALL WITH .000100 MINIMUM TIN PLATE IN SELECT AREA.

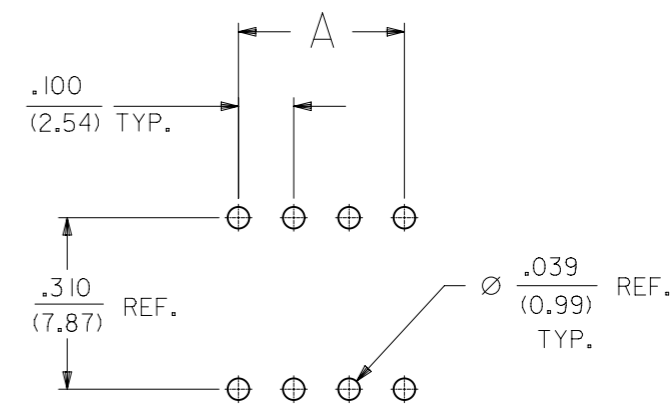


SECTION C-C



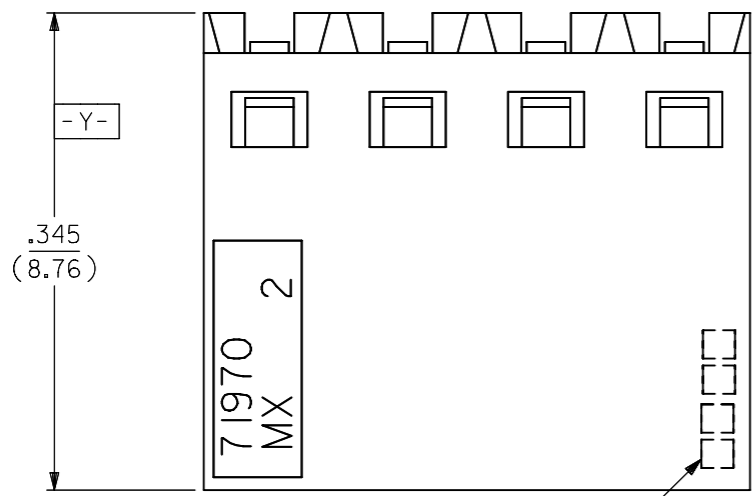
OPTION "H" ASSEMBLY
STD. HOUSING W/MOUNTING EARS
AND LOWER PINSTOP
SCALE 4:1

REFER TO OPT. G FOR ALL OTHER INFORMATION

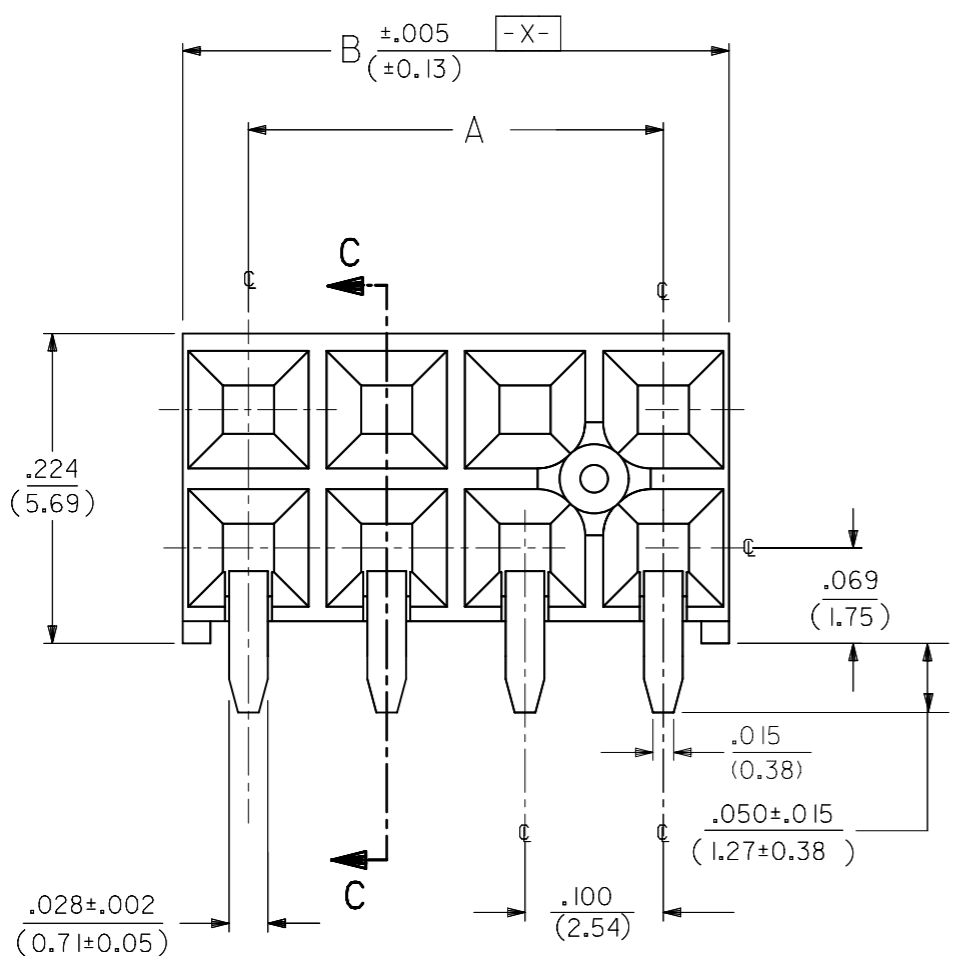


RECOMMENDED P.C.B. LAYOUT

THIS DRAWING CONTAINS INFORMATION THAT IS PROPRIETARY TO MOLEX ELECTRONIC TECHNOLOGIES, LLC AND SHOULD NOT BE USED WITHOUT WRITTEN PERMISSION		CURRENT REV DESC: OBSOLETE PART NUMBER		molex	
DIMENSION UNITS	SCALE	EC NO: 718009			
IN/MM	NTS	DRWN: ABHISP1 2021/02/12		.120"PC TAIL W/O LOWER ROW PINSTOP-.100" GRID	
GENERAL TOLERANCES (UNLESS SPECIFIED)		CHK'D: DANUSA 2022/09/16		PRODUCT CUSTOMER DRAWING	
		APPR: MRAMAKRISHNA 2022/09/16		DOCUMENT NUMBER	
4 PLACES ±		INITIAL REVISION:		SDA-71973-XXXX	
3 PLACES ±		DRWN: DJB 1991/10/21		DOC TYPE	
2 PLACES ±		APPR: MLONG 2010/01/14		PSD	
1 PLACE ±		ANGULAR TOL ± 0.5°		DOC PART	
0 PLACES ±		DRAFT WHERE APPLICABLE MUST REMAIN WITHIN DIMENSIONS		001	
		THIRD ANGLE PROJECTION		REVISION	
		DRAWING		L	
		SERIES		SHEET NUMBER	
		A3-SIZE		3 OF 25	
		71973		MATERIAL NUMBER	
		SEE TABLE		CUSTOMER	
		GENERAL MARKET			



4 DIGIT DATE CODE
SEE NOTE 5



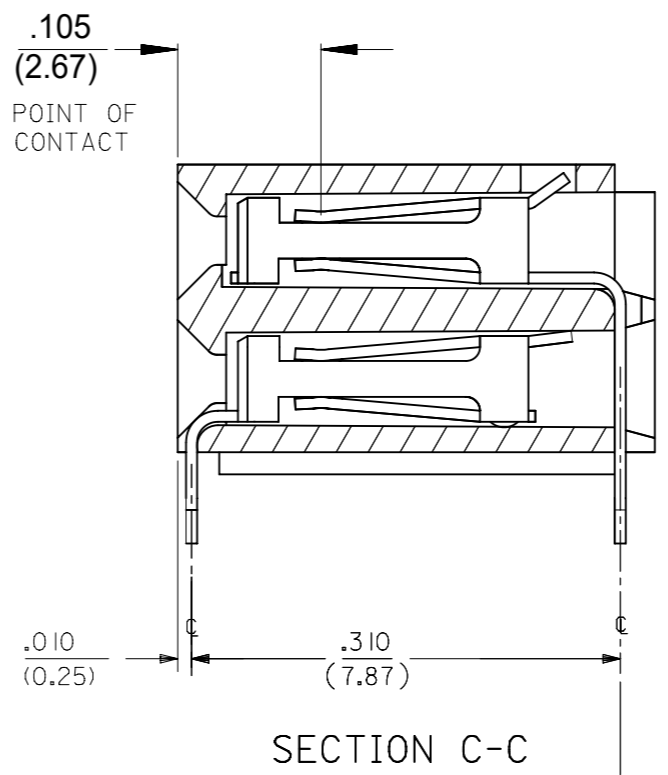
⊕	∅. 015	Ⓢ	TAIL TO TAIL
⊕	∅. 020	Ⓢ	X
⊕	∅. 020	Ⓢ	Y
⊕	∅. 020	Ⓢ	TAIL TO INSULATOR

OPTION "C" ASSEMBLY
STANDARD HOUSING

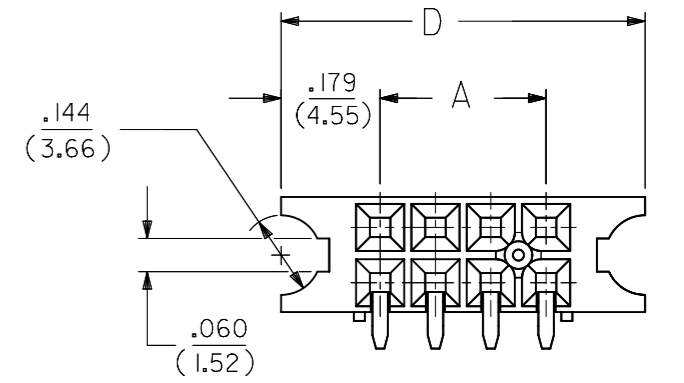
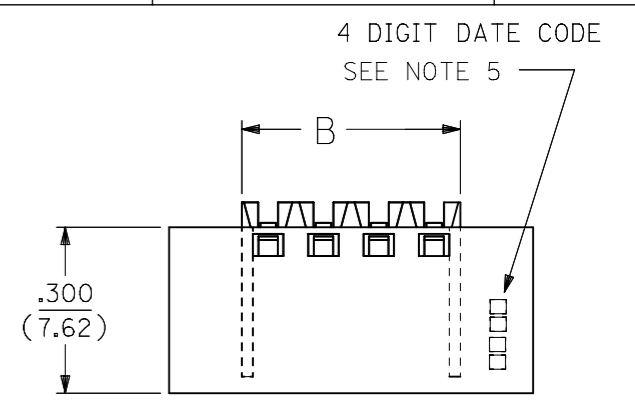
- NOTES:**
- MATERIAL -
INSULATOR - LCP, UL 94V-0, COLOR BLACK
CONTACTS - PHOSPHOR BRONZE
 - SEE SHT. 9 & 10 FOR CHART DIMENSIONS AND EDP NO.'S
 - RECOMMENDED MATING PIN LENGTH:
LOWER ROW - .200" MIN., .285" MAX.
UPPER ROW - .200" MIN.
 - REFER TO PRODUCT SPECIFICATION PS-71973-9999 FOR PERFORMANCE DATA
 - MANUFACTURED DATE CODE - YEAR, WEEK.
 - PACKAGING: FOR THIS PRODUCT IN TUBES SEE SHT. 10 & 11
FOR THIS PRODUCT IN TRAYS SEE SHT. 12 & 13

FINISHES

- 15 GOLD .000015 MINIMUM GOLD PLATE IN SELECT AREA OVER .000050 MINIMUM NICKEL UNDERPLATE OVER-ALL WITH .000075 MINIMUM TIN PLATE IN SELECT AREA.
- 30 GOLD .000030 MINIMUM GOLD PLATE IN SELECT AREA OVER .000050 MINIMUM NICKEL UNDERPLATE OVER-ALL WITH .000075 MINIMUM TIN PLATE IN SELECT AREA.
- 50 GOLD .000050 MINIMUM GOLD PLATE IN SELECT AREA OVER .000050 MINIMUM NICKEL UNDERPLATE OVER-ALL WITH .000100 MINIMUM TIN PLATE IN SELECT AREA.

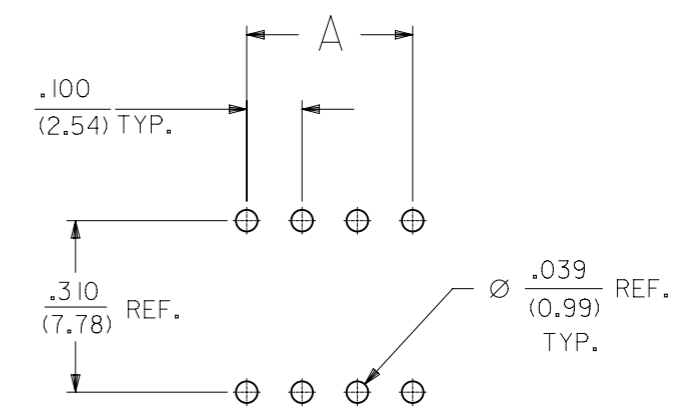


SECTION C-C



OPTION "D" ASSEMBLY
STD. HOUSING W/MOUNTING EARS
SCALE 4:1

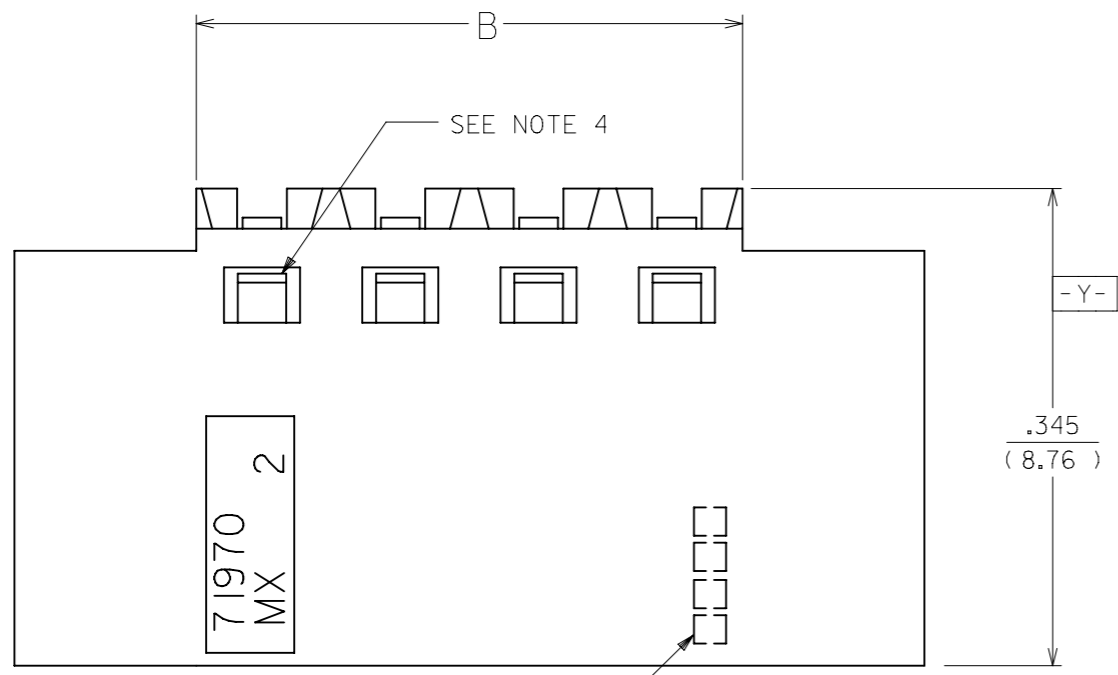
REFER TO OPT. C FOR ALL OTHER INFORMATION



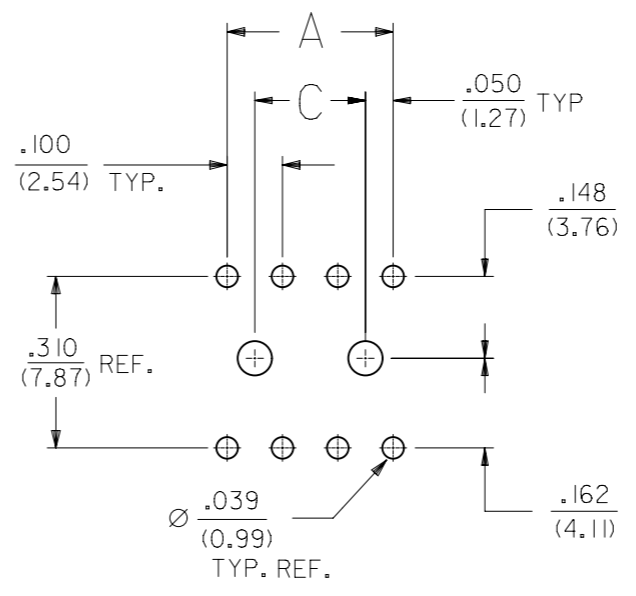
RECOMMENDED P.C.B. LAYOUT

NOTE FOR LEAD FREE CONVERSION:
THE PRIMARY SHIPPING CARTON WILL BE LABELED "COMPLIANT TO ROHS DIRECTIVE 2002/95/EC AND ELV ANNEX II OF DIRECTIVE 2000/53/EC". CARTONS WITHOUT THIS LABEL MAY CONTAIN PRODUCT WITH LEAD.

THIS DRAWING CONTAINS INFORMATION THAT IS PROPRIETARY TO MOLEX ELECTRONIC TECHNOLOGIES, LLC AND SHOULD NOT BE USED WITHOUT WRITTEN PERMISSION		CURRENT REV DESC: OBSOLETE PART NUMBER																					
DIMENSION UNITS: IN/MM SCALE: NTS		EC NO: 718009 DRWN: ABHISP1 CHK'D: DANUSA APPR: MRAMAKRISHNA				EARLY ENTRY R/A RECPT .120"PC TAIL W/O LOWER ROW PINSTOP-.100" GRID																	
GENERAL TOLERANCES (UNLESS SPECIFIED)		EC NO: 718009 DRWN: ABHISP1 CHK'D: DANUSA APPR: MRAMAKRISHNA		PRODUCT CUSTOMER DRAWING																			
<table border="1"> <thead> <tr> <th></th> <th>MM</th> <th>INCH</th> </tr> </thead> <tbody> <tr> <td>4 PLACES</td> <td>±</td> <td>±</td> </tr> <tr> <td>3 PLACES</td> <td>±</td> <td>± 0.01</td> </tr> <tr> <td>2 PLACES</td> <td>± 0.25</td> <td>±</td> </tr> <tr> <td>1 PLACE</td> <td>±</td> <td>±</td> </tr> <tr> <td>0 PLACES</td> <td>±</td> <td>±</td> </tr> </tbody> </table>			MM	INCH	4 PLACES	±	±	3 PLACES	±	± 0.01	2 PLACES	± 0.25	±	1 PLACE	±	±	0 PLACES	±	±	INITIAL REVISION: DRWN: DJB APPR: MLONG		DOCUMENT NUMBER: SDA-71973-XXXX DOC TYPE: PSD DOC PART: 001 REVISION: L	
	MM	INCH																					
4 PLACES	±	±																					
3 PLACES	±	± 0.01																					
2 PLACES	± 0.25	±																					
1 PLACE	±	±																					
0 PLACES	±	±																					
ANGULAR TOL ± 0.5°		DRAFT WHERE APPLICABLE MUST REMAIN WITHIN DIMENSIONS		THIRD ANGLE PROJECTION																			
DRAWING: A3-SIZE		SERIES: 71973		MATERIAL NUMBER: SEE TABLE CUSTOMER: GENERAL MARKET SHEET NUMBER: 4 OF 25																			



4 DIGIT DATE CODE
SEE NOTE 5



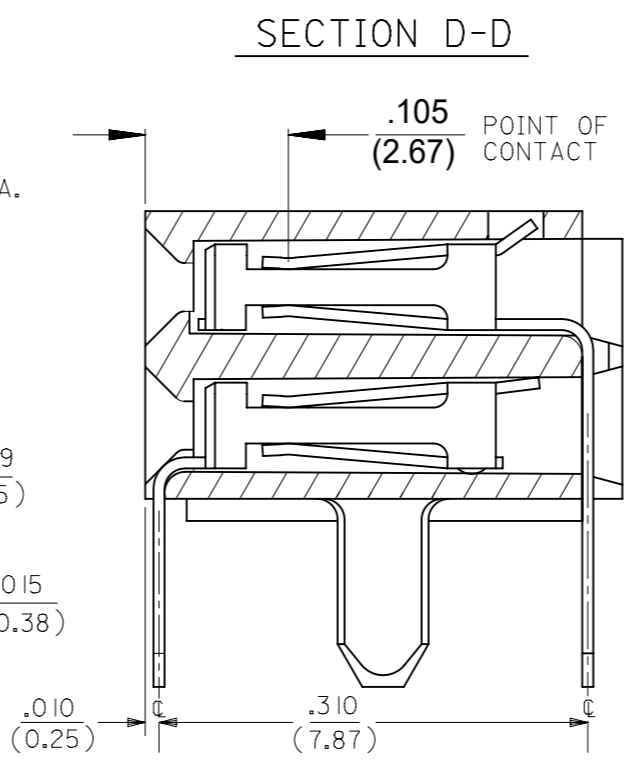
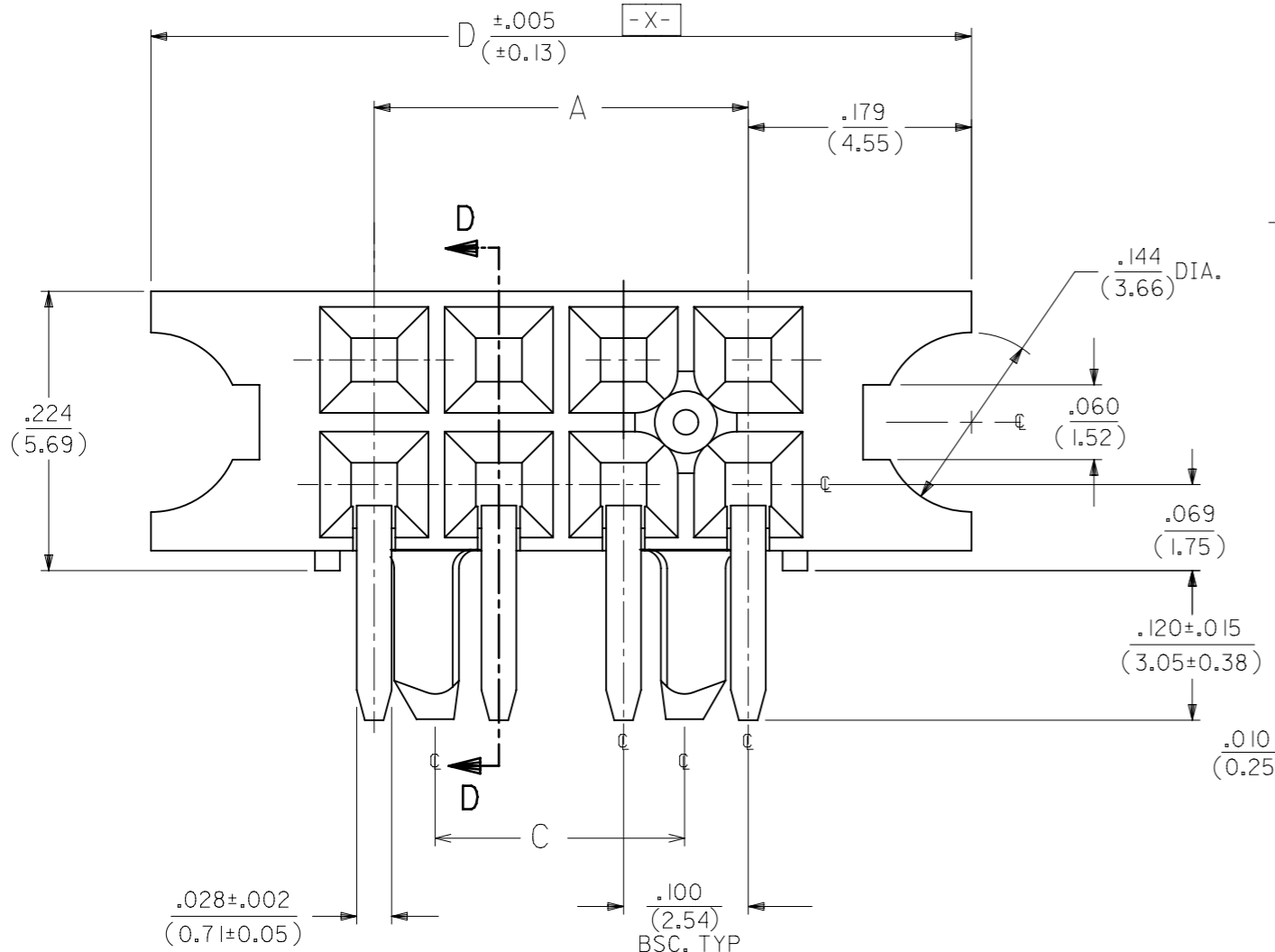
RECOMMENDED P.C.B.
LAYOUT

SCALE 4:1

- NOTES:
- 1.) MATERIAL -
INSULATOR - LCP, UL 94V-0, COLOR BLACK
CONTACTS - PHOSPHOR BRONZE
 - 2.) SEE SHT. 22 FOR CHART DIMENSIONS AND ITEM NO.'S
 - 3.) RECOMMENDED MATING PIN LENGTH:
LOWER ROW - .200" MINIMUM, .285" MAX.
UPPER ROW - .200" MINIMUM
 - 4.) REFER TO PRODUCT SPECIFICATION PS-71973-9999 FOR PERFORMANCE DATA
 - 5.) MANUFACTURED DATE CODE - YEAR, WEEK.
 - 6.) PACKAGING: FOR THIS PRODUCT IN TUBES SEE SHT. 22

FINISHES PER ES-88-(***)

- 15 GOLD .000015 MINIMUM GOLD PLATE IN SELECT AREA OVER .000050 MINIMUM NICKEL UNDERPLATE OVER-ALL WITH .000075 MINIMUM TIN PLATE IN SELECT AREA.
- 30 GOLD .000030 MINIMUM GOLD PLATE IN SELECT AREA OVER .000050 MINIMUM NICKEL UNDERPLATE OVER-ALL WITH .000075 MINIMUM TIN PLATE IN SELECT AREA.
- 50 GOLD .000050 MINIMUM GOLD PLATE IN SELECT AREA OVER .000050 MINIMUM NICKEL UNDERPLATE OVER-ALL WITH .000100 MINIMUM TIN PLATE IN SELECT AREA.



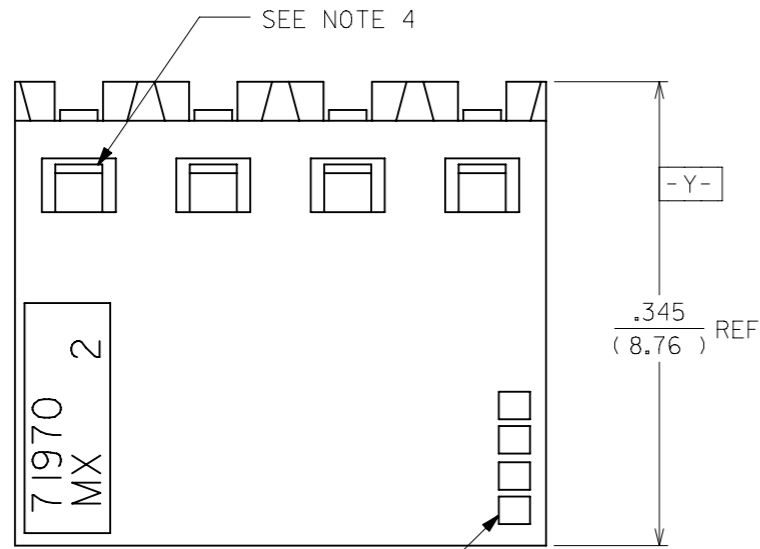
NOTE FOR LEAD FREE CONVERSION:
THE PRIMARY SHIPPING CARTON WILL BE LABELED "COMPLIANT TO RoHS DIRECTIVE 2002/95/EC AND ELV ANNEX II OF DIRECTIVE 2000/53/EC". CARTONS WITHOUT THIS LABEL MAY CONTAIN PRODUCT WITH LEAD.

⊕ ∅.015 ⊙ TAIL TO TAIL
⊕ ∅.020 ⊙ X ⊙ Y ⊙ TAIL TO INSULATOR
(SEE NOTE 7)

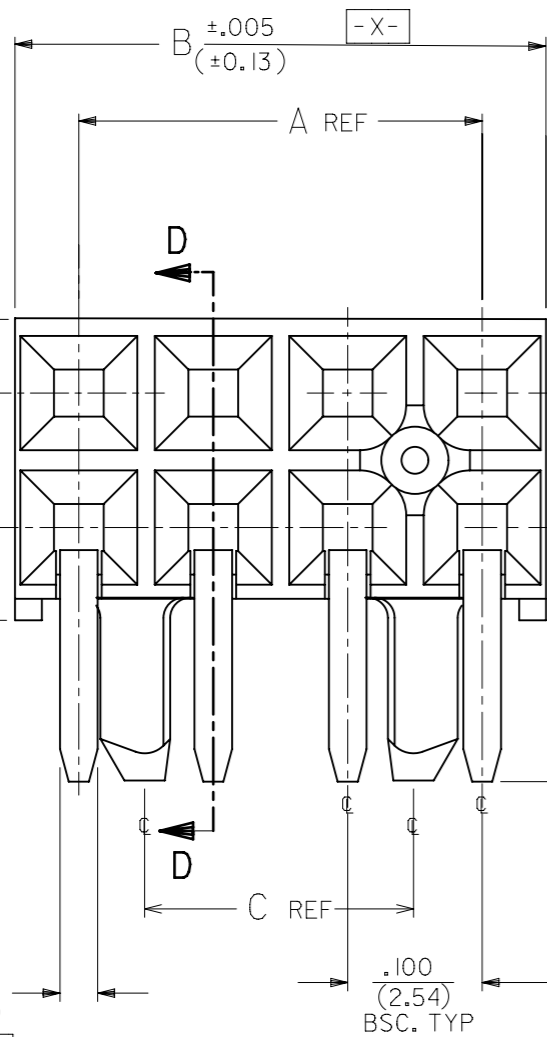
OPTION "I" ASSEMBLY

STANDARD HOUSING W/ PEGS AND MOUNTING EARS

THIS DRAWING CONTAINS INFORMATION THAT IS PROPRIETARY TO MOLEX ELECTRONIC TECHNOLOGIES, LLC AND SHOULD NOT BE USED WITHOUT WRITTEN PERMISSION		CURRENT REV DESC: OBSOLETE PART NUMBER			
GENERAL TOLERANCES (UNLESS SPECIFIED)		EC NO: 718009			
4 PLACES ±		DRWN: ABHISP1 2021/02/12		PRODUCT CUSTOMER DRAWING	
3 PLACES ± 0.01		CHK'D: DANUSA 2022/09/16		DOCUMENT NUMBER	
2 PLACES ± 0.25		APPR: MRAMAKRISHNA 2022/09/16		SDA-71973-XXXX	
1 PLACE ±		INITIAL REVISION:		DOC TYPE DOC PART REVISION	
0 PLACES ±		DRWN: DJB 1991/10/21		PSD 001 L	
ANGULAR TOL ± 0.5°		APPR: MLONG 2010/01/14		MATERIAL NUMBER	
DRAFT WHERE APPLICABLE MUST REMAIN WITHIN DIMENSIONS		THIRD ANGLE PROJECTION		CUSTOMER	
		DRAWING A3-SIZE		GENERAL MARKET	
		SERIES 71973		SHEET NUMBER	
				5 OF 25	



4 DIGIT DATE CODE
SEE NOTE 5



$\oplus \varnothing .015 \textcircled{S}$ TAIL TO TAIL
 $\oplus \varnothing .020 \textcircled{S}$ X \textcircled{S} Y \textcircled{S} TAIL TO INSULATOR
 (SEE NOTE 8)

OPTION "K" ASSEMBLY
STANDARD HOUSING W/ PEGS

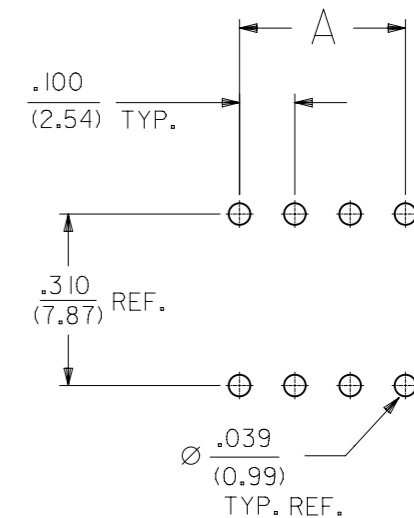
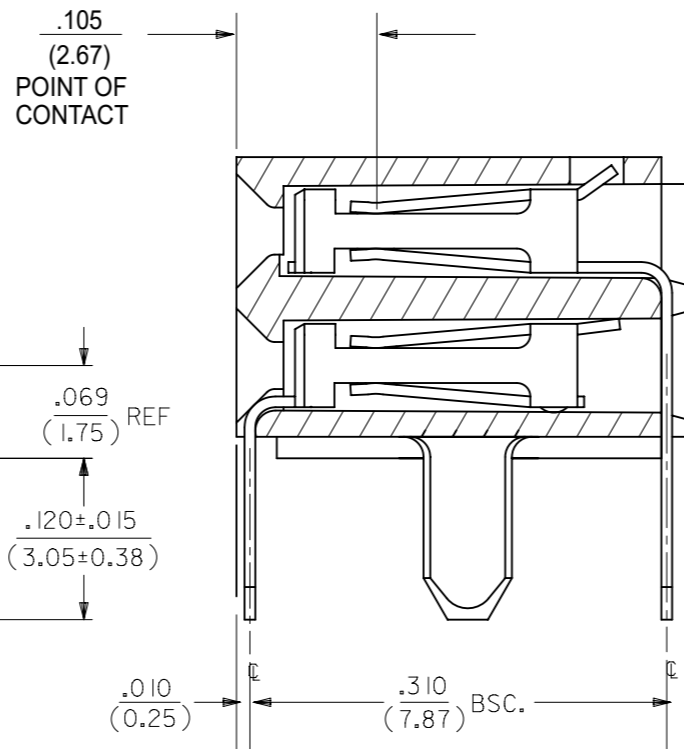
FINISHES

- 15 GOLD .000015 MINIMUM GOLD PLATE IN SELECT AREA OVER
.000050 MINIMUM NICKEL UNDERPLATE OVER-ALL WITH
.000075 MINIMUM TIN PLATE IN SELECT AREA.
- 30 GOLD .000030 MINIMUM GOLD PLATE IN SELECT AREA OVER
.000050 MINIMUM NICKEL UNDERPLATE OVER-ALL WITH
.000075 MINIMUM TIN PLATE IN SELECT AREA.
- 50 GOLD .000050 MINIMUM GOLD PLATE IN SELECT AREA OVER
.000050 MINIMUM NICKEL UNDERPLATE OVER-ALL WITH
.000100 MINIMUM TIN PLATE IN SELECT AREA.

NOTES:

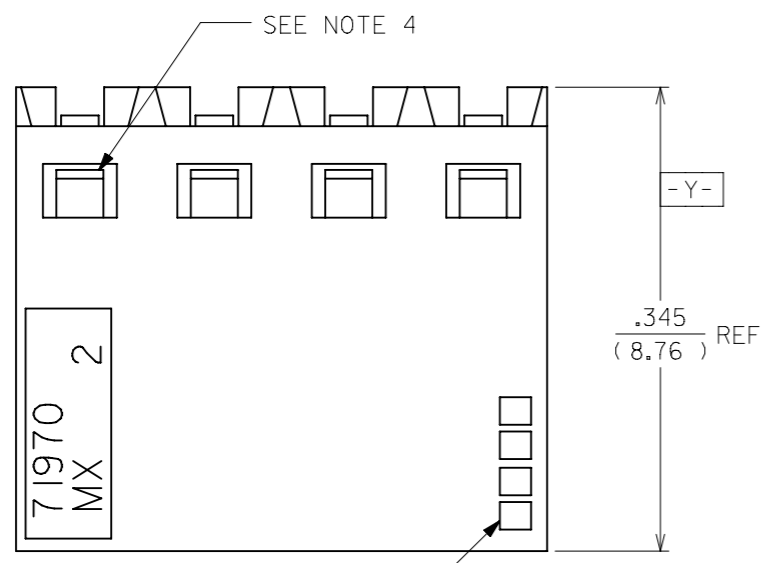
- 1.) MATERIAL-
INSULATOR - LCP, UL 94V-0, COLOR BLACK
CONTACTS - PHOSPHOR BRONZE
- 2.) SEE SHT. 25 FOR CHART DIMENSIONS AND ITEM NO.'S
- 3.) RECOMMENDED MATING PIN LENGTH:
LOWER ROW - .200" MINIMUM, .285" MAX.
UPPER ROW - .200" MINIMUM
- 4.) REFER TO PRODUCT SPECIFICATION PS-71973-9999 FOR PERFORMANCE DATA
- 5.) MANUFACTURED DATE CODE - YEAR, WEEK.
- 6.) PACKAGING: FOR THIS PRODUCT IN TUBES SEE SHT. 25

SECTION D-D



RECOMMENDED P.C.B.
LAYOUT

THIS DRAWING CONTAINS INFORMATION THAT IS PROPRIETARY TO MOLEX ELECTRONIC TECHNOLOGIES, LLC AND SHOULD NOT BE USED WITHOUT WRITTEN PERMISSION											
DIMENSION UNITS		SCALE		CURRENT REV DESC: OBSOLETE PART NUMBER							
IN/MM		NTS									
GENERAL TOLERANCES (UNLESS SPECIFIED)											
		MM		INCH							
4 PLACES		±		±							
3 PLACES		±		± 0.01							
2 PLACES		±		0.25		±					
1 PLACE		±		±							
0 PLACES		±		±							
ANGULAR TOL		±		0.5°							
DRAFT WHERE APPLICABLE MUST REMAIN WITHIN DIMENSIONS				THIRD ANGLE PROJECTION		DRAWING		SERIES		MATERIAL NUMBER	
						A3-SIZE		71973		SEE TABLE	
DOCUMENT STATUS				P1		RELEASE DATE		2022/09/16		08:19:07	
EC NO: 718009				DRWN: ABHISP1		2021/02/12		CHK'D: DANUSA		2022/09/16	
APPR: MRAMAKRISHNA				2022/09/16		INITIAL REVISION:		DRWN: DJB		2010/01/14	
APPR: MLONG				2010/01/14		DOCUMENT NUMBER		SDA-71973-XXXX		DOC TYPE DOC PART REVISION	
PSD				001		L		CUSTOMER		GENERAL MARKET	
SHEET NUMBER				6 OF 25							



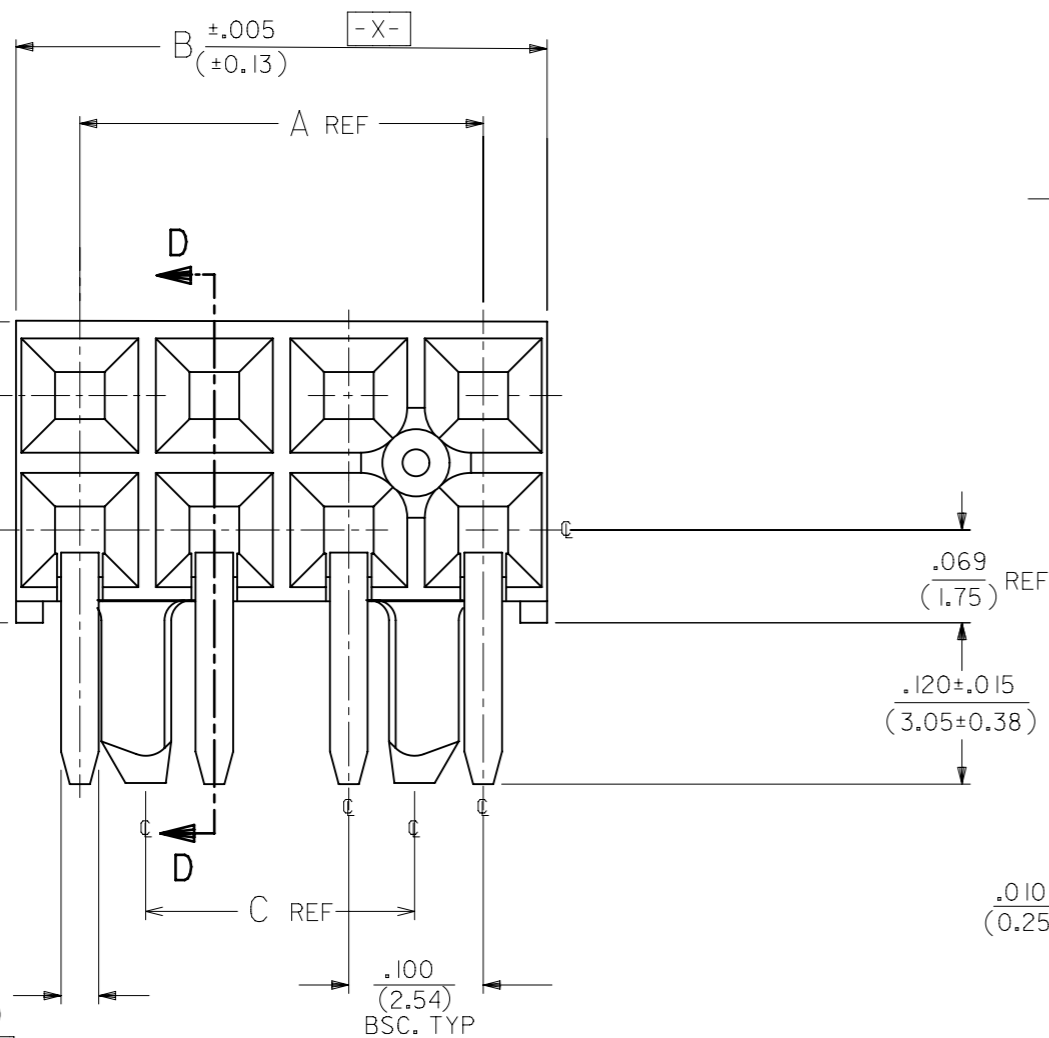
4 DIGIT DATE CODE
SEE NOTE 5

FINISHES

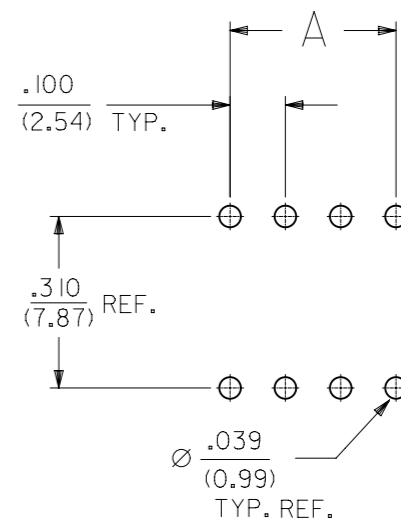
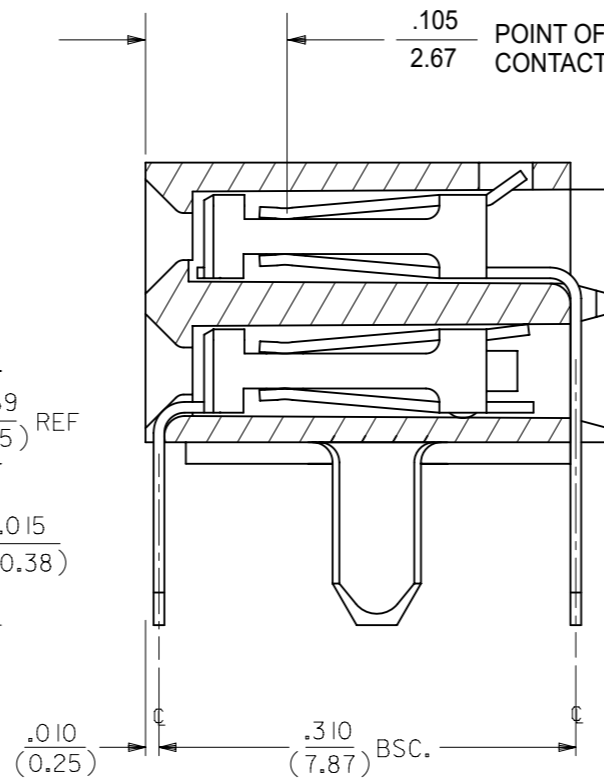
15 GOLD	.000015 MINIMUM	GOLD PLATE IN SELECT AREA OVER
	.000050 MINIMUM	NICKEL UNDERPLATE OVER-ALL WITH
	.000075 MINIMUM	TIN PLATE IN SELECT AREA.
30 GOLD	.000030 MINIMUM	GOLD PLATE IN SELECT AREA OVER
	.000050 MINIMUM	NICKEL UNDERPLATE OVER-ALL WITH
	.000075 MINIMUM	TIN PLATE IN SELECT AREA.
50 GOLD	.000050 MINIMUM	GOLD PLATE IN SELECT AREA OVER
	.000050 MINIMUM	NICKEL UNDERPLATE OVER-ALL WITH
	.000100 MINIMUM	TIN PLATE IN SELECT AREA.

NOTES:

- 1.) MATERIAL -
INSULATOR - LCP, UL 94V-0, COLOR BLACK
CONTACTS - PHOSPHOR BRONZE
- 2.) SEE SHT. 22 FOR CHART DIMENSIONS AND ITEM NO.'S
- 3.) RECOMMENDED MATING PIN LENGTH:
LOWER ROW - .200" MINIMUM, .250" MAX.
UPPER ROW - .200" MINIMUM
- 4.) REFER TO PRODUCT SPECIFICATION PS-71973-9999 FOR PERFORMANCE DATA
- 5.) MANUFACTURED DATE CODE - YEAR, WEEK.
- 6.) PACKAGING: FOR THIS PRODUCT IN TUBES SEE SHT. 26



SECTION D-D



RECOMMENDED P.C.B.
LAYOUT

$\varnothing .015$ TAIL TO TAIL
 $\varnothing .020$ X Y TAIL TO INSULATOR
 (SEE NOTE 8)


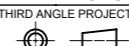
OPTION "L" ASSEMBLY
STANDARD HOUSING W/ PEGS

THIS DRAWING CONTAINS INFORMATION THAT IS PROPRIETARY TO MOLEX ELECTRONIC TECHNOLOGIES, LLC AND SHOULD NOT BE USED WITHOUT WRITTEN PERMISSION		CURRENT REV DESC: OBSOLETE PART NUMBER		molex	
DIMENSION UNITS	SCALE			EARLY ENTRY R/A RECPT .120"PC TAIL W/O LOWER ROW PINSTOP-.100" GRID	
IN/MM	NTS			PRODUCT CUSTOMER DRAWING	
GENERAL TOLERANCES (UNLESS SPECIFIED)				DOCUMENT NUMBER	
				SDA-71973-XXXX	
				DOC TYPE DOC PART REVISION	
				PSD 001 L	
				SHEET NUMBER	
				7 OF 25	
4 PLACES ±		±		EC NO: 718009	
3 PLACES ±		± 0.01		DRWN: ABHISP1 2021/02/12	
2 PLACES ±		± 0.25		CHK'D: DANUSA 2022/09/16	
1 PLACE ±		±		APPR: MRAMAKRISHNA 2022/09/16	
0 PLACES ±		±		INITIAL REVISION:	
ANGULAR TOL ± 0.5°		±		DRWN: DJB 1991/10/21	
DRAFT WHERE APPLICABLE MUST REMAIN WITHIN DIMENSIONS		THIRD ANGLE PROJECTION		APPR: MLONG 2010/01/14	
DRAWING		SERIES		MATERIAL NUMBER	
A3-SIZE		71973		CUSTOMER	
GENERAL MARKET		SEE TABLE		GENERAL MARKET	

10		9				8		7		6	
NO. OF CKTS		OPTION B ASSEMBLY PACKAGED IN TUBES PER PK-70873-0139 (SEE SHEET 1 FOR PLATING SPECIFICATIONS)						DIMENSION			
PER ROW	TOTAL	OPT. J ASSY 15 GOLD	15 GOLD	30 GOLD	50 GOLD	A	B		D		
4	8		71973-1004			.300 (7.62)	.395 (10.03)		.658 (16.71)		
5	10		71973-1005	71973-1105		.400 (10.16)	.495 (12.57)		.758 (19.25)		
6	12		71973-1006	71973-1106		.500 (12.70)	.595 (15.11)		.858 (21.79)		
7	14		71973-1007	71973-1107		.600 (15.24)	.695 (17.65)		.958 (24.33)		
8	16		71973-1008	71973-1108		.700 (17.78)	.795 (20.19)		1.058 (26.87)		
9	18		71973-1009	71973-1109	71973-1209	.800 (20.32)	.895 (22.73)		1.158 (29.41)		
10	20		71973-1010	71973-1110		.900 (22.86)	.995 (25.27)		1.258 (31.95)		
11	22		71973-1011	71973-1111	71973-1211	1.000 (25.40)	1.095 (27.81)		1.358 (34.49)		
12	24			71973-1112		1.100 (27.94)	1.195 (30.35)		1.458 (37.03)		
13	26		71973-1013		71973-1213	1.200 (30.48)	1.295 (32.89)		1.558 (39.57)		
14	28		71973-1014	71973-1114	71973-1214	1.300 (33.02)	1.395 (35.43)		1.658 (42.11)		
15	30	71973-1315	71973-1015			1.400 (35.56)	1.495 (37.97)		1.758 (44.65)		
16	32		71973-1016	71973-1116	71973-1216	1.500 (38.10)	1.595 (40.51)		1.858 (47.19)		
17	34		71973-1017	71973-1117	71973-1217	1.600 (40.64)	1.695 (43.05)		1.958 (49.73)		
18	36		71973-1018	71973-1118	71973-1218	1.700 (43.18)	1.795 (45.59)		2.058 (52.27)		
19	38		71973-1019	71973-1119	71973-1219	1.800 (45.72)	1.895 (48.13)		2.158 (54.81)		
20	40	71973-1320	71973-1020	71973-1120	71973-1220	1.900 (48.26)	1.995 (50.67)		2.258 (57.35)		
21	42		71973-1021	71973-1121	71973-1221	2.000 (50.80)	2.095 (53.21)		2.358 (59.89)		
22	44		71973-1022	71973-1122	71973-1222	2.100 (53.34)	2.195 (55.75)		2.458 (62.43)		
23	46		71973-1023	71973-1123	71973-1223	2.200 (55.88)	2.295 (58.29)		2.558 (64.97)		
24	48		71973-1024	71973-1124	71973-1224	2.300 (58.42)	2.395 (60.83)		2.658 (67.51)		
25	50			71973-1125	71973-1225	2.400 (60.96)	2.495 (63.37)		2.758 (70.05)		
26	52		71973-1026	71973-1126	71973-1226	2.500 (63.50)	2.595 (65.91)		2.858 (72.59)		
27	54		71973-1027	71973-1127	71973-1227	2.600 (66.04)	2.695 (68.45)		2.958 (75.13)		
28	56		71973-1028	71973-1128	71973-1228	2.700 (68.58)	2.795 (70.99)		3.058 (77.67)		
29	58		71973-1029	71973-1129	71973-1229	2.800 (71.12)	2.895 (73.53)		3.158 (80.21)		
30	60		71973-1030	71973-1130		2.900 (73.66)	2.995 (76.07)		3.258 (82.75)		
31	62		71973-1031	71973-1131	71973-1231	3.000 (76.20)	3.095 (78.61)		3.358 (85.29)		
32	64			71973-1132	71973-1232	3.100 (78.74)	3.195 (81.15)		3.458 (87.83)		

5		4				3		2		1	
NO. OF CKTS		OPTION B ASSEMBLY PACKAGED IN TUBES PER PK-70873-0139 (SEE SHEET 1 FOR PLATING SPECIFICATIONS)						DIMENSION			
PER ROW	TOTAL	OPT. J ASSY 15 GOLD	15 GOLD	30 GOLD	50 GOLD	A	B		D		
33	66		71973-1033	71973-1133	71973-1233	3.200 (81.28)	3.295 (83.69)		3.558 (90.37)		
34	68		71973-1034	71973-1134	71973-1234	3.300 (83.82)	3.395 (86.23)		3.658 (92.91)		
35	70		71973-1035	71973-1135	71973-1235	3.400 (86.36)	3.495 (88.77)		3.758 (95.45)		
36	72		71973-1036	71973-1136	71973-1236	3.500 (88.90)	3.595 (91.31)		3.858 (97.99)		


OPTION "J" IS THE SAME AS "B" EXCEPT DATE CODE IS NOT STAMPED ON HOUSING.

THIS DRAWING CONTAINS INFORMATION THAT IS PROPRIETARY TO MOLEX ELECTRONIC TECHNOLOGIES, LLC AND SHOULD NOT BE USED WITHOUT WRITTEN PERMISSION											
DIMENSION UNITS		SCALE		CURRENT REV DESC: OBSOLETE PART NUMBER							
IN/MM		NTS									
GENERAL TOLERANCES (UNLESS SPECIFIED)				MM		INCH		EARLY ENTRY R/A RECPT .120"PC TAIL W/O LOWER ROW PINSTOP-.100" GRID PRODUCT CUSTOMER DRAWING EC NO: 718009 DRWN: ABHISP1 2021/02/12 CHK'D: DANUSA 2022/09/16 APPR: MRAMAKRISHNA 2022/09/16 INITIAL REVISION: DRWN: DJB 1991/10/21 APPR: MLONG 2010/01/14 DOCUMENT NUMBER: SDA-71973-XXXX DOC TYPE: PSD DOC PART: 001 REVISION: L			
4 PLACES	±		±								
3 PLACES	±		± 0.01								
2 PLACES	±	0.25	±								
1 PLACE	±		±								
0 PLACES	±		±								
ANGULAR TOL ± 0.5°				DRAFT WHERE APPLICABLE MUST REMAIN WITHIN DIMENSIONS		THIRD ANGLE PROJECTION		DRAWING		SERIES	
								A3-SIZE		71973	
MATERIAL NUMBER				CUSTOMER		SHEET NUMBER					
SEE TABLE				GENERAL MARKET		9 OF 25					

DOCUMENT STATUS	P1	RELEASE DATE	2022/09/16	08:19:07
-----------------	----	--------------	------------	----------

10		9			8			7			6		
NO. OF CKTS		OPTION A ASSEMBLY PACKAGED IN TRAYS PER PK-70873-0239 (SEE SHEET 1 FOR FINISH SPECIFICATIONS)						DIMENSION					
PER ROW	TOTAL	15 GOLD		30 GOLD		50 GOLD		A	B				
4	8			71973-6604	71973-6704	71973-6804	.300 (7.62)	.395 (10.03)					
5	10			71973-6605	71973-6705	71973-6805	.400 (10.16)	.495 (12.57)					
6	12			71973-6606	71973-6706	71973-6806	.500 (12.70)	.595 (15.11)					
7	14			71973-6607	71973-6707	71973-6807	.600 (15.24)	.695 (17.65)					
8	16			71973-6608	71973-6708	71973-6808	.700 (17.78)	.795 (20.19)					
9	18				71973-6709	71973-6809	.800 (20.32)	.895 (22.73)					
10	20			71973-6610	71973-6710	71973-6810	.900 (22.86)	.995 (25.27)					
11	22			71973-6611	71973-6711	71973-6811	1.000 (25.40)	1.095 (27.81)					
12	24			71973-6612	71973-6712	71973-6812	1.100 (27.94)	1.195 (30.35)					
13	26			71973-6613	71973-6713	71973-6813	1.200 (30.48)	1.295 (32.89)					
14	28			71973-6614	71973-6714	71973-6814	1.300 (33.02)	1.395 (35.43)					
15	30			71973-6615	71973-6715	71973-6815	1.400 (35.56)	1.495 (37.97)					
16	32			71973-6616	71973-6716	71973-6816	1.500 (38.10)	1.595 (40.51)					
17	34			71973-6617	71973-6717	71973-6817	1.600 (40.64)	1.695 (43.05)					
18	36			71973-6618	71973-6718	71973-6818	1.700 (43.18)	1.795 (45.59)					
19	38			71973-6619	71973-6719	71973-6819	1.800 (45.72)	1.895 (48.13)					
20	40			71973-6620	71973-6720	71973-6820	1.900 (48.26)	1.995 (50.67)					
21	42			71973-6621	71973-6721	71973-6821	2.000 (50.80)	2.095 (53.21)					
22	44			71973-6622	71973-6722	71973-6822	2.100 (53.34)	2.195 (55.75)					
23	46			71973-6623	71973-6723	71973-6823	2.200 (55.88)	2.295 (58.29)					
24	48			71973-6624	71973-6724	71973-6824	2.300 (58.42)	2.395 (60.83)					
25	50			71973-6625	71973-6725	71973-6825	2.400 (60.96)	2.495 (63.37)					
26	52			71973-6626	71973-6726	71973-6826	2.500 (63.50)	2.595 (65.91)					
27	54			71973-6627	71973-6727	71973-6827	2.600 (66.04)	2.695 (68.45)					
28	56			71973-6628	71973-6728	71973-6828	2.700 (68.58)	2.795 (70.99)					
29	58			71973-6629	71973-6729	71973-6829	2.800 (71.12)	2.895 (73.53)					
30	60			71973-6630	71973-6730	71973-6830	2.900 (73.66)	2.995 (76.07)					
31	62			71973-6631	71973-6731	71973-6831	3.000 (76.20)	3.095 (78.61)					
32	64			71973-6632	71973-6732	71973-6832	3.100 (78.74)	3.195 (81.15)					


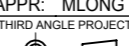
5		4			3			2			1		
NO. OF CKTS		OPTION A ASSEMBLY PACKAGED IN TRAYS PER PK-70873-0239 (SEE SHEET 1 FOR FINISH SPECIFICATIONS)						DIMENSION					
PER ROW	TOTAL	15 GOLD		30 GOLD		50 GOLD		A	B				
33	66			71973-6633	71973-6733	71973-6833	3.200 (81.28)	3.295 (83.69)					
34	68			71973-6634	71973-6734	71973-6834	3.300 (83.82)	3.395 (86.23)					
35	70			71973-6635	71973-6735	71973-6835	3.400 (86.36)	3.495 (88.77)					
36	72			71973-6636	71973-6736	71973-6836	3.500 (88.90)	3.595 (91.31)					

THIS DRAWING CONTAINS INFORMATION THAT IS PROPRIETARY TO MOLEX ELECTRONIC TECHNOLOGIES, LLC AND SHOULD NOT BE USED WITHOUT WRITTEN PERMISSION											
DIMENSION UNITS		SCALE		CURRENT REV DESC: OBSOLETE PART NUMBER							
IN/MM		NTS		 EARLY ENTRY R/A RECPT .120"PC TAIL W/O LOWER ROW PINSTOP-.100" GRID							
GENERAL TOLERANCES (UNLESS SPECIFIED)											
		MM		INCH		EC NO: 718009		2021/02/12		DOCUMENT NUMBER	
4 PLACES ±		±		±		DRWN: ABHISP1		2022/09/16		DOC TYPE	
3 PLACES ±		± 0.01		±		CHK'D: DANUSA		2022/09/16		DOC PART	
2 PLACES ±		0.25		±		APPR: MRAMAKRISHNA		2022/09/16		REVISION	
1 PLACE ±		±		±		INITIAL REVISION:				SDA-71973-XXXX	
0 PLACES ±		±		±		DRWN: DJB		1991/10/21		PSD	
ANGULAR TOL ±		0.5°		±		APPR: MLONG		2010/01/14		001	
DRAFT WHERE APPLICABLE MUST REMAIN WITHIN DIMENSIONS				THIRD ANGLE PROJECTION		DRAWING		SERIES		MATERIAL NUMBER	
						A3-SIZE		71973		CUSTOMER	
								SEE TABLE		GENERAL MARKET	
										SHEET NUMBER	
										10 OF 25	

10		9			8			7			6		
NO. OF CKTS		OPTION C ASSEMBLY PACKAGED IN TUBES PER PK-70873-0138 (SEE SHEET 1 FOR FINISH SPECIFICATIONS)									DIMENSION		
PER ROW	TOTAL	15 GOLD			30 GOLD			50 GOLD			A	B	
4	8	X	71973-1804	X	71973-1904	X	71973-2004	.300 (7.62)	.395 (10.03)				
5	10	X	71973-1805	X	71973-1905	X	71973-2005	.400 (10.16)	.495 (12.57)				
6	12	X	71973-1806	X	71973-1906	X	71973-2006	.500 (12.70)	.595 (15.11)				
7	14	X	71973-1807	X	71973-1907	X	71973-2007	.600 (15.24)	.695 (17.65)				
8	16	X	71973-1808	X	71973-1908	X	71973-2008	.700 (17.78)	.795 (20.19)				
9	18	X	71973-1809	X	71973-1909	X	71973-2009	.800 (20.32)	.895 (22.73)				
10	20	X	71973-1810	X	71973-1910	X	71973-2010	.900 (22.86)	.995 (25.27)				
11	22	X	71973-1811	X	71973-1911	X	71973-2011	1.000 (25.40)	1.095 (27.81)				
12	24	X	71973-1812	X	71973-1912	X	71973-2012	1.100 (27.94)	1.195 (30.35)				
13	26	X	71973-1813	X	71973-1913	X	71973-2013	1.200 (30.48)	1.295 (32.89)				
14	28	X	71973-1814	X	71973-1914	X	71973-2014	1.300 (33.02)	1.395 (35.43)				
15	30	X	71973-1815	X	71973-1915	X	71973-2015	1.400 (35.56)	1.495 (37.97)				
16	32	X	71973-1816	X	71973-1916	X	71973-2016	1.500 (38.10)	1.595 (40.51)				
17	34	X	71973-1817	X	71973-1917	X	71973-2017	1.600 (40.64)	1.695 (43.05)				
18	36	X	71973-1818	X	71973-1918	X	71973-2018	1.700 (43.18)	1.795 (45.59)				
19	38	X	71973-1819	X	71973-1919	X	71973-2019	1.800 (45.72)	1.895 (48.13)				
20	40	X	71973-1820	X	71973-1920	X	71973-2020	1.900 (48.26)	1.995 (50.67)				
21	42	X	71973-1821	X	71973-1921	X	71973-2021	2.000 (50.80)	2.095 (53.21)				
22	44	X	71973-1822	X	71973-1922	X	71973-2022	2.100 (53.34)	2.195 (55.75)				
23	46	X	71973-1823	X	71973-1923	X	71973-2023	2.200 (55.88)	2.295 (58.29)				
24	48	X	71973-1824	X	71973-1924	X	71973-2024	2.300 (58.42)	2.395 (60.83)				
25	50	X	71973-1825	X	71973-1925	X	71973-2025	2.400 (60.96)	2.495 (63.37)				
26	52	X	71973-1826	X	71973-1926	X	71973-2026	2.500 (63.50)	2.595 (65.91)				
27	54	X	71973-1827	X	71973-1927	X	71973-2027	2.600 (66.04)	2.695 (68.45)				
28	56	X	71973-1828	X	71973-1928	X	71973-2028	2.700 (68.58)	2.795 (70.99)				
29	58	X	71973-1829	X	71973-1929	X	71973-2029	2.800 (71.12)	2.895 (73.53)				
30	60	X	71973-1830	X	71973-1930	X	71973-2030	2.900 (73.66)	2.995 (76.07)				
31	62	X	71973-1831	X	71973-1931	X	71973-2031	3.000 (76.20)	3.095 (78.61)				
32	64	X	71973-1832	X	71973-1932	X	71973-2032	3.100 (78.74)	3.195 (81.15)				

5		4			3			2			1		
NO. OF CKTS		OPTION C ASSEMBLY PACKAGED IN TUBES PER PK-70873-0138 (SEE SHEET 1 FOR FINISH SPECIFICATIONS)									DIMENSION		
PER ROW	TOTAL	15 GOLD			30 GOLD			50 GOLD			A	B	
33	66	X	71973-1833	X	71973-1933	X	71973-2033	3.200 (81.28)	3.295 (83.69)				
34	68	X	71973-1834	X	71973-1934	X	71973-2034	3.300 (83.82)	3.395 (86.23)				
35	70	X	71973-1835	X	71973-1935	X	71973-2035	3.400 (86.36)	3.495 (88.77)				
36	72	X	71973-1836	X	71973-1936	X	71973-2036	3.500 (88.90)	3.595 (91.31)				

"X" INDICATES TOOLING IS NOT AVAILABLE

THIS DRAWING CONTAINS INFORMATION THAT IS PROPRIETARY TO MOLEX ELECTRONIC TECHNOLOGIES, LLC AND SHOULD NOT BE USED WITHOUT WRITTEN PERMISSION																													
DIMENSION UNITS		SCALE		CURRENT REV DESC: OBSOLETE PART NUMBER																									
IN/MM		NTS																											
GENERAL TOLERANCES (UNLESS SPECIFIED)																													
<table border="1"> <thead> <tr> <th></th> <th>MM</th> <th>INCH</th> </tr> </thead> <tbody> <tr> <td>4 PLACES</td> <td>±</td> <td>±</td> </tr> <tr> <td>3 PLACES</td> <td>±</td> <td>± 0.01</td> </tr> <tr> <td>2 PLACES</td> <td>± 0.25</td> <td>±</td> </tr> <tr> <td>1 PLACE</td> <td>±</td> <td>±</td> </tr> <tr> <td>0 PLACES</td> <td>±</td> <td>±</td> </tr> </tbody> </table>													MM	INCH	4 PLACES	±	±	3 PLACES	±	± 0.01	2 PLACES	± 0.25	±	1 PLACE	±	±	0 PLACES	±	±
	MM	INCH																											
4 PLACES	±	±																											
3 PLACES	±	± 0.01																											
2 PLACES	± 0.25	±																											
1 PLACE	±	±																											
0 PLACES	±	±																											
EC NO: 718009				DRWN: ABHISP1				2021/02/12																					
CHK'D: DANUSA				APPR: MRAMAKRISHNA				2022/09/16																					
INITIAL REVISION:				DRWN: DJB				1991/10/21																					
ANGULAR TOL ± 0.5°				APPR: MLONG				2010/01/14																					
DRAFT WHERE APPLICABLE MUST REMAIN WITHIN DIMENSIONS			THIRD ANGLE PROJECTION		DRAWING		SERIES		MATERIAL NUMBER		CUSTOMER																		
					A3-SIZE		71973		SEE TABLE		GENERAL MARKET																		
DOCUMENT STATUS		P1	RELEASE DATE		2022/09/16		08:19:07		DOCUMENT NUMBER		SDA-71973-XXXX																		
									DOC TYPE		PSD																		
									DOC PART		001																		
									REVISION		L																		
									SHEET NUMBER		12 OF 25																		

10		9			8			7			6		
NO. OF CKTS		OPTION C ASSEMBLY PACKAGED IN TRAYS PER PK-70873-0239 (SEE SHEET 1 FOR FINISH SPECIFICATIONS)						DIMENSION					
PER ROW	TOTAL	15 GOLD		30 GOLD		50 GOLD		A	B				
4	8			71973-7404	71973-7504	71973-7604	.300 (7.62)	.395 (10.03)					
5	10			71973-7405	71973-7505	71973-7605	.400 (10.16)	.495 (12.57)					
6	12			71973-7406	71973-7506	71973-7606	.500 (12.70)	.595 (15.11)					
7	14			71973-7407	71973-7507	71973-7607	.600 (15.24)	.695 (17.65)					
8	16			71973-7408	71973-7508	71973-7608	.700 (17.78)	.795 (20.19)					
9	18			71973-7409	71973-7509	71973-7609	.800 (20.32)	.895 (22.73)					
10	20			71973-7410	71973-7510	71973-7610	.900 (22.86)	.995 (25.27)					
11	22			71973-7411	71973-7511	71973-7611	1.000 (25.40)	1.095 (27.81)					
12	24			71973-7412	71973-7512	71973-7612	1.100 (27.94)	1.195 (30.35)					
13	26			71973-7413	71973-7513	71973-7613	1.200 (30.48)	1.295 (32.89)					
14	28			71973-7414	71973-7514	71973-7614	1.300 (33.02)	1.395 (35.43)					
15	30			71973-7415	71973-7515	71973-7615	1.400 (35.56)	1.495 (37.97)					
16	32			71973-7416	71973-7516	71973-7616	1.500 (38.10)	1.595 (40.51)					
17	34			71973-7417	71973-7517	71973-7617	1.600 (40.64)	1.695 (43.05)					
18	36			71973-7418	71973-7518	71973-7618	1.700 (43.18)	1.795 (45.59)					
19	38			71973-7419	71973-7519	71973-7619	1.800 (45.72)	1.895 (48.13)					
20	40			71973-7420	71973-7520	71973-7620	1.900 (48.26)	1.995 (50.67)					
21	42			71973-7421	71973-7521	71973-7621	2.000 (50.80)	2.095 (53.21)					
22	44			71973-7422	71973-7522	71973-7622	2.100 (53.34)	2.195 (55.75)					
23	46			71973-7423	71973-7523	71973-7623	2.200 (55.88)	2.295 (58.29)					
24	48			71973-7424	71973-7524	71973-7624	2.300 (58.42)	2.395 (60.83)					
25	50			71973-7425	71973-7525	71973-7625	2.400 (60.96)	2.495 (63.37)					
26	52			71973-7426	71973-7526	71973-7626	2.500 (63.50)	2.595 (65.91)					
27	54			71973-7427	71973-7527	71973-7627	2.600 (66.04)	2.695 (68.45)					
28	56			71973-7428	71973-7528	71973-7628	2.700 (68.58)	2.795 (70.99)					
29	58			71973-7429	71973-7529	71973-7629	2.800 (71.12)	2.895 (73.53)					
30	60			71973-7430	71973-7530	71973-7630	2.900 (73.66)	2.995 (76.07)					
31	62			71973-7431	71973-7531	71973-7631	3.000 (76.20)	3.095 (78.61)					
32	64			71973-7432	71973-7532	71973-7632	3.100 (78.74)	3.195 (81.15)					

5		4			3			2			1		
NO. OF CKTS		OPTION C ASSEMBLY PACKAGED IN TRAYS PER PK-70873-0239 (SEE SHEET 1 FOR FINISH SPECIFICATIONS)						DIMENSION					
PER ROW	TOTAL	15 GOLD		30 GOLD		50 GOLD		A	B				
33	66			71973-7433	71973-7533	71973-7633	3.200 (81.28)	3.295 (83.69)					
34	68			71973-7434	71973-7534	71973-7634	3.300 (83.82)	3.395 (86.23)					
35	70			71973-7435	71973-7535	71973-7635	3.400 (86.36)	3.495 (88.77)					
36	72			71973-7436	71973-7536	71973-7636	3.500 (88.90)	3.595 (91.31)					

THIS DRAWING CONTAINS INFORMATION THAT IS PROPRIETARY TO MOLEX ELECTRONIC TECHNOLOGIES, LLC AND SHOULD NOT BE USED WITHOUT WRITTEN PERMISSION											
DIMENSION UNITS		SCALE		CURRENT REV DESC: OBSOLETE PART NUMBER							
IN/MM		NTS		 EARLY ENTRY R/A RECPT .120"PC TAIL W/O LOWER ROW PINSTOP-.100" GRID							
GENERAL TOLERANCES (UNLESS SPECIFIED)											
		MM	INCH	EC NO: 718009 DRWN: ABHISP1 2021/02/12 CHK'D: DANUSA 2022/09/16 APPR: MRAMAKRISHNA 2022/09/16 INITIAL REVISION: DRWN: DJB 1991/10/21 APPR: MLONG 2010/01/14							
4 PLACES	±		±								
3 PLACES	±		± 0.01								
2 PLACES	±	0.25	±								
1 PLACE	±		±								
0 PLACES	±		±	DOCUMENT NUMBER				DOC TYPE	DOC PART	REVISION	
ANGULAR TOL		± 0.5°		SDA-71973-XXXX				PSD	001	L	
DRAFT WHERE APPLICABLE MUST REMAIN WITHIN DIMENSIONS		THIRD ANGLE PROJECTION		DRAWING	SERIES	MATERIAL NUMBER	CUSTOMER		SHEET NUMBER		
				A3-SIZE	71973	SEE TABLE	GENERAL MARKET		14 OF 25		

10		9			8		7		6	
NO. OF CKTS		OPTION D ASSEMBLY PACKAGED IN TRAYS PER PK-70873-0239 (SEE SHEET 1 FOR FINISH SPECIFICATIONS)					DIMENSION			
PER ROW	TOTAL	15 GOLD		30 GOLD		50 GOLD		A	B	D
4	8	71973-7804	71973-7904	71973-8004	.300 (7.62)	.395 (10.03)	.658 (16.71)			
5	10	71973-7805	71973-7905	71973-8005	.400 (10.16)	.495 (12.57)	.758 (19.25)			
6	12	71973-7806	71973-7906	71973-8006	.500 (12.70)	.595 (15.11)	.858 (21.79)			
7	14	71973-7807	71973-7907	71973-8007	.600 (15.24)	.695 (17.65)	.958 (24.33)			
8	16	71973-7808	71973-7908	71973-8008	.700 (17.78)	.795 (20.19)	1.058 (26.87)			
9	18	71973-7809	71973-7909	71973-8009	.800 (20.32)	.895 (22.73)	1.158 (29.41)			
10	20	71973-7810	71973-7910	71973-8010	.900 (22.86)	.995 (25.27)	1.258 (31.95)			
11	22	71973-7811	71973-7911	71973-8011	1.000 (25.40)	1.095 (27.81)	1.358 (34.49)			
12	24	71973-7812	71973-7912	71973-8012	1.100 (27.94)	1.195 (30.35)	1.458 (37.03)			
13	26	71973-7813	71973-7913	71973-8013	1.200 (30.48)	1.295 (32.89)	1.558 (39.57)			
14	28	71973-7814	71973-7914	71973-8014	1.300 (33.02)	1.395 (35.43)	1.658 (42.11)			
15	30	71973-7815	71973-7915	71973-8015	1.400 (35.56)	1.495 (37.97)	1.758 (44.65)			
16	32	71973-7816	71973-7916	71973-8016	1.500 (38.10)	1.595 (40.51)	1.858 (47.19)			
17	34	71973-7817	71973-7917	71973-8017	1.600 (40.64)	1.695 (43.05)	1.958 (49.73)			
18	36	71973-7818	71973-7918	71973-8018	1.700 (43.18)	1.795 (45.59)	2.058 (52.27)			
19	38	71973-7819	71973-7919	71973-8019	1.800 (45.72)	1.895 (48.13)	2.158 (54.81)			
20	40	71973-7820	71973-7920	71973-8020	1.900 (48.26)	1.995 (50.67)	2.258 (57.35)			
21	42	71973-7821	71973-7921	71973-8021	2.000 (50.80)	2.095 (53.21)	2.358 (59.89)			
22	44	71973-7822	71973-7922	71973-8022	2.100 (53.34)	2.195 (55.75)	2.458 (62.43)			
23	46	71973-7823	71973-7923	71973-8023	2.200 (55.88)	2.295 (58.29)	2.558 (64.97)			
24	48	71973-7824	71973-7924	71973-8024	2.300 (58.42)	2.395 (60.83)	2.658 (67.51)			
25	50	71973-7825	71973-7925	71973-8025	2.400 (60.96)	2.495 (63.37)	2.758 (70.05)			
26	52	71973-7826	71973-7926	71973-8026	2.500 (63.50)	2.595 (65.91)	2.858 (72.59)			
27	54	71973-7827	71973-7927	71973-8027	2.600 (66.04)	2.695 (68.45)	2.958 (75.13)			
28	56	71973-7828	71973-7928	71973-8028	2.700 (68.58)	2.795 (70.99)	3.058 (77.67)			
29	58	71973-7829	71973-7929	71973-8029	2.800 (71.12)	2.895 (73.53)	3.158 (80.21)			
30	60	71973-7830	71973-7930	71973-8030	2.900 (73.66)	2.995 (76.07)	3.258 (82.75)			
31	62	71973-7831	71973-7931	71973-8031	3.000 (76.20)	3.095 (78.61)	3.358 (85.29)			
32	64	71973-7832	71973-7932	71973-8032	3.100 (78.74)	3.195 (81.15)	3.458 (87.83)			

5		4			3		2		1	
NO. OF CKTS		OPTION D ASSEMBLY PACKAGED IN TRAYS PER PK-70873-0239 (SEE SHEET 1 FOR FINISH SPECIFICATIONS)					DIMENSION			
PER ROW	TOTAL	15 GOLD		30 GOLD		50 GOLD		A	B	D
33	66	71973-7833	71973-7933	71973-8033	3.200 (81.28)	3.295 (83.69)	3.558 (90.37)			
34	68	71973-7834	71973-7934	71973-8034	3.300 (83.82)	3.395 (86.23)	3.658 (92.91)			
35	70	71973-7835	71973-7935	71973-8035	3.400 (86.36)	3.495 (88.77)	3.758 (95.45)			
36	72	71973-7836	71973-7936	71973-8036	3.500 (88.90)	3.595 (91.31)	3.858 (97.99)			

THIS DRAWING CONTAINS INFORMATION THAT IS PROPRIETARY TO MOLEX ELECTRONIC TECHNOLOGIES, LLC AND SHOULD NOT BE USED WITHOUT WRITTEN PERMISSION											
DIMENSION UNITS IN/MM		SCALE NTS		CURRENT REV DESC: OBSOLETE PART NUMBER				molex		EARLY ENTRY R/A RECPT .120"PC TAIL W/O LOWER ROW PINSTOP-.100" GRID	
GENERAL TOLERANCES (UNLESS SPECIFIED)											
								EC NO: 718009		2021/02/12	
4 PLACES ±		±						DRWN: ABHISP1		2022/09/16	
3 PLACES ±		± 0.01						CHK'D: DANUSA		2022/09/16	
2 PLACES ±		0.25 ±						APPR: MRAMAKRISHNA		2022/09/16	
1 PLACE ±		±						INITIAL REVISION:			
0 PLACES ±		±						DRWN: DJB		1991/10/21	
ANGULAR TOL ± 0.5°		±						APPR: MLONG		2010/01/14	
DRAFT WHERE APPLICABLE MUST REMAIN WITHIN DIMENSIONS		THIRD ANGLE PROJECTION		DRAWING		SERIES		MATERIAL NUMBER		CUSTOMER	
				A3-SIZE		71973		SEE TABLE		GENERAL MARKET	
DOCUMENT STATUS		P1		RELEASE DATE		2022/09/16		08:19:07			
		9		8		7		6		5	
		4		3		2		1			

NO. OF CKTS		OPTION E ASSEMBLY PACKAGED IN TUBES PER PK-70873-0138 (SEE SHEET 1 FOR FINISH SPECIFICATIONS)					DIMENSION			
PER ROW	TOTAL	15 GOLD	30 GOLD	50 GOLD	A	B				
4	8				.300 (7.62)	.395 (10.03)				
5	10				.400 (10.16)	.495 (12.57)				
6	12				.500 (12.70)	.595 (15.11)				
7	14				.600 (15.24)	.695 (17.65)				
8	16				.700 (17.78)	.795 (20.19)				
9	18				.800 (20.32)	.895 (22.73)				
10	20				.900 (22.86)	.995 (25.27)				
11	22				1.000 (25.40)	1.095 (27.81)				
12	24				1.100 (27.94)	1.195 (30.35)				
13	26				1.200 (30.48)	1.295 (32.89)				
14	28				1.300 (33.02)	1.395 (35.43)				
15	30				1.400 (35.56)	1.495 (37.97)				
16	32				1.500 (38.10)	1.595 (40.51)				
17	34				1.600 (40.64)	1.695 (43.05)				
18	36				1.700 (43.18)	1.795 (45.59)				
19	38				1.800 (45.72)	1.895 (48.13)				
20	40				1.900 (48.26)	1.995 (50.67)				
21	42				2.000 (50.80)	2.095 (53.21)				
22	44				2.100 (53.34)	2.195 (55.75)				
23	46				2.200 (55.88)	2.295 (58.29)				
24	48				2.300 (58.42)	2.395 (60.83)				
25	50				2.400 (60.96)	2.495 (63.37)				
26	52				2.500 (63.50)	2.595 (65.91)				
27	54				2.600 (66.04)	2.695 (68.45)				
28	56				2.700 (68.58)	2.795 (70.99)				
29	58				2.800 (71.12)	2.895 (73.53)				
30	60			71973-3530	2.900 (73.66)	2.995 (76.07)				
31	62				3.000 (76.20)	3.095 (78.61)				
32	64				3.100 (78.74)	3.195 (81.15)				
33	66				3.200 (81.28)	3.295 (83.69)				

NO. OF CKTS		OPTION E ASSEMBLY PACKAGED IN TUBES PER PK-70873-0138 (SEE SHEET 1 FOR FINISH SPECIFICATIONS)					DIMENSION			
PER ROW	TOTAL	15 GOLD	30 GOLD	50 GOLD	A	B				
34	68				3.300 (83.82)	3.395 (86.23)				
35	70				3.400 (86.36)	3.495 (88.77)				
36	72				3.500 (88.90)	3.595 (91.31)				

"X" INDICATES TOOLING IS NOT AVAILABLE

DOCUMENT STATUS		P1	RELEASE DATE	2022/09/16	08:19:07
-----------------	--	----	--------------	------------	----------


THIS DRAWING CONTAINS INFORMATION THAT IS PROPRIETARY TO MOLEX ELECTRONIC TECHNOLOGIES, LLC AND SHOULD NOT BE USED WITHOUT WRITTEN PERMISSION		
DIMENSION UNITS	SCALE	
IN/MM	NTS	
GENERAL TOLERANCES (UNLESS SPECIFIED)		
	MM	INCH
4 PLACES	±	±
3 PLACES	±	± 0.01
2 PLACES	±	± 0.25
1 PLACE	±	±
0 PLACES	±	±
ANGULAR TOL ± 0.5°		
DRAFT WHERE APPLICABLE MUST REMAIN WITHIN DIMENSIONS		

CURRENT REV DESC: OBSOLETE PART NUMBER				
molex				
EARLY ENTRY R/A RECPT .120"PC TAIL W/O LOWER ROW PINSTOP-.100" GRID				
PRODUCT CUSTOMER DRAWING				
EC NO: 718009	2021/02/12			
DRWN: ABHISP1	2022/09/16			
CHK'D: DANUSA	2022/09/16			
APPR: MRAMAKRISHNA	2022/09/16			
INITIAL REVISION:				
DRWN: DJB	1991/10/21			
APPR: MLONG	2010/01/14			
DOCUMENT NUMBER	DOC TYPE	DOC PART	REVISION	
SDA-71973-XXXX	PSD	001	L	
DRAFTING	SERIES	MATERIAL NUMBER	CUSTOMER	SHEET NUMBER
A3-SIZE	71973	SEE TABLE	GENERAL MARKET	16 OF 25

10		9			8			7			6			5		4			3			2			1				
NO. OF CKTS		OPTION G ASSEMBLY PACKAGED IN TUBES PER PK-70873-0138 (SEE SHEET 1 FOR FINISH SPECIFICATIONS)									DIMENSION			NO. OF CKTS		OPTION G ASSEMBLY PACKAGED IN TUBES PER PK-70873-0138 (SEE SHEET 1 FOR FINISH SPECIFICATIONS)									DIMENSION				
PER ROW	TOTAL	15 GOLD			30 GOLD			50 GOLD			A	B			PER ROW	TOTAL	15 GOLD			30 GOLD			50 GOLD			A	B		
F	4	8	X	71973-5004	X	71973-5104	X	71973-5204	.300 (7.62)	.395 (10.03)			32	64	X	71973-5032	X	71973-5132	X	71973-5232	3.100 (78.74)	3.195 (81.15)			E				
	5	10	X	71973-5005	X	71973-5105	X	71973-5205	.400 (10.16)	.495 (12.57)				33	66	X	71973-5033	X	71973-5133	X	71973-5233	3.200 (81.28)	3.295 (83.69)						
	6	12	X	71973-5006	X	71973-5106	X	71973-5206	.500 (12.70)	.595 (15.11)				34	68	X	71973-5034	X	71973-5134	X	71973-5234	3.300 (83.82)	3.395 (86.23)						
	7	14	X	71973-5007	X	71973-5107	X	71973-5207	.600 (15.24)	.695 (17.65)				35	70	X	71973-5035	X	71973-5135	X	71973-5235	3.400 (86.36)	3.495 (88.77)						
	8	16	X	71973-5008	X	71973-5108	X	71973-5208	.700 (17.78)	.795 (20.19)				36	72	X	71973-5036	X	71973-5136	X	71973-5236	3.500 (88.90)	3.595 (91.31)						
	9	18	X	71973-5009	X	71973-5109	X	71973-5209	.800 (20.32)	.895 (22.73)																			
E	10	20	X	71973-5010	X	71973-5110	X	71973-5210	.900 (22.86)	.995 (25.27)																			
	11	22	X	71973-5011	X	71973-5111	X	71973-5211	1.000 (25.40)	1.095 (27.81)																			
	12	24	X	71973-5012	X	71973-5112	X	71973-5212	1.100 (27.94)	1.195 (30.35)																			
	13	26	X	71973-5013	X	71973-5113	X	71973-5213	1.200 (30.48)	1.295 (32.89)																			
	14	28	X	71973-5014	X	71973-5114	X	71973-5214	1.300 (33.02)	1.395 (35.43)																			
	15	30	X	71973-5015	X	71973-5115	X	71973-5215	1.400 (35.56)	1.495 (37.97)																			
D	16	32	X	71973-5016	X	71973-5116	X	71973-5216	1.500 (38.10)	1.595 (40.51)																			
	17	34	X	71973-5017	X	71973-5117	X	71973-5217	1.600 (40.64)	1.695 (43.05)																			
	18	36	X	71973-5018	X	71973-5118	X	71973-5218	1.700 (43.18)	1.795 (45.59)																			
	19	38	X	71973-5019	X	71973-5119	X	71973-5219	1.800 (45.72)	1.895 (48.13)																			
	20	40	X	71973-5020	X	71973-5120	X	71973-5220	1.900 (48.26)	1.995 (50.67)																			
	21	42	X	71973-5021	X	71973-5121	X	71973-5221	2.000 (50.80)	2.095 (53.21)																			
	22	44	X	71973-5022	X	71973-5122	X	71973-5222	2.100 (53.34)	2.195 (55.75)																			
C	23	46	X	71973-5023	X	71973-5123	X	71973-5223	2.200 (55.88)	2.295 (58.29)																			
	24	48	X	71973-5024	X	71973-5124	X	71973-5224	2.300 (58.42)	2.395 (60.83)																			
	25	50	X	71973-5025	X	71973-5125	X	71973-5225	2.400 (60.96)	2.495 (63.37)																			
	26	52	X	71973-5026	X	71973-5126	X	71973-5226	2.500 (63.50)	2.595 (65.91)																			
	27	54	X	71973-5027	X	71973-5127	X	71973-5227	2.600 (66.04)	2.695 (68.45)																			
	28	56	X	71973-5028	X	71973-5128	X	71973-5228	2.700 (68.58)	2.795 (70.99)																			
	29	58	X	71973-5029	X	71973-5129	X	71973-5229	2.800 (71.12)	2.895 (73.53)																			
B	30	60	X	71973-5030	X	71973-5130	X	71973-5230	2.900 (73.66)	2.995 (76.07)																			
	31	62	X	71973-5031	X	71973-5131	X	71973-5231	3.000 (76.20)	3.095 (78.61)																			

10		9			8			7			6			5		4			3			2			1				
NO. OF CKTS		OPTION G ASSEMBLY PACKAGED IN TUBES PER PK-70873-0138 (SEE SHEET 1 FOR FINISH SPECIFICATIONS)									DIMENSION			NO. OF CKTS		OPTION G ASSEMBLY PACKAGED IN TUBES PER PK-70873-0138 (SEE SHEET 1 FOR FINISH SPECIFICATIONS)									DIMENSION				
PER ROW	TOTAL	15 GOLD			30 GOLD			50 GOLD			A	B			PER ROW	TOTAL	15 GOLD			30 GOLD			50 GOLD			A	B		
F	4	8	X	71973-5004	X	71973-5104	X	71973-5204	.300 (7.62)	.395 (10.03)			32	64	X	71973-5032	X	71973-5132	X	71973-5232	3.100 (78.74)	3.195 (81.15)			F				
	5	10	X	71973-5005	X	71973-5105	X	71973-5205	.400 (10.16)	.495 (12.57)				33	66	X	71973-5033	X	71973-5133	X	71973-5233	3.200 (81.28)	3.295 (83.69)						
	6	12	X	71973-5006	X	71973-5106	X	71973-5206	.500 (12.70)	.595 (15.11)				34	68	X	71973-5034	X	71973-5134	X	71973-5234	3.300 (83.82)	3.395 (86.23)						
	7	14	X	71973-5007	X	71973-5107	X	71973-5207	.600 (15.24)	.695 (17.65)				35	70	X	71973-5035	X	71973-5135	X	71973-5235	3.400 (86.36)	3.495 (88.77)						
	8	16	X	71973-5008	X	71973-5108	X	71973-5208	.700 (17.78)	.795 (20.19)				36	72	X	71973-5036	X	71973-5136	X	71973-5236	3.500 (88.90)	3.595 (91.31)						
	9	18	X	71973-5009	X	71973-5109	X	71973-5209	.800 (20.32)	.895 (22.73)																			
E	10	20	X	71973-5010	X	71973-5110	X	71973-5210	.900 (22.86)	.995 (25.27)																			
	11	22	X	71973-5011	X	71973-5111	X	71973-5211	1.000 (25.40)	1.095 (27.81)																			
	12	24	X	71973-5012	X	71973-5112	X	71973-5212	1.100 (27.94)	1.195 (30.35)																			
	13	26	X	71973-5013	X	71973-5113	X	71973-5213	1.200 (30.48)	1.295 (32.89)																			
	14	28	X	71973-5014	X	71973-5114	X	71973-5214	1.300 (33.02)	1.395 (35.43)																			
	15	30	X	71973-5015	X	71973-5115	X	71973-5215	1.400 (35.56)	1.495 (37.97)																			
D	16	32	X	71973-5016	X	71973-5116	X	71973-5216	1.500 (38.10)	1.595 (40.51)																			
	17	34	X	71973-5017	X	71973-5117	X	71973-5217	1.600 (40.64)	1.695 (43.05)																			
	18	36	X	71973-5018	X	71973-5118	X	71973-5218	1.700 (43.18)	1.795 (45.59)																			
	19	38	X	71973-5019	X	71973-5119	X	71973-5219	1.800 (45.72)	1.895 (48.13)																			
	20	40	X	71973-5020	X	71973-5120	X	71973-5220	1.900 (48.26)	1.995 (50.67)																			
	21	42	X	71973-5021	X	71973-5121	X	71973-5221	2.000 (50.80)	2.095 (53.21)																			
	22	44	X	71973-5022	X	71973-5122	X	71973-5222	2.100 (53.34)	2.195 (55.75)																			
C	23	46	X	71973-5023	X	71973-5123	X	71973-5223	2.200 (55.88)	2.295 (58.29)																			
	24	48	X	71973-5024	X	71973-5124	X	71973-5224	2.300 (58.42)	2.395 (60.83)																			
	25	50	X	71973-5025	X	71973-5125	X	71973-5225	2.400 (60.96)	2.495 (63.37)																			
	26	52	X	71973-5026	X	71973-5126	X	71973-5226	2.500 (63.50)	2.595 (65.91)																			
	27	54	X	71973-5027	X	71973-5127	X	71973-5227	2.600 (66.04)	2.695 (68.45)																			
	28	56	X	71973-5028	X	71973-5128	X	71973-5228	2.700 (68.58)	2.795 (70.99)																			
	29	58	X	71973-5029	X	71973-5129	X	71973-5229	2.800 (71.12)	2.895 (73.53)																			
B	30	60	X	71973-5030	X	71973-5130	X	71973-5230	2.900 (73.66)	2.995 (76.07)																			
	31	62	X	71973-5031	X	71973-5131	X	71973-5231	3.000 (76.20)	3.095 (78.61)																			

"X" INDICATES TOOLING IS NOT AVAILABLE.

THIS DRAWING CONTAINS INFORMATION THAT IS PROPRIETARY TO MOLEX ELECTRONIC TECHNOLOGIES, LLC AND SHOULD NOT BE USED WITHOUT WRITTEN PERMISSION													
DIMENSION UNITS		SCALE		CURRENT REV DESC: OBSOLETE PART NUMBER						 <p>EARLY ENTRY R/A RECPT .120"PC TAIL W/O LOWER ROW PINSTOP-.100" GRID</p>			
IN/MM		NTS											
GENERAL TOLERANCES (UNLESS SPECIFIED)													
		MM		INCH									
4 PLACES		±		±									
3 PLACES		±		± 0.01									
2 PLACES		± 0.25		±									
1 PLACE		±		±									


10		9			8			7			6			5		4			3			2			1								
NO. OF CKTS		OPTION H ASSEMBLY PACKAGED IN TRAYS PER PK-70873-0239 (SEE SHEET 1 FOR FINISH SPECIFICATIONS)									DIMENSION						NO. OF CKTS		OPTION H ASSEMBLY PACKAGED IN TRAYS PER PK-70873-0239 (SEE SHEET 1 FOR FINISH SPECIFICATIONS)									DIMENSION					
PER ROW	TOTAL	15 GOLD			30 GOLD			50 GOLD			A	B				D	PER ROW	TOTAL	15 GOLD			30 GOLD			50 GOLD			A	B				D
F	4	8			X	71973-9404	X	71973-9504	X	71973-9604	.300 (7.62)	.395 (10.03)			.658 (16.71)	33	66			X	71973-9433	X	71973-9533	X	71973-9633	3.200 (81.28)	3.295 (83.69)			3.558 (90.37)			
	5	10			X	71973-9405	X	71973-9505	X	71973-9605	.400 (10.16)	.495 (12.57)			.758 (19.25)	34	68			X	71973-9434	X	71973-9534	X	71973-9634	3.300 (83.82)	3.395 (86.23)			3.658 (92.91)			
	6	12			X	71973-9406	X	71973-9506	X	71973-9606	.500 (12.70)	.595 (15.11)			.858 (21.79)	35	70			X	71973-9435	X	71973-9535	X	71973-9635	3.400 (86.36)	3.495 (88.77)			3.758 (95.45)			
	7	14			X	71973-9407	X	71973-9507	X	71973-9607	.600 (15.24)	.695 (17.65)			.958 (24.33)	36	72			X	71973-9436	X	71973-9536	X	71973-9636	3.500 (88.90)	3.595 (91.31)			3.858 (97.99)			
	8	16			X	71973-9408	X	71973-9508	X	71973-9608	.700 (17.78)	.795 (20.19)			1.058 (26.87)																		
	9	18			X	71973-9409	X	71973-9509	X	71973-9609	.800 (20.32)	.895 (22.73)			1.158 (29.41)																		
E	10	20			X	71973-9410	X	71973-9510	X	71973-9610	.900 (22.86)	.995 (25.27)			1.258 (31.95)																		
	11	22			X	71973-9411	X	71973-9511	X	71973-9611	1.000 (25.40)	1.095 (27.81)			1.358 (34.49)																		
	12	24			X	71973-9412	X	71973-9512	X	71973-9612	1.100 (27.94)	1.195 (30.35)			1.458 (37.03)																		
	13	26			X	71973-9413	X	71973-9513	X	71973-9613	1.200 (30.48)	1.295 (32.89)			1.558 (39.57)																		
	14	28			X	71973-9414	X	71973-9514	X	71973-9614	1.300 (33.02)	1.395 (35.43)			1.658 (42.11)																		
	15	30			X	71973-9415	X	71973-9515	X	71973-9615	1.400 (35.56)	1.495 (37.97)			1.758 (44.65)																		
	16	32			X	71973-9416	X	71973-9516	X	71973-9616	1.500 (38.10)	1.595 (40.51)			1.858 (47.19)																		
D	17	34			X	71973-9417	X	71973-9517	X	71973-9617	1.600 (40.64)	1.695 (43.05)			1.958 (49.73)																		
	18	36			X	71973-9418	X	71973-9518	X	71973-9618	1.700 (43.18)	1.795 (45.59)			2.058 (52.27)																		
	19	38			X	71973-9419	X	71973-9519	X	71973-9619	1.800 (45.72)	1.895 (48.13)			2.158 (54.81)																		
	20	40			X	71973-9420	X	71973-9520	X	71973-9620	1.900 (48.26)	1.995 (50.67)			2.258 (57.35)																		
	21	42			X	71973-9421	X	71973-9521	X	71973-9621	2.000 (50.80)	2.095 (53.21)			2.358 (59.89)																		
	22	44			X	71973-9422	X	71973-9522	X	71973-9622	2.100 (53.34)	2.195 (55.75)			2.458 (62.43)																		
	23	46			X	71973-9423	X	71973-9523	X	71973-9623	2.200 (55.88)	2.295 (58.29)			2.558 (64.97)																		
	24	48			X	71973-9424	X	71973-9524	X	71973-9624	2.300 (58.42)	2.395 (60.83)			2.658 (67.51)																		
C	25	50			X	71973-9425	X	71973-9525	X	71973-9625	2.400 (60.96)	2.495 (63.37)			2.758 (70.05)																		
	26	52			X	71973-9426	X	71973-9526	X	71973-9626	2.500 (63.50)	2.595 (65.91)			2.858 (72.59)																		
	27	54			X	71973-9427	X	71973-9527	X	71973-9627	2.600 (66.04)	2.695 (68.45)			2.958 (75.13)																		
	28	56			X	71973-9428	X	71973-9528	X	71973-9628	2.700 (68.58)	2.795 (70.99)			3.058 (77.67)																		
	29	58			X	71973-9429	X	71973-9529	X	71973-9629	2.800 (71.12)	2.895 (73.53)			3.158 (80.21)																		
	30	60			X	71973-9430	X	71973-9530	X	71973-9630	2.900 (73.66)	2.995 (76.07)			3.258 (82.75)																		
	31	62			X	71973-9431	X	71973-9531	X	71973-9631	3.000 (76.20)	3.095 (78.61)			3.358 (85.29)																		
B	32	64			X	71973-9432	X	71973-9532	X	71973-9632	3.100 (78.74)	3.195 (81.15)			3.458 (87.83)																		

10		9			8			7			6			5		4			3			2			1								
NO. OF CKTS		OPTION H ASSEMBLY PACKAGED IN TRAYS PER PK-70873-0239 (SEE SHEET 1 FOR FINISH SPECIFICATIONS)									DIMENSION						NO. OF CKTS		OPTION H ASSEMBLY PACKAGED IN TRAYS PER PK-70873-0239 (SEE SHEET 1 FOR FINISH SPECIFICATIONS)									DIMENSION					
PER ROW	TOTAL	15 GOLD			30 GOLD			50 GOLD			A	B				D	PER ROW	TOTAL	15 GOLD			30 GOLD			50 GOLD			A	B				D
F	4	8			X	71973-9404	X	71973-9504	X	71973-9604	.300 (7.62)	.395 (10.03)			.658 (16.71)	33	66			X	71973-9433	X	71973-9533	X	71973-9633	3.200 (81.28)	3.295 (83.69)			3.558 (90.37)			
	5	10			X	71973-9405	X	71973-9505	X	71973-9605	.400 (10.16)	.495 (12.57)			.758 (19.25)	34	68			X	71973-9434	X	71973-9534	X	71973-9634	3.300 (83.82)	3.395 (86.23)			3.658 (92.91)			
	6	12			X	71973-9406	X	71973-9506	X	71973-9606	.500 (12.70)	.595 (15.11)			.858 (21.79)	35	70			X	71973-9435	X	71973-9535	X	71973-9635	3.400 (86.36)	3.495 (88.77)			3.758 (95.45)			
	7	14			X	71973-9407	X	71973-9507	X	71973-9607	.600 (15.24)	.695 (17.65)			.958 (24.33)	36	72			X	71973-9436	X	71973-9536	X	71973-9636	3.500 (88.90)	3.595 (91.31)			3.858 (97.99)			
	8	16			X	71973-9408	X	71973-9508	X	71973-9608	.700 (17.78)	.795 (20.19)			1.058 (26.87)																		
	9	18			X	71973-9409	X	71973-9509	X	71973-9609	.800 (20.32)	.895 (22.73)			1.158 (29.41)																		
E	10	20			X	71973-9410	X	71973-9510	X	71973-9610	.900 (22.86)	.995 (25.27)			1.258 (31.95)																		
	11	22			X	71973-9411	X	71973-9511	X	71973-9611	1.000 (25.40)	1.095 (27.81)			1.358 (34.49)																		
	12	24			X	71973-9412	X	71973-9512	X	71973-9612	1.100 (27.94)	1.195 (30.35)			1.458 (37.03)																		
	13	26			X	71973-9413	X	71973-9513	X	71973-9613	1.200 (30.48)	1.295 (32.89)			1.558 (39.57)																		
	14	28			X	71973-9414	X	71973-9514	X	71973-9614	1.300 (33.02)	1.395 (35.43)			1.658 (42.11)																		
	15	30			X	71973-9415	X	71973-9515	X	71973-9615	1.400 (35.56)	1.495 (37.97)			1.758 (44.65)																		
	16	32			X	71973-9416	X	71973-9516	X	71973-9616	1.500 (38.10)	1.595 (40.51)			1.858 (47.19)																		
D	17	34			X	71973-9417	X	71973-9517	X	71973-9617	1.600 (40.64)	1.695 (43.05)			1.958 (49.73)																		
	18	36			X	71973-9418	X	71973-9518	X	71973-9618	1.700 (43.18)	1.795 (45.59)			2.058 (52.27)																		
	19	38			X	71973-9419	X	71973-9519	X	71973-9619	1.800 (45.72)	1.895 (48.13)			2.158 (54.81)																		
	20	40			X	71973-9420	X	71973-9520	X	71973-9620	1.900 (48.26)	1.995 (50.67)			2.258 (57.35)																		
	21	42			X	71973-9421	X	71973-9521	X	71973-9621	2.000 (50.80)	2.095 (53.21)			2.358 (59.89)																		
	22	44			X	71973-9422	X	71973-9522	X	71973-9622	2.100 (53.34)	2.195 (55.75)			2.458 (62.43)																		
	23	46			X	71973-9423	X	71973-9523	X	71973-9623	2.200 (55.88)	2.295 (58.29)			2.558 (64.97)																		
	24	48			X	71973-9424	X	71973-9524	X	71973-9624	2.300 (58.42)	2.395 (60.83)			2.658 (67.51)																		
C	25	50			X	7																											

10		9			8			7				6
NO. OF CKTS		OPTION I ASSEMBLY PACKAGED IN TUBES PER PK-70873-0138 (SEE SHEET 1 FOR FINISH SPECIFICATIONS)						DIMENSION				
PER ROW	TOTAL				15 GOLD	30 GOLD	50 GOLD	A	B	C	D	
4	8			71973-9704	71973-9804	71973-9904	.300 (7.62)	.395 (10.03)	.200 (5.08)	.658 (16.71)		
5	10				71973-9805	71973-9905	.400 (10.16)	.495 (12.57)	.300 (7.62)	.758 (19.25)		
6	12				71973-9806	71973-9906	.500 (12.70)	.595 (15.11)	.400 (10.16)	.858 (21.79)		
7	14			71973-9707	71973-9807	71973-9907	.600 (15.24)	.695 (17.65)	.500 (12.70)	.958 (24.33)		
8	16			71973-9708	71973-9808	71973-9908	.700 (17.78)	.795 (20.19)	.600 (15.24)	1.058 (26.87)		
9	18			71973-9709	71973-9809	71973-9909	.800 (20.32)	.895 (22.73)	.700 (17.78)	1.158 (29.41)		
10	20			71973-9710	71973-9810	71973-9910	.900 (22.86)	.995 (25.27)	.800 (20.32)	1.258 (31.95)		
11	22			71973-9711	71973-9811	71973-9911	1.000 (25.40)	1.095 (27.81)	.900 (22.86)	1.358 (34.49)		
12	24			71973-9712	71973-9812	71973-9912	1.100 (27.94)	1.195 (30.35)	1.000 (25.40)	1.458 (37.03)		
13	26			71973-9713	71973-9813	71973-9913	1.200 (30.48)	1.295 (32.89)	1.100 (27.94)	1.558 (39.57)		
14	28			71973-9714	71973-9814	71973-9914	1.300 (33.02)	1.395 (35.43)	1.200 (30.48)	1.658 (42.11)		
15	30			71973-9715	71973-9815	71973-9915	1.400 (35.56)	1.495 (37.97)	1.300 (33.02)	1.758 (44.65)		
16	32			71973-9716	71973-9816	71973-9916	1.500 (38.10)	1.595 (40.51)	1.400 (35.56)	1.858 (47.19)		
17	34			71973-9717	71973-9817	71973-9917	1.600 (40.64)	1.695 (43.05)	1.500 (38.10)	1.958 (49.73)		
18	36			71973-9718	71973-9818	71973-9918	1.700 (43.18)	1.795 (45.59)	1.600 (40.64)	2.058 (52.27)		
19	38			71973-9719	71973-9819	71973-9919	1.800 (45.72)	1.895 (48.13)	1.700 (43.18)	2.158 (54.81)		
20	40			71973-9720	71973-9820	71973-9920	1.900 (48.26)	1.995 (50.67)	1.800 (45.72)	2.258 (57.35)		
21	42			71973-9721	71973-9821	71973-9921	2.000 (50.80)	2.095 (53.21)	1.900 (48.26)	2.358 (59.89)		
22	44			71973-9722	71973-9822	71973-9922	2.100 (53.34)	2.195 (55.75)	2.000 (50.80)	2.458 (62.43)		
23	46			71973-9723	71973-9823	71973-9923	2.200 (55.88)	2.295 (58.29)	2.100 (53.34)	2.558 (64.97)		
24	48			71973-9724	71973-9824	71973-9924	2.300 (58.42)	2.395 (60.83)	2.200 (55.88)	2.658 (67.51)		
25	50			71973-9725	71973-9825	71973-9925	2.400 (60.96)	2.495 (63.37)	2.300 (58.42)	2.758 (70.05)		
26	52			71973-9726	71973-9826	71973-9926	2.500 (63.50)	2.595 (65.91)	2.400 (60.96)	2.858 (72.59)		
27	54			71973-9727	71973-9827	71973-9927	2.600 (66.04)	2.695 (68.45)	2.500 (63.50)	2.958 (75.13)		
28	56			71973-9728	71973-9828	71973-9928	2.700 (68.58)	2.795 (70.99)	2.600 (66.04)	3.058 (77.67)		
29	58			71973-9729	71973-9829	71973-9929	2.800 (71.12)	2.895 (73.53)	2.700 (68.58)	3.158 (80.21)		
30	60			71973-9730	71973-9830	71973-9930	2.900 (73.66)	2.995 (76.07)	2.800 (71.12)	3.258 (82.75)		
31	62			71973-9731	71973-9831	71973-9931	3.000 (76.20)	3.095 (78.61)	2.900 (73.66)	3.358 (85.29)		
32	64			71973-9732	71973-9832	71973-9932	3.100 (78.74)	3.195 (81.15)	3.000 (76.20)	3.458 (87.83)		
33	66			71973-9733	71973-9833	71973-9933	3.200 (81.28)	3.295 (83.69)	3.100 (78.74)	3.558 (90.37)		

5		4			3			2				1
NO. OF CKTS		OPTION I ASSEMBLY PACKAGED IN TUBES PER PK-70873-0138 (SEE SHEET 1 FOR FINISH SPECIFICATIONS)						DIMENSION				
PER ROW	TOTAL				15 GOLD	30 GOLD	50 GOLD	A	B	C	D	
34	68			71973-9734	71973-9834	71973-9934	3.300 (83.82)	3.395 (86.23)	3.200 (81.28)	3.658 (92.91)		
35	70			71973-9735	71973-9835	71973-9935	3.400 (86.36)	3.495 (88.77)	3.300 (83.82)	3.758 (95.45)		
36	72			71973-9736	71973-9836	71973-9936	3.500 (88.90)	3.595 (91.31)	3.400 (86.36)	3.858 (97.99)		

"X" INDICATES TOOLING IS NOT AVAILABLE

THIS DRAWING CONTAINS INFORMATION THAT IS PROPRIETARY TO MOLEX ELECTRONIC TECHNOLOGIES, LLC AND SHOULD NOT BE USED WITHOUT WRITTEN PERMISSION															
DIMENSION UNITS		SCALE		CURRENT REV DESC: OBSOLETE PART NUMBER											
IN/MM		NTS													
GENERAL TOLERANCES (UNLESS SPECIFIED)															
		MM		INCH											
4 PLACES		±		±											
3 PLACES		±		± 0.01											
2 PLACES		±		± 0.25											
1 PLACE		±		±											
0 PLACES		±		±											
ANGULAR TOL		± 0.5°													
DRAFT WHERE APPLICABLE MUST REMAIN WITHIN DIMENSIONS				THIRD ANGLE PROJECTION		DRAWING		SERIES		MATERIAL NUMBER		CUSTOMER		SHEET NUMBER	
						A3-SIZE		71973		SEE TABLE		GENERAL MARKET		23 OF 25	


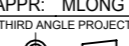
DOCUMENT STATUS	P1	RELEASE DATE	2022/09/16	08:19:07
-----------------	----	--------------	------------	----------

EC NO:	718009	DRWN:	ABHISP1	2021/02/12	
CHK'D:	DANUSA	2022/09/16	APPR:	MRAMAKRISHNA	
INITIAL REVISION:	DRWN:	DJB	1991/10/21	2010/01/14	
APPR:	MLONG	2022/09/16	DOCUMENT NUMBER	SDA-71973-XXXX	
DOC TYPE	PSD	DOC PART	001	REVISION	L

10		9		8		7		6			
NO. OF CKTS		OPTION L ASSEMBLY PACKAGED IN TUBES PER PK-70873-0138 (SEE SHEET 1 FOR FINISH SPECIFICATIONS)					DIMENSION				
		15 GOLD		30 GOLD		50 GOLD		A	B		
PER ROW	TOTAL										
4	8			71973-5404	71973-5504	71973-5604	.300 (7.62)	.395 (10.03)			
5	10			71973-5405	71973-5505	71973-5605	.400 (10.16)	.495 (12.57)			
6	12			71973-5406	71973-5506	71973-5606	.500 (12.70)	.595 (15.11)			
7	14			71973-5407	71973-5507	71973-5607	.600 (15.24)	.695 (17.65)			
8	16			71973-5408	71973-5508	71973-5608	.700 (17.78)	.795 (20.19)			
9	18			71973-5409	71973-5509	71973-5609	.800 (20.32)	.895 (22.73)			
10	20			71973-5410	71973-5510	71973-5610	.900 (22.86)	.995 (25.27)			
11	22			71973-5411	71973-5511	71973-5611	1.000 (25.40)	1.095 (27.81)			
12	24			71973-5412	71973-5512	71973-5612	1.100 (27.94)	1.195 (30.35)			
13	26			71973-5413	71973-5513	71973-5613	1.200 (30.48)	1.295 (32.89)			
14	28			71973-5414	71973-5514	71973-5614	1.300 (33.02)	1.395 (35.43)			
15	30			71973-5415	71973-5515	71973-5615	1.400 (35.56)	1.495 (37.97)			
16	32			71973-5416	71973-5516	71973-5616	1.500 (38.10)	1.595 (40.51)			
17	34			71973-5417	71973-5517	71973-5617	1.600 (40.64)	1.695 (43.05)			
18	36			71973-5418	71973-5518	71973-5618	1.700 (43.18)	1.795 (45.59)			
19	38			71973-5419	71973-5519	71973-5619	1.800 (45.72)	1.895 (48.13)			
20	40			71973-5420	71973-5520	71973-5620	1.900 (48.26)	1.995 (50.67)			
21	42			71973-5421	71973-5521	71973-5621	2.000 (50.80)	2.095 (53.21)			
22	44			71973-5422	71973-5522	71973-5622	2.100 (53.34)	2.195 (55.75)			
23	46			71973-5423	71973-5523	71973-5623	2.200 (55.88)	2.295 (58.29)			
24	48			71973-5424	71973-5524	71973-5624	2.300 (58.42)	2.395 (60.83)			
25	50			71973-5425	71973-5525	71973-5625	2.400 (60.96)	2.495 (63.37)			
26	52			71973-5426	71973-5526	71973-5626	2.500 (63.50)	2.595 (65.91)			
27	54			71973-5427	71973-5527	71973-5627	2.600 (66.04)	2.695 (68.45)			
28	56			71973-5428	71973-5528	71973-5628	2.700 (68.58)	2.795 (70.99)			
29	58			71973-5429	71973-5529	71973-5629	2.800 (71.12)	2.895 (73.53)			
30	60			71973-5430	71973-5530	71973-5630	2.900 (73.66)	2.995 (76.07)			

5		4		3		2		1			
NO. OF CKTS		OPTION L ASSEMBLY PACKAGED IN TUBES PER PK-70873-0138 (SEE SHEET 1 FOR FINISH SPECIFICATIONS)					DIMENSION				
		15 GOLD		30 GOLD		50 GOLD		A	B		
PER ROW	TOTAL										
31	62			71973-5431	71973-5531	71973-5631	3.000 (76.20)	3.095 (78.61)			
32	64			71973-5432	71973-5532	71973-5632	3.100 (78.74)	3.195 (81.15)			
33	66			71973-5433	71973-5533	71973-5633	3.200 (81.28)	3.295 (83.69)			
34	68			71973-5434	71973-5534	71973-5634	3.300 (83.82)	3.395 (86.23)			
35	70			71973-5435	71973-5535	71973-5635	3.400 (86.36)	3.495 (88.77)			
36	72			71973-5436	71973-5536	71973-5636	3.500 (88.90)	3.595 (91.31)			

"X" INDICATES TOOLING IS NOT AVAILABLE

THIS DRAWING CONTAINS INFORMATION THAT IS PROPRIETARY TO MOLEX ELECTRONIC TECHNOLOGIES, LLC AND SHOULD NOT BE USED WITHOUT WRITTEN PERMISSION											
DIMENSION UNITS		SCALE		CURRENT REV DESC: OBSOLETE PART NUMBER							
IN/MM		NTS									
GENERAL TOLERANCES (UNLESS SPECIFIED)				MM		INCH		EARLY ENTRY R/A RECPT .120"PC TAIL W/O LOWER ROW PINSTOP-.100" GRID PRODUCT CUSTOMER DRAWING			
4 PLACES	±		±								
3 PLACES	±		± 0.01								
2 PLACES	±	0.25	±								
1 PLACE	±		±								
0 PLACES	±		±								
ANGULAR TOL ± 0.5°				THIRD ANGLE PROJECTION		DRAWING		SERIES		DOCUMENT NUMBER	
DRAFT WHERE APPLICABLE MUST REMAIN WITHIN DIMENSIONS						A3-SIZE		71973		SDA-71973-XXXX	
								MATERIAL NUMBER		CUSTOMER	
								SEE TABLE		GENERAL MARKET	
										SHEET NUMBER	
										25 OF 25	