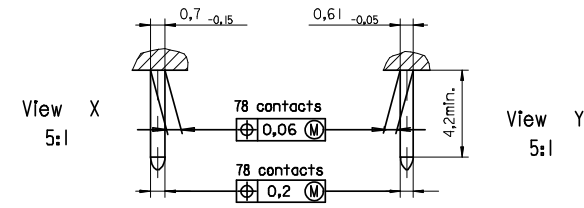
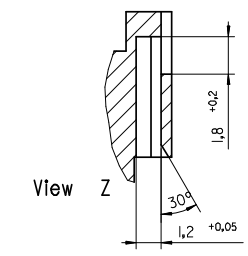
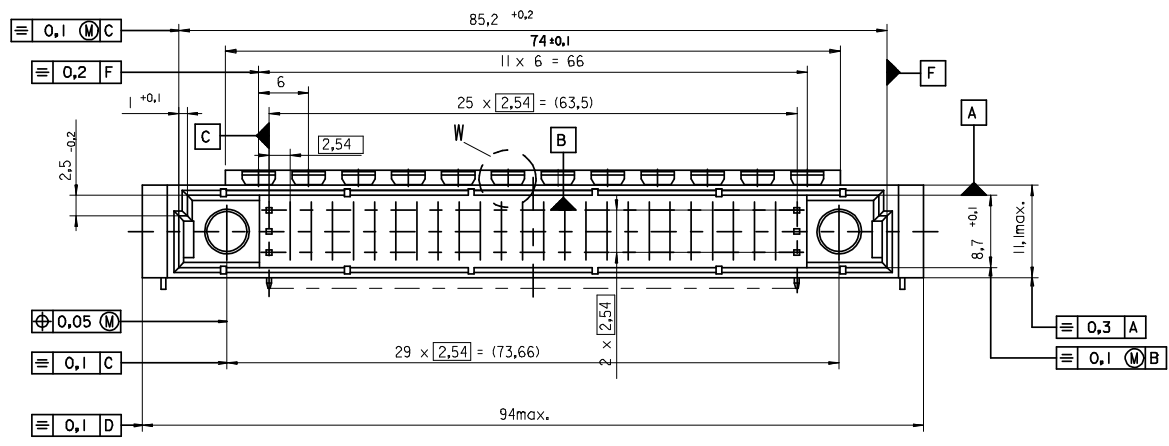
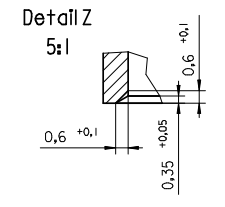
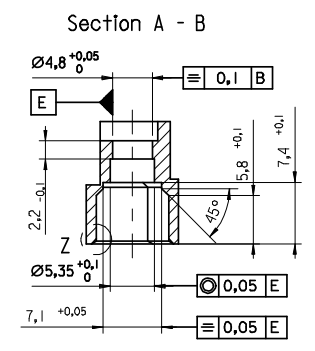
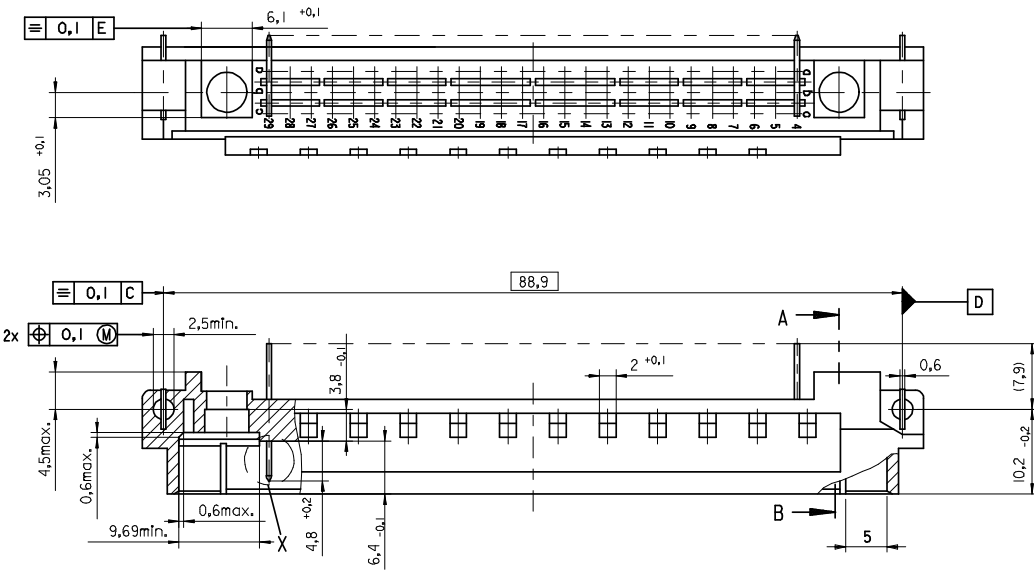
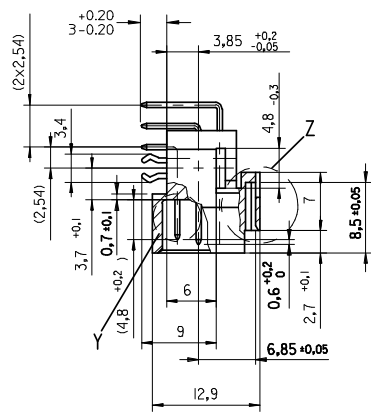


View Y
5:1

ENTER DESCRIPTION EC NO: 12009-0039 DRAWNSJ 2008/07/28 CHYK:KPRASAD 2008/07/31 APPR:KPRASAD 2008/08/11	QUALITY SYMBOLS ▽=0 ▽=0	GENERAL TOLERANCES (UNLESS SPECIFIED)		DIMENSION STYLE MM ONLY		SCALE 2:1	DESIGN UNITS METRIC	THIRD ANGLE PROJECTION	
		4 PLACES ± --- ± --- 3 PLACES ± --- ± --- 2 PLACES ± --- ± --- 1 PLACE ± --- ± ---	mm INCH ± --- ± --- ± --- ± --- ± --- ± ---	DRAWN BY CA	DATE 1995/06/13	CHECKED BY KN	DATE 1995/06/13	TITLE 78POS. MALE DIN CONNECTOR DIN 4162 STYLE M	
DRAFT WHERE APPLICABLE MUST REMAIN WITHIN DIMENSIONS		APPROVED BY KN		DATE 1995/06/13		MOLEX INCORPORATED			
MATERIAL NO.		DOCUMENT NO. SDA-85009-0004		SHEET NO. 1 OF 2		SIZE A2 THIS DRAWING CONTAINS INFORMATION THAT IS PROPRIETARY TO MOLEX INCORPORATED AND SHOULD NOT BE USED WITHOUT WRITTEN PERMISSION			



ENTER DESCRIPTION EC NO: 12009-0039 DRAWNSJ CHYK:KPRASAD APPR:KPRASAD 2008/07/28 2008/07/31 2008/08/11	QUALITY SYMBOLS ▽=0 ▽=0	GENERAL TOLERANCES (UNLESS SPECIFIED)		DIMENSION STYLE MM ONLY		SCALE 2:1	DESIGN UNITS METRIC	THIRD ANGLE PROJECTION		
		4 PLACES ± --- ± --- 3 PLACES ± --- ± --- 2 PLACES ± --- ± --- 1 PLACE ± --- ± ---	mm INCH	DRAWN BY CA	DATE 1995/06/14	TITLE 78POS. MALE DIN CONNECTOR DIN 41612 STYLE M				
		ANGULAR ± 2 °		CHECKED BY KN	DATE 1995/06/14	APPROVED BY KN		DATE 1995/06/14	MOLEX INCORPORATED	
		DRAFT WHERE APPLICABLE MUST REMAIN WITHIN DIMENSIONS		MATERIAL NO. -----	DOCUMENT NO. SDA-85009-0004	SHEET NO. 2 OF 2				

SIZE A2 THIS DRAWING CONTAINS INFORMATION THAT IS PROPRIETARY TO MOLEX INCORPORATED AND SHOULD NOT BE USED WITHOUT WRITTEN PERMISSION

