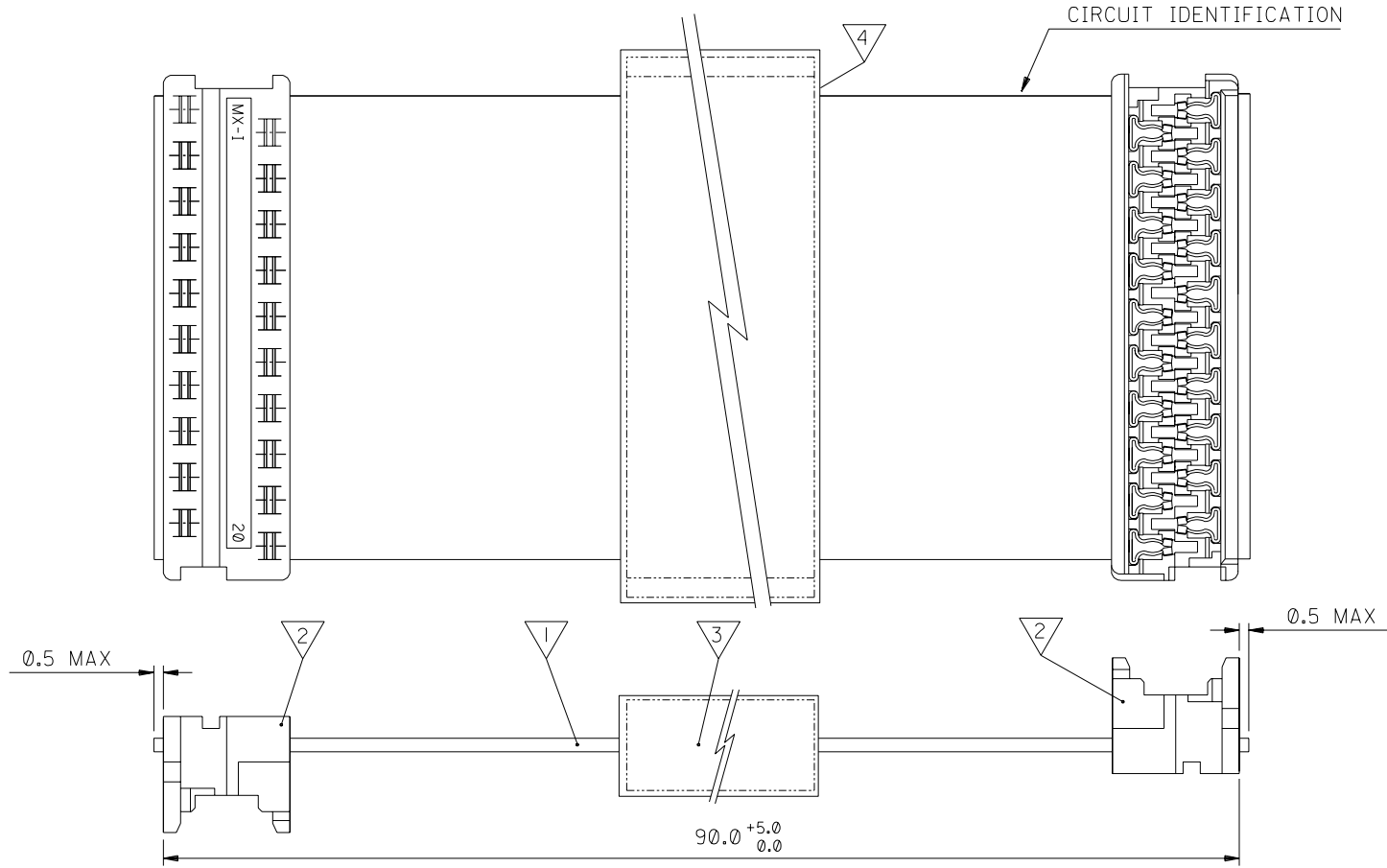


PART NO. 92301-0098  
 DWG. NO. SD-92301-141



ITEM	COMPONENT	DESCRIPTION	QTY	NOTE
1	99026-0002	20 CKT 28 AWG STRANDED TINNED RIBBON CABLE	1	3, 4
2	90327-0385	PICOFLEX FEMALE IDT CONNECTOR	2	1, 2, 4
3	90848-0338	FERRITE, FERRITE INTERNATIONAL REF FF33.5X20.0X6.5X1.3	1	5
4	90848-0591	HEATSHRINK(REF. CGPT25.4/12.7, BLACK)	1	5

NOTES:  
 1. SEE PRODUCT SPECIFICATIONS PS-99020-0011.  
 2. SEE TERMINATION SPECIFICATION ES-99033-0001.  
 3. SEE CABLE SPECIFICATION ES-99027-0006.  
 4. HARNESSES TO BE 100% ELECTRICALLY TESTED.  
 5. SUPPLIER OR CUSTOMER APPROVED EQUIVALENT.

CUSTOMER P/N: 4464-016

ADDED H/SHRINK EC NO. 2002-0721 DRAWN: BENRIGHT 02/02/12 CHK: / / / / APPR: / / / / <b>B</b>	DESCRIPTION MAJOR CRITICAL <b>C</b>	GENERAL TOLERANCES: (UNLESS SPECIFIED)		SCALE 4 : 1	DESIGN UNITS <input checked="" type="checkbox"/> mm <input type="checkbox"/> INCH	DIMENSIONS: <input type="checkbox"/> mm <input type="checkbox"/> INCH <input type="checkbox"/> mm ONLY	SHT REV
		4 PLACES ±0. ±. 3 PLACES ±0. ±. 2 PLACES ±0. ±. 1 PLACE ±0. ±.	DRAWN BY & DATE D.RYAN 99/03/05	THIRD ANGLE PROJECTION <input checked="" type="checkbox"/> THIRD ANGLE <input type="checkbox"/> FIRST ANGLE		TITLE: 20 CKT RIBBON CABLE HARNESS	
DRAFT WHERE APPLICABLE MUST REMAIN WITHIN DIMENSIONS		THIS DRAWING CONTAINS INFORMATION THAT IS PROPRIETARY TO MOLEX INCORPORATED AND SHOULD NOT BE USED WITHOUT WRITTEN PERMISSION.					SIZE B