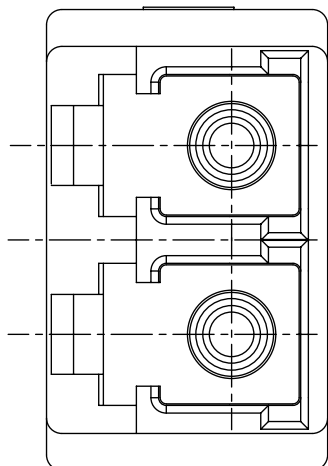
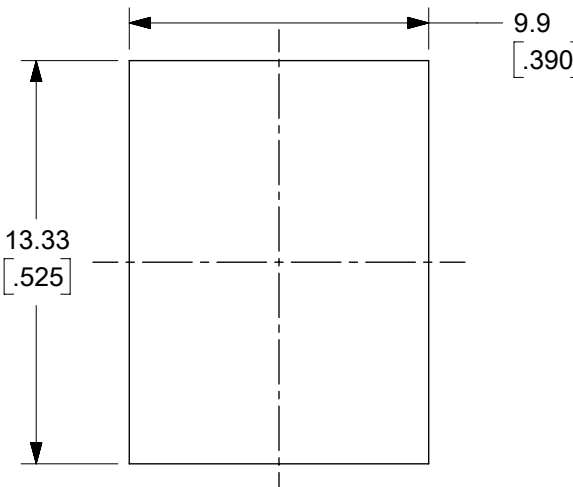
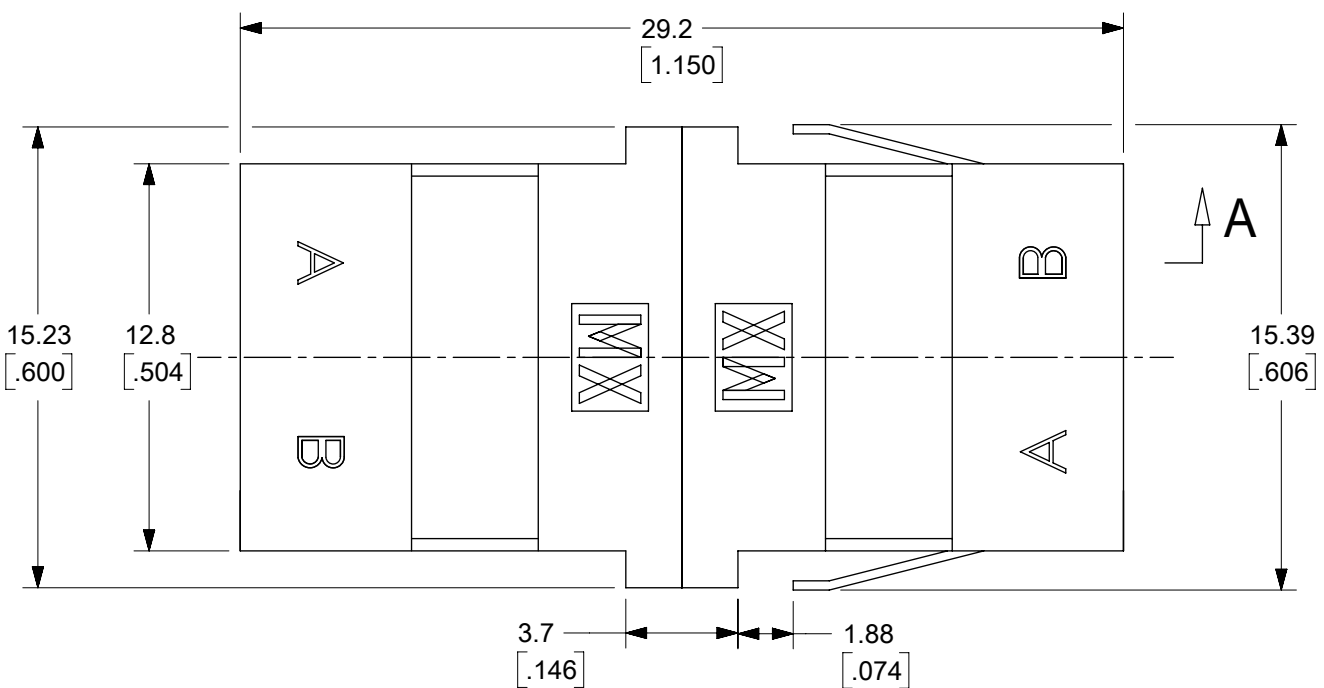


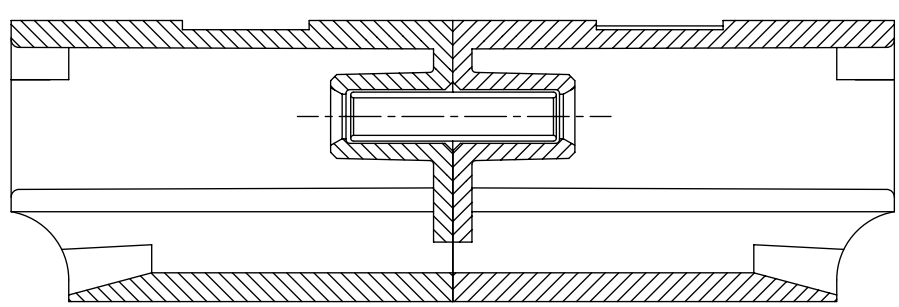
LC ADAPTER ASSY.P/N	ADAPTER COLOR	SPLIT SLEEVE	DUST CAP COLOR
106126-0410	BEIGE	ZR	WHITE
106126-0510	BLUE		
106126-1400			
106126-1415*			
106126-1416**			
106126-1450	GREEN		INDIGO BLUE (ANTI-STATIC)
106126-1460	BLUE		WHITE
106126-1410	BLACK		
106126-1420	BEIGE		
106126-1430	AQUA		
106126-3410	BLACK		



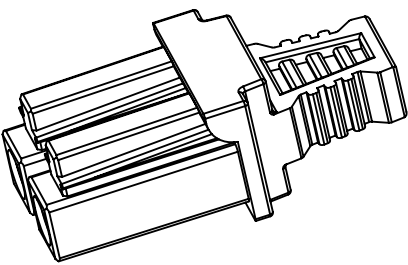
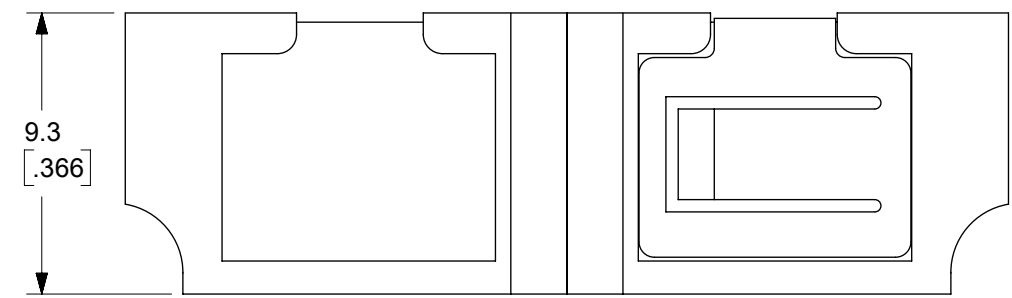
A



RECOMMENDED MOUNTING CUTOUT FOR 0.063INCH(1.6MM) PANNEL



SECTION A-A



ISO VIEW FOR DUST CAP X2  
SEE NOTE 2

- Notes:
- 1.ALL DIMENSIONS ARE FOR REFERENCE ONLY.
  - 2.DUST CAP NEED ASSEMBLY WITH ADAPTOR
  - \*3. P/N 106126-1415 IS BULK PACKED IN QUANTITIES OF 100 PCS.
  - \*\*4. P/N 106126-1416 IS BULK PACKED AS FOLLOWS: 500 pcs. OF ADAPTERS PER BAG.

THIS DRAWING CONTAINS INFORMATION THAT IS PROPRIETARY TO MOLEX ELECTRONIC TECHNOLOGIES, LLC AND SHOULD NOT BE USED WITHOUT WRITTEN PERMISSION									
DIMENSION UNITS: HYBRID		SCALE: 1:1		CURRENT REV DESC:				<b>molex</b>	
GENERAL TOLERANCES (UNLESS SPECIFIED)		ANGULAR TOL ± 0.5°		EC NO: 703605					
4 PLACES ±		3 PLACES ±		DRWN: JHUANG18		2022/04/01		LC DUPLEX ADAPTER (SMALL FLANGE/SC FOOT PRINT)	
2 PLACES ±		1 PLACE ±		CHKD: IGUMIN		2022/05/05		PRODUCT CUSTOMER DRAWING	
0 PLACES ±		INITIAL REVISION:		APPR: IGUMIN		2022/05/05		DOCUMENT NUMBER	
DRAFT WHERE APPLICABLE MUST REMAIN WITHIN DIMENSIONS		THIRD ANGLE PROJECTION		DRAWING		SERIES		REVISION	
				B-SIZE		106126		SD-106126-X4X0	
				MATERIAL NUMBER		CUSTOMER		PSD 001 F1	
				SEE TABLE		GENERAL MARKET		1 OF 1	