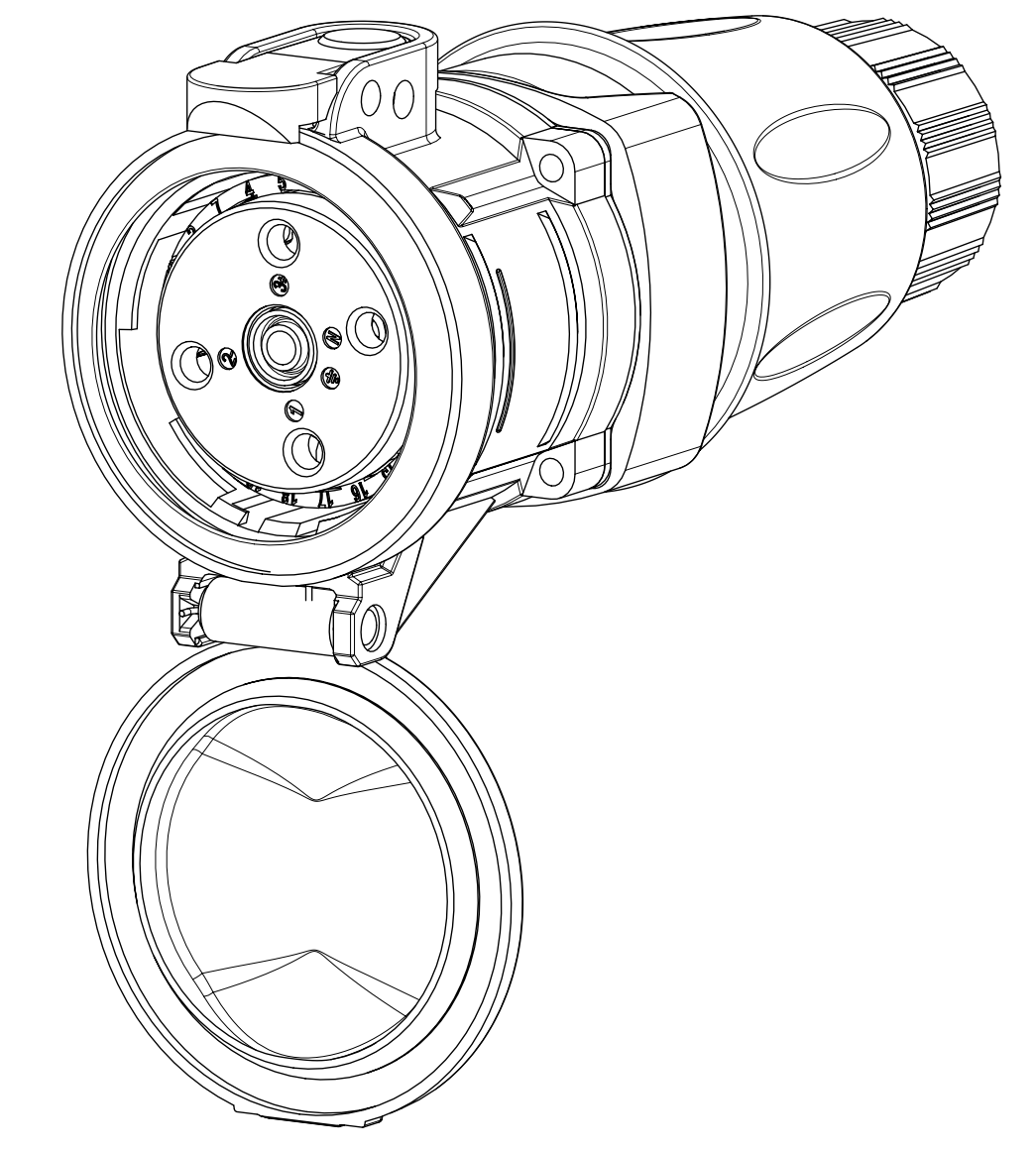
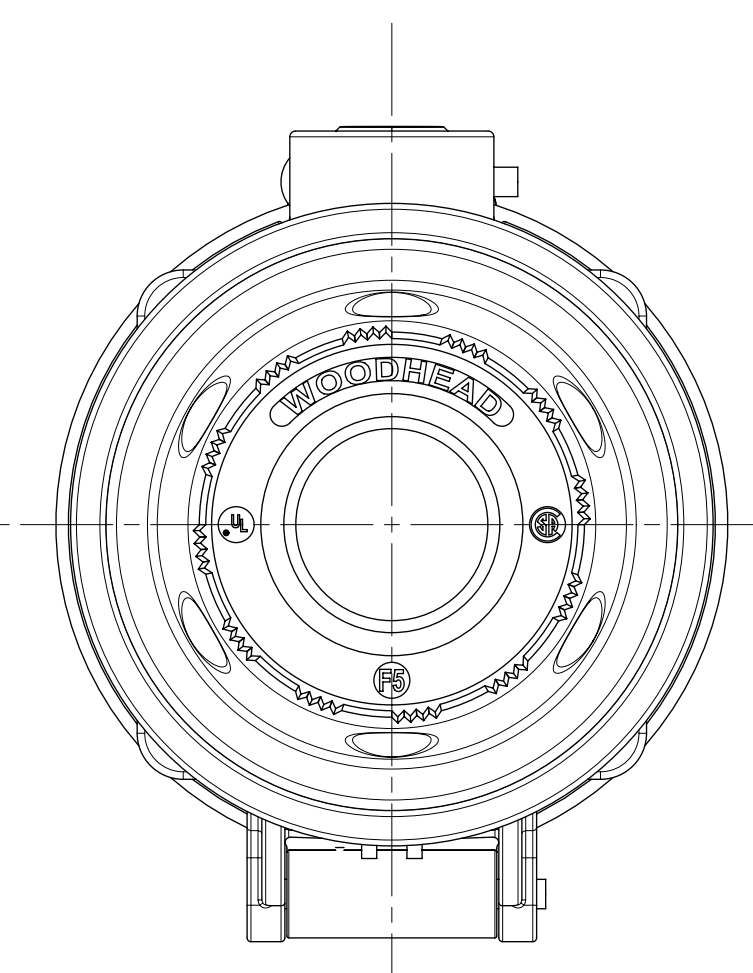
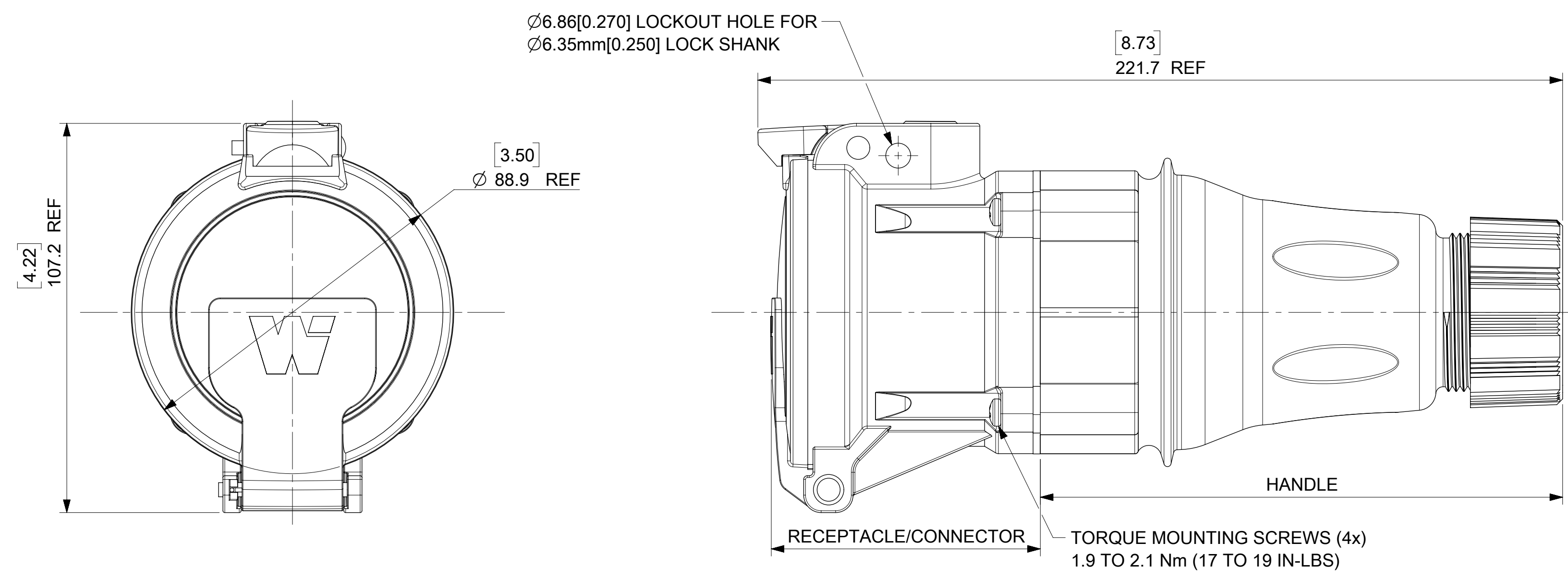
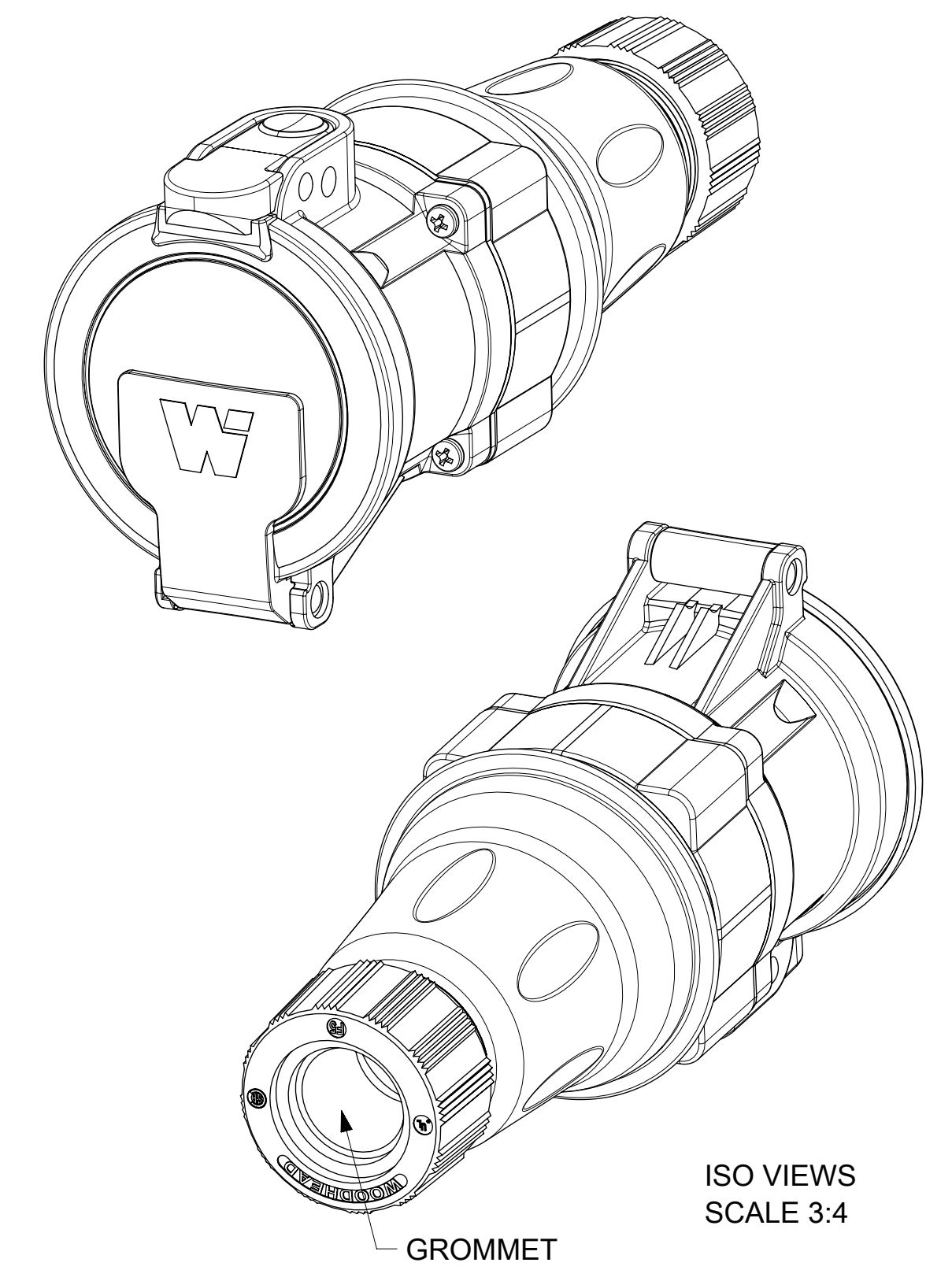
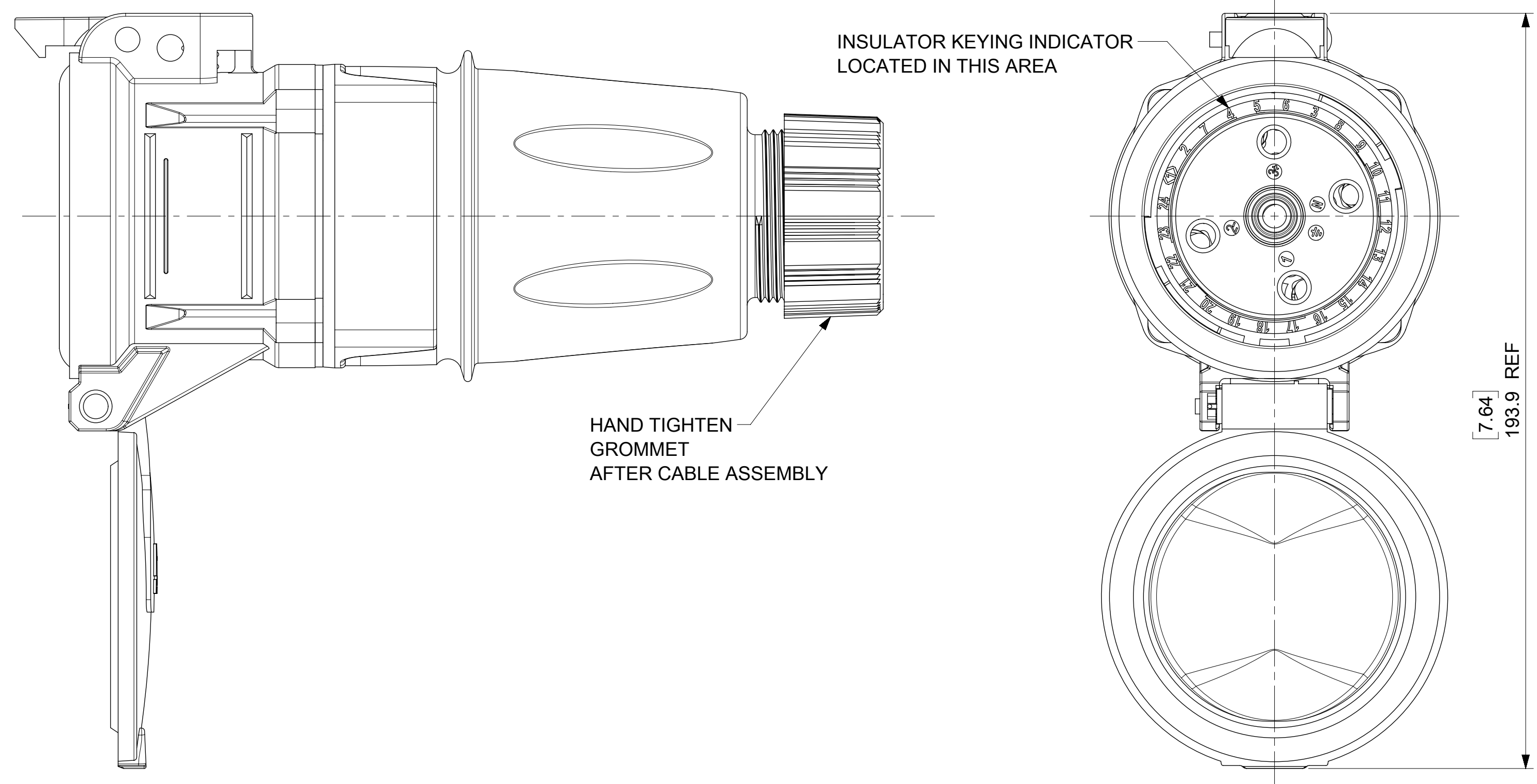


| MATERIAL NUMBER | ENGINEERING NUMBER | DESCRIPTION | INSULATOR KEYING POSITION | HORSEPOWER RATING |
|-----------------|--------------------|------------------------------|---------------------------|-------------------|
| 1122170029 | ARC60FHA01 | ARC 60A FH 125VAC 1P+N+G | 7 | 2 HP |
| 1122170030 | ARC60FHB02 | ARC 60A FH 250VAC 2P+G | | 3 HP |
| 1122170031 | ARC60FHB03 | ARC 60A FH 250VAC 3P+G | | 7.5 HP |
| 1122170032 | ARC60FHA04 | ARC 60A FH 125/250VAC 2P+N+G | 16 | NA |
| 1122170033 | ARC60FHC02 | ARC 60A FH 208VAC 2P+G | | NA |
| 1122170034 | ARC60FHC03 | ARC 60A FH 208VAC 3P+G | | 7.5 HP |
| 1122170035 | ARC60FHAC05 | ARC 60A FH 120/208VAC 3P+N+G | 4 | NA |
| 1122170036 | ARC60FHD01 | ARC 60A FH 277VAC 1P+N+G | | NA |
| 1122170037 | ARC60FHE02 | ARC 60A FH 480VAC 2P+G | | NA |
| 1122170038 | ARC60FHE03 | ARC 60A FH 480VAC 3P+G | 14 | 20 HP |
| 1122170039 | ARC60FHDE05 | ARC 60A FH 277/480VAC 3P+N+G | | NA |
| 1122170040 | ARC60FHF02 | ARC 60A FH 600VAC 2P+G | | NA |
| 1122170041 | ARC60FHF03 | ARC 60A FH 600VAC 3P+G | | 20 HP |
| 1122170042 | ARC60FHGF05 | ARC 60A FH 347/600VAC 3P+N+G | | NA |



NOTES:

MATERIALS:
HANDLE, HOUSINGS AND INSULATORS: GLASS FILLED PBT
CONTACTS: COPPER ALLOY WITH A SILVER NICKEL TIP, SILVER PLATED
MOUNTING AND INTERFACE GASKETS: SILICONE
GROMMET - RUBBER
FRICTION RING - NATURAL POLYETHYLENE
COMPRESSION NUT - BLACK PBT
SELF TAPPING SCREWS - STAINLESS STEEL

RATINGS:
CURRENT: 60 AMPS
VOLTAGE AND HORSEPOWER: SEE TABLE
AMBIENT OPERATING TEMPERATURE: -25°C (-13°F) TO 60°C (140°F)
(WITH MAX. 30°C RISE ABOVE AMBIENT)
ENVIRONMENTAL: NEMA TYPE 4X & IP69K
WIRING CAPACITY: 10 AWG MIN. TO 4 AWG MAX.
TORQUE TERMINAL SCREWS TO 1.7 Nm (15 in-lbs)
AGENCY: UL LISTING PENDING
SWITCH RATED RECEPTACLE/CONNECTOR
BRANCH CIRCUIT DISCONNECT SWITCH
MOTOR CIRCUIT DISCONNECT SWITCH IF HP RATED

RECEPTACLE/CONNECTOR AND HANDLE ARE PACKAGED SEPARATELY.
END USER ASSEMBLY REQUIRED PER INSTRUCTIONS INCLUDED.

| GROMMET P/N | GROMMET COLOR | CABLE DIAMETER RANGE |
|-------------|---------------|--------------------------------|
| 1301800308 | ORANGE | 19.05mm-22.25mm(.750"-.875") |
| 1301800309 | YELLOW | 22.23mm-25.40mm(.875"-1.000") |
| 1301800310 | BLACK | 25.40mm-28.57mm(1.000"-1.125") |

THIS DRAWING CONTAINS INFORMATION THAT IS PROPRIETARY TO MOLEX ELECTRONIC TECHNOLOGIES, LLC AND SHOULD NOT BE USED WITHOUT WRITTEN PERMISSION

| | | | |
|--|------------------------|--|--------------|
| DIMENSION UNITS | SCALE | CURRENT REV DESC: GENERAL MARKET RELEASE | |
| MM/INCH | 1:1 | | |
| GENERAL TOLERANCES (UNLESS SPECIFIED) | | | |
| | MM | INCH | |
| 4 PLACES | ± | ± | |
| 3 PLACES | ± | ± 0.01 | |
| 2 PLACES | ± | ± 0.25 | ± 0.02 |
| 1 PLACE | ± | ± 0.5 | ± 0.04 |
| 0 PLACES | ± | ± 1.0 | ± |
| ANGULAR TOL | ± | ± 3.0 ° | |
| DRAFT WHERE APPLICABLE MUST REMAIN WITHIN DIMENSIONS | THIRD ANGLE PROJECTION | | |
| | | DRAWING | SERIES |
| | | D-SIZE | 112217 |
| EC NO: 674097 | | 2021/08/17 | |
| DRWN: MJANTELEZIO | | 2021/08/17 | |
| CHK'D: WLEUNG | | 2021/08/17 | |
| APPR: WLEUNG | | 2021/08/17 | |
| INITIAL REVISION: | | | |
| DRWN: VBASUTHKARP | | 2018/08/20 | |
| APPR: JFMURPHY | | 2020/11/17 | |
| DOCUMENT NUMBER | | DOC TYPE | DOC PART |
| 1122170038 | | PSD | 000 |
| MATERIAL NUMBER | | CUSTOMER | SHEET NUMBER |
| SEE TABLE | | GENERAL MARKET | 1 OF 1 |