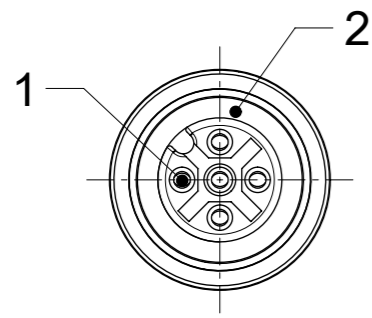


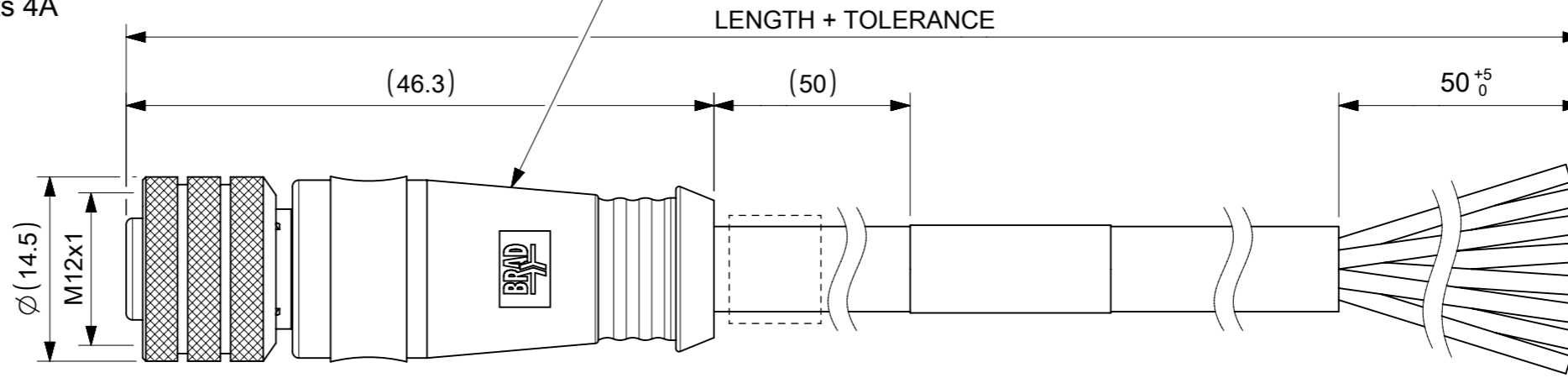
# FEMALE PLUG M12 STRAIGHT



**NOTES:**

RATED VOLTAGE: 3, 4 contacts 250V  
 5 contacts 60V  
 8 contacts 30V  
 RATED CURRENT: 3, 4, 5 contacts 4A  
 8 contacts 2A  
 PROTECTION CLASS: IP 67  
 TEMPERATURE: -25°C / +85°C

Thicker Overmold for Cables with bigger Outer Diameter



## CONTACTS POSITION FRONT VIEW:

| 3 CONTACTS |       | 4 CONTACTS |       | 5 CONTACTS |       | 8 CONTACTS |        |
|------------|-------|------------|-------|------------|-------|------------|--------|
|            |       |            |       |            |       |            |        |
| PIN        | WIRE  | PIN        | WIRE  | PIN        | WIRE  | PIN        | WIRE   |
| 1          | BROWN | 1          | BROWN | 1          | BROWN | 1          | WHITE  |
| 2          | ---   | 2          | WHITE | 2          | WHITE | 2          | BROWN  |
| 3          | BLUE  | 3          | BLUE  | 3          | BLUE  | 3          | GREEN  |
| 4          | BLACK | 4          | BLACK | 4          | BLACK | 4          | YELLOW |
| 5          | ---   | 5          | ---   | 5          | GREY  | 5          | GREY   |
|            |       |            |       |            |       | 6          | PINK   |
|            |       |            |       |            |       | 7          | BLUE   |
|            |       |            |       |            |       | 8          | RED    |

CODING REQUIRED TO IEC 61076-2-101

FOR OPTIONS SEE - NUMERICAL CODE - ON SHEET 2

| 8    | SEE MATRIX     | ID CARRIER          | PVC           | TRANSPARENT          |
|------|----------------|---------------------|---------------|----------------------|
| 7    | 1              | LABEL YELLOW        | VINYL         | ---                  |
| 6    | -              | CABLE               | SEE SHEET 2   | ---                  |
| 5    | -              | OVERMOLDING         | TPU           | SEE PART LIST        |
| 4    | 1              | COUPLING NUT FEMALE | SEE PART LIST | SEE PART LIST        |
| 3    | 1              | INSERT FEMALE BLACK | PUR           | ---                  |
| 2    | 1              | ORING RED           | FPM           | ---                  |
| 1    | 3 / 4 / 5<br>8 | CONTACT M12 FEMALE  | BRONZE        | SELECTIVE Au OVER Ni |
|      |                |                     | BRASS         | SELECTIVE Au OVER Ni |
| ITEM | QTY.           | DESCRIPTION         | MATERIAL      | FINISH               |

THIS DRAWING CONTAINS INFORMATION THAT IS PROPRIETARY TO MOLEX ELECTRONIC TECHNOLOGIES, LLC AND SHOULD NOT BE USED WITHOUT WRITTEN PERMISSION

|  |        |   |                          |                |
|--|--------|---|--------------------------|----------------|
| DIMENSION UNITS                                      | SCALE  | CURRENT REV DESC: NEW PN ADD TO DRAWING |                          |                |
| mm   | 2:1    | <b>molex</b>                            |                          |                |
| GENERAL TOLERANCES (UNLESS SPECIFIED)                |        |   |                          |                |
| ANGULAR TOL  | ± 1.0° | CSE M12 XP AC FE STR XM SE UNSH         |                          |                |
| 4 PLACES   | ±      | EC NO: 726420                           | PRODUCT CUSTOMER DRAWING |                |
| 3 PLACES   | ±      | DRWN: RSILLER                           | 2022/10/28               |                |
| 2 PLACES   | ± 0.05 | CHK'D: THAERDT                          | 2022/10/28               |                |
| 1 PLACE  | ± 0.3  | APPR: THAERDT                           | 2022/10/28               |                |
| 0 PLACES   | ± 0.5  | INITIAL REVISION:                       | DOCUMENT NUMBER          |                |
| DRAFT WHERE APPLICABLE MUST REMAIN WITHIN DIMENSIONS |        | DRWN: JMARSZALEK                        | 2016/01/11               | 1200651978     |
| THIRD ANGLE PROJECTION                               |        | APPR: RSILLER                           | 2016/04/08               | PSD 000 A11    |
| DRAWING  |        | SERIES                                  | MATERIAL NUMBER          | CUSTOMER       |
| A3-SIZE  |        | 120065                                  | SEE SHEET 3-4            | GENERAL MARKET |
| SHEET NUMBER   |        | 1 OF 4                                  |                          |                |

ENGINEERING NO. - NUMERICAL CODE (Available parts see PART LIST table. Others on request).

8 0 X 0 0 0 X X X X X X X X X

80=M12x1  
Single ended

Contacts:  
3=3 Contacts  
4=4 Contacts  
5=5 Contacts  
8=8 Contacts

Heads style:  
000=Plug Female Straight

Cable type: See Table

Units:  
M=Meter

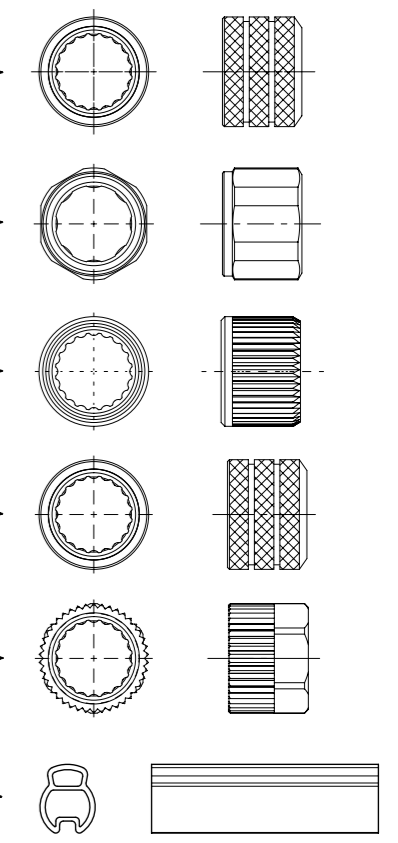
Length  
Examples:  
005=0.5 unit  
010=1 unit  
100=10 units

Overmold color:  
Blank (Standard)=Black  
A=Grey / G=Black / Y=Yellow

Coupling Nut:  
Blank (Standard) & 3=Knurled Brass Ni Plated  
1=Hexagonal Stainless steel  
5=Knurled Derlin  
7=Knurled Brass Ni Plated, Teflon Coated  
9=Knurled / Hexagonal Brass Ni Plated

H= 2 pcs. of I/D Carrier PVC Transparent

COUPLING NUTS

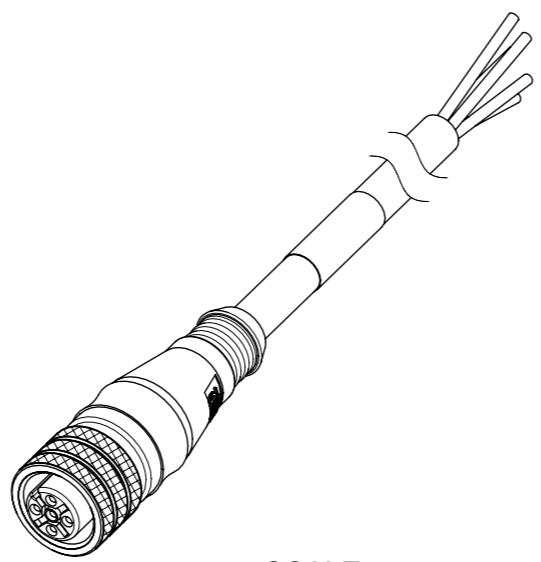


CABLE INFORMATION (for more information see Cable Data Sheet).

| CABLE TYPE | NO. OF WIRES  | CROSS SECTION       | CABLE JACKET    | UL             | CSA                      | STATIC: TEMP. / BENDING RADIUS | DYNAMIC: TEMP. / BENDING RADIUS | DRAG CHAIN  | SHIELD |
|------------|---------------|---------------------|-----------------|----------------|--------------------------|--------------------------------|---------------------------------|---|--------|
| E02        | 3 / 4 / 5 / 8 | 0.25mm <sup>2</sup> | PVC BLACK       | UL 2464/1729   | C22.2 I/II A/B 80°C/300V | -30°C to +80°C, 10xO.D.        | -10°C to +80°C, 15xO.D.         | -   | -      |
| E03        | 3 / 4 / 5     | 0.34mm <sup>2</sup> | PVC BLACK       | UL 2464/1729   | C22.2 I/II A/B 80°C/300V | -30°C to +80°C, 10xO.D.        | -10°C to +80°C, 15xO.D.         | -   | -      |
| H08        | 3 / 4 / 5 / 8 | 0.25mm <sup>2</sup> | PUR BLACK LS0H  | UL 21198/10493 | C22.2 I/II A/B 80°C/300V | -40°C to +80°C, 5xO.D.         | -25°C to +80°C, 10xO.D.         | 2 000 000 cycles at 20°C, Temp. range +5°C to +60°C | -      |
| H09        | 3 / 4 / 5     | 0.34mm <sup>2</sup> | PUR BLACK LS0H  | UL 21198/10493 | C22.2 I/II A/B 80°C/300V | -40°C to +80°C, 5xO.D.         | -25°C to +80°C, 10xO.D.         | 2 000 000 cycles at 20°C, Temp. range +5°C to +60°C | -      |
| P02        | 3 / 4 / 5 / 8 | 0.25mm <sup>2</sup> | PUR / PVC BLACK | -              | -                        | -30°C to +80°C, 7xO.D.         | -5°C to +80°C, 15xO.D.          | -   | -      |
| P03        | 3 / 4 / 5     | 0.34mm <sup>2</sup> | PUR / PVC BLACK | -              | -                        | -30°C to +80°C, 7xO.D.         | -5°C to +80°C, 15xO.D.          | -   | -      |

CABLE LENGTH TOLERANCES

| OVER    | UP TO AND INCLUDING | TOLERANCES             |
|---------|---------------------|------------------------|
| 0       | 305mm               | +19mm                  |
| 305mm   | 915mm               | +45mm                  |
| 915mm   | 1830mm              | +56mm                  |
| 1830mm  | 3660mm              | +89mm                  |
| 3660mm  | 7320mm              | +165mm                 |
| 7320mm  | 14640mm             | +317mm                 |
| 14640mm | 30500mm             | +610mm                 |
| 30500mm | >                   | +2% of finished length |



SCALE 1:1

THIS DRAWING CONTAINS INFORMATION THAT IS PROPRIETARY TO MOLEX ELECTRONIC TECHNOLOGIES, LLC AND SHOULD NOT BE USED WITHOUT WRITTEN PERMISSION

|  |         |   |              |                                 |                 |                |
|--|---------|---|--------------|---------------------------------|-----------------|----------------|
| DIMENSION UNITS                                      | SCALE   | CURRENT REV DESC: NEW PN ADD TO DRAWING |              | <b>molex</b>                    |                 |                |
| mm   | 1:1     |   |              |                                 |                 |                |
| GENERAL TOLERANCES (UNLESS SPECIFIED)                |         | EC NO: 726420                           |              | CSE M12 XP AC FE STR XM SE UNSH |                 |                |
| ANGULAR TOL  | ± 1.0 ° | DRWN: RSILLER 2022/10/28                |              | PRODUCT CUSTOMER DRAWING        |                 |                |
| 4 PLACES   | ±       | CHK'D: THAERDT 2022/10/28               |              | DOCUMENT NUMBER                 |                 |                |
| 3 PLACES   | ±       | APPR: THAERDT 2022/10/28                |              | 1200651978                      |                 |                |
| 2 PLACES   | ± 0.05  | INITIAL REVISION:                       |              | DOC TYPE                        | DOC PART        | REVISION       |
| 1 PLACE  | ± 0.3   | DRWN: JMARSZALEK 2016/01/11             |              | PSD                             | 000             | A11            |
| 0 PLACES   | ± 0.5   | APPR: RSILLER 2016/04/08                |              | SHEET NUMBER                    |                 |                |
| DRAFT WHERE APPLICABLE MUST REMAIN WITHIN DIMENSIONS |         | THIRD ANGLE PROJECTION                  | DRAWING      | SERIES                          | MATERIAL NUMBER | CUSTOMER       |
|  |         |   | A3-SIZE      | 120065                          |                 | GENERAL MARKET |
| DOCUMENT STATUS                                      |         | P1                                      | RELEASE DATE | 2022/10/28                      | 12:26:20        | 2 OF 4         |

# PART LIST

| No. | Part No.   | Engineering No. | Cable Length |
|-----|------------|-----------------|--------------|
| 1   | 1200060001 | 803000E03M020   | 2m           |
| 2   | 1200060002 | 803000E03M050   | 5m           |
| 3   | 1200060003 | 803000E03M100   | 10m          |
| 4   | 1200060004 | 803000P03M020   | 2m           |
| 5   | 1200060005 | 803000P03M050   | 5m           |
| 6   | 1200060006 | 803000P03M100   | 10m          |
| 7   | 1200060014 | 804000E03M020   | 2m           |
| 8   | 1200060015 | 804000E03M050   | 5m           |
| 9   | 1200060016 | 804000E03M100   | 10m          |
| 10  | 1200060018 | 804000P03M020   | 2m           |
| 11  | 1200060019 | 804000P03M050   | 5m           |
| 12  | 1200060027 | 803000E03M006   | 0.6m         |
| 13  | 1200060032 | 804000E03M005   | 0.5m         |
| 14  | 1200060034 | 804000P03M025   | 2.5m         |
| 15  | 1200060107 | 803000E03M003   | 0.3m         |
| 16  | 1200060113 | 803000E03M030   | 3m           |
| 17  | 1200060116 | 803000E03M0505  | 5m           |
| 18  | 1200060117 | 803000E03M1005  | 10m          |
| 19  | 1200060119 | 803000E03M150   | 15m          |
| 20  | 1200060121 | 803000E03M200   | 20m          |
| 21  | 1200060124 | 803000E03M2505  | 25m          |
| 22  | 1200060152 | 803000P03M010   | 1m           |
| 23  | 1200060153 | 803000P03M030   | 3m           |
| 24  | 1200060157 | 803000P03M150   | 15m          |
| 25  | 1200060158 | 803000P03M200   | 20m          |
| 26  | 1200060426 | 804000E03M010   | 1m           |
| 27  | 1200060427 | 804000E03M0201  | ** 2m        |
| 28  | 1200060428 | 804000E03M030   | 3m           |
| 29  | 1200060429 | 804000E03M0501  | * 5m         |
| 30  | 1200060430 | 804000E03M0505  | 5m           |
| 31  | 1200060431 | 804000E03M150   | 15m          |
| 32  | 1200060432 | 804000E03M200   | 20m          |
| 33  | 1200060456 | 804000P03M0201  | 2m           |
| 34  | 1200060457 | 804000P03M030   | 3m           |


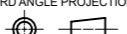
| No. | Part No.   | Engineering No. | Cable Length |
|-----|------------|-----------------|--------------|
| 36  | 1200060458 | 804000P03M0501  | 5m           |
| 37  | 1200060461 | 804000P03M200   | 20m          |
| 38  | 1200060634 | 805000E03M020   | 2m           |
| 39  | 1200060638 | 805000E03M100   | 10m          |
| 40  | 1200060646 | 805000P03M003   | 0.3m         |
| 41  | 1200060647 | 805000P03M020   | 2m           |
| 42  | 1200060649 | 805000P03M100   | 10m          |
| 43  | 1200061337 | 804000E03M0205  | 2m           |
| 44  | 1200061431 | 805000P03M150   | 15m          |
| 45  | 1200061528 | 804000E03M250   | 25m          |
| 46  | 1200061765 | 803000P03M002   | 0.2m         |
| 47  | 1200061785 | 804000P03M006   | 0.6m         |
| 48  | 1200061913 | 804000E03M300   | 30m          |
| 49  | 1200061958 | 803000E03M021   | 2.1m         |
| 50  | 1200062071 | 803000E03M060   | 6m           |
| 51  | 1200062098 | 803000P03M006   | 0.6m         |
| 52  | 1200062130 | 804000E03M050H  | 5m           |
| 53  | 1200062167 | 804000P03M100H  | 10m          |
| 54  | 1200062264 | 804000E03M1505  | 15m          |
| 55  | 1200062347 | 804000P03M050H  | 5m           |
| 56  | 1200062521 | 805000P03M030   | 3m           |
| 57  | 1200062772 | 803000P03M250   | 25m          |
| 58  | 1200062811 | 803000P03M100H  | 10m          |
| 59  | 1200062853 | 804000P03M150   | 15m          |
| 60  | 1200062866 | 804000E03M020H  | 2m           |
| 61  | 1200062992 | 804000E03M200H  | 20m          |
| 62  | 1200063121 | 804000P03M0053  | 0.5m         |
| 63  | 1200063224 | 804000E03M003   | 0.3m         |
| 64  | 1200063314 | 805000E03M010   | 1m           |
| 65  | 1200063402 | 804000P03M003   | 0.3m         |
| 66  | 1200063407 | 804000E03M1001  | * 10m        |
| 67  | 1200063415 | 803000P03M0707  | 7m           |
| 68  | 1200063443 | 804000E03M030H  | 3m           |
| 69  | 1200063647 | 804000E03M2001  | 20m          |

| No. | Part No.    | Engineering No. | Cable Length |
|-----|-------------|-----------------|--------------|
| 71  | 1200063673  | 803000P03M1001  | 10m          |
| 72  | 1200063779  | 805000E03M300   | 30m          |
| 73  | 1200063940  | 804000P03M0051  | 0.5m         |
| 74  | 1200064033  | 804000P03M120   | 12m          |
| 75  | 1200064093  | 803000P03M032   | 3.2m         |
| 76  | 1200064292  | 805000P03M200   | 20m          |
| 77  | 1200064422  | 804000E03M120   | 12m          |
| 78  | 1200064434  | 804000H09M050G  | 5m           |
| 79  | 1200065004  | 805000P03M0201  | 2m           |
| 80  | 1200065006  | 804000H09M250G  | 25m          |
| 81  | 1200065012  | 803000P03M030G  | 3m           |
| 82  | 12000650951 | 808000P02M020   | 2m           |
| 83  | 12000650952 | 808000P02M040   | 4m           |
| 84  | 12000650953 | 808000P02M050   | 5m           |
| 85  | 12000650954 | 808000P02M060   | 6m           |
| 86  | 12000650955 | 808000P02M080   | 8m           |
| 87  | 12000650956 | 808000P02M0801  | 8m           |
| 88  | 12000650957 | 808000P02M100   | 10m          |
| 89  | 12000651769 | 803000P03M050G  | 5m           |
| 90  | 12000651780 | 804000P03M050G  | 5m           |
| 91  | 12000651782 | 804000P03M100   | 10m          |
| 92  | 12000651792 | 805000P03M050   | 5m           |
| 93  | 12000651794 | 808000P02M010   | 1m           |
| 94  | 12000651795 | 808000P02M070   | 7m           |
| 95  | 12000651817 | 808000P02M200   | 20m          |
| 96  | 12000651818 | 808000P02M250   | 25m          |
| 97  | 12000651820 | 808000P02M300   | 30m          |
| 98  | 12000651978 | 805000E03M050   | 5m           |
| 99  | 12000652143 | 804000P03M040   | 4m           |
| 100 | 12000652144 | 804000P03M060   | 6m           |
| 101 | 12000652154 | 805000P03M060   | 6m           |
| 102 | 12000655073 | 808000P02M003   | 0.3m         |
| 103 | 12000655081 | 805000E03M150   | 15m          |

| No. | Part No.   | Engineering No. | Cable Length |
|-----|------------|-----------------|--------------|
| 106 | 1200658008 | 804000H09M050H  | 5m           |
| 107 | 1200658009 | 804000H09M100H  | 10m          |
| 108 | 1200658020 | 805000P03M040   | 4m           |
| 109 | 1200658021 | 808000P02M150   | 15m          |
| 110 | 1200658022 | 808000P02M030   | 3m           |
| 111 | 1200658064 | 804000P03M010   | 1m           |
| 112 | 1200658081 | 805000E03M200   | 20m          |
| 113 | 1200658165 | 805000E03M030   | 3m           |
| 114 | 1200658172 | 805000H09M020   | 2m           |
| 115 | 1200658173 | 805000H09M050   | 5m           |
| 116 | 1200658174 | 805000H09M100   | 10m          |
| 117 | 1200658175 | 803000H09M020   | 2m           |
| 118 | 1200658176 | 803000H09M050   | 5m           |
| 119 | 1200658177 | 803000H09M100   | 10m          |
| 120 | 1200658178 | 804000H09M020   | 2m           |
| 121 | 1200658179 | 804000H09M050   | 5m           |
| 122 | 1200658190 | 804000H09M100   | 10m          |
| 123 | 1200658197 | 805000P03M010   | 1m           |
| 124 | 1200658208 | 805000E03M0061  | * 0.6m       |
| 125 | 1200658210 | 805000E03M0501  | * 5m         |
| 126 | 1200658219 | 803000E03M0201  | * 2m         |
| 127 | 1200658224 | 808000E02M050   | 5m           |
| 128 | 1200658228 | 804000E03M3001  | * 30m        |
| 129 | 1200658244 | 808000H08M050   | 5m           |
| 130 | 1200658264 | 808000H08M100   | 10m          |
| 131 | 1200658277 | 808000E02M020   | 2m           |
| 132 | 1200658278 | 808000E02M100   | 10m          |
| 133 | 1200658288 | 804000E03M050G  | 5m           |
| 134 | 1200658309 | 808000E02M0501  | 5m           |
| 135 | 1200658321 | 804000P03M005   | 0.5m         |
| 136 | 1200658331 | 805000E03M050H  | 5m           |
| 137 | 1200658350 | 803000E03M1001  | * 10m        |

## NOTES:

- \* - Part No. with Yellow PVC overmolding
- \*\* - Part No. with Black PVC overmolding

|   |         |  |            |                 |        |                 |                |              |          |
|---|---------|--|------------|-----------------|--------|-----------------|----------------|--------------|----------|
| THIS DRAWING CONTAINS INFORMATION THAT IS PROPRIETARY TO MOLEX ELECTRONIC TECHNOLOGIES, LLC AND SHOULD NOT BE USED WITHOUT WRITTEN PERMISSION |         |  |            |                 |        |                 |                |              |          |
| DIMENSION UNITS   | SCALE   | CURRENT REV DESC: NEW PN ADD TO DRAWING  |            |                 |        |                 |                |              |          |
| mm  | 1:1     | <br>CSE M12 XP AC FE STR XM SE UNSH |            |                 |        |                 |                |              |          |
| GENERAL TOLERANCES (UNLESS SPECIFIED)   |         |  |            |                 |        |                 |                |              |          |
| ANGULAR TOL   | ± 1.0 ° | PRODUCT CUSTOMER DRAWING   |            |                 |        |                 |                |              |          |
| 4 PLACES  | ±       | EC NO: 726420  | 2022/10/28 |                 |        |                 |                |              |          |
| 3 PLACES  | ±       | DRWN: RSILLER  | 2022/10/28 |                 |        |                 |                |              |          |
| 2 PLACES  | ± 0.05  | CHK'D: THAERDT   | 2022/10/28 |                 |        |                 |                |              |          |
| 1 PLACE   | ± 0.3   | APPR: THAERDT  | 2022/10/28 |                 |        |                 |                |              |          |
| 0 PLACES  | ± 0.5   | INITIAL REVISION:  |            | DOCUMENT NUMBER |        |                 |                |              |          |
| DRAFT WHERE APPLICABLE MUST REMAIN WITHIN DIMENSIONS  |         | THIRD ANGLE PROJECTION   |            | DRAWING         | SERIES | MATERIAL NUMBER | CUSTOMER       | DOC TYPE     | DOC PART |
|   |         |                                     |            | A3-SIZE         | 120065 | 1200651978      | GENERAL MARKET | PSD          | 000      |
|   |         |  |            |                 |        |                 |                | REVISION     |          |
|   |         |  |            |                 |        |                 |                | A11          |          |
|   |         |  |            |                 |        |                 |                | SHEET NUMBER |          |
|   |         |  |            |                 |        |                 |                | 3 OF 4       |          |

|                 |    |              |            |          |
|-----------------|----|--------------|------------|----------|
| DOCUMENT STATUS | P1 | RELEASE DATE | 2022/10/28 | 12:26:20 |
|-----------------|----|--------------|------------|----------|

# PART LIST

| No. | Part No.   | Engineering No. | Cable Length |
|-----|------------|-----------------|--------------|
| 142 | 1200658492 | 804000P03M100G  | 10m          |
| 143 | 1200658502 | 805000E03M005   | 0.5m         |
| 144 | 1200658503 | 805000E03M0201  | 2m           |
| 145 | 1200658511 | 808000E02M010   | 1m           |
| 146 | 1200658525 | 808000P02C350   | 0.35m        |
| 147 | 1200658545 | 804000P03M015   | 1.5m         |
| 148 | 1200658550 | 804000H09M015   | 1.5m         |
| 149 | 1200658551 | 808000E02M1001  | 10m          |
| 150 | 1200658562 | 803000E03M010   | 1m           |
| 151 | 1200658563 | 803000E03M040   | 4m           |
| 152 | 1200658570 | 804000E03M040   | 4m           |
| 153 | 1200658590 | 808000E02M030   | 3m           |
| 154 | 1200658591 | 808000E02M040   | 4m           |
| 155 | 1200658592 | 805000E03M040   | 4m           |
| 156 | 1200658609 | 804000P02M020   | 2m           |
| 157 | 1200658610 | 803000P03M040   | 4m           |
| 161 | 1200658632 | 805000H09M010   | 1m           |
| 162 | 1200658633 | 805000H09M015   | 1.5m         |
| 163 | 1200658634 | 805000H09M030   | 3m           |
| 164 | 1200658635 | 805000H09M040   | 4m           |
| 165 | 1200658636 | 803000H09M010   | 1m           |
| 166 | 1200658637 | 803000H09M015   | 1.5m         |
| 167 | 1200658638 | 803000H09M030   | 3m           |
| 168 | 1200658639 | 803000H09M040   | 4m           |
| 169 | 1200658640 | 804000H09M010   | 1m           |
| 170 | 1200658641 | 804000H09M040   | 4m           |
| 171 | 1200658642 | 808000H08M010   | 1m           |
| 172 | 1200658643 | 808000H08M015   | 1.5m         |
| 173 | 1200658644 | 808000H08M020   | 2m           |
| 174 | 1200658645 | 808000H08M030   | 3m           |
| 175 | 1200658646 | 808000H08M040   | 4m           |


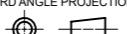
| No. | Part No.   | Engineering No. | Cable Length |
|-----|------------|-----------------|--------------|
| 176 | 1200658780 | 805000H09M200   | 20m          |
| 177 | 1200658782 | 804000E03M060   | 6m           |
| 178 | 1200658812 | 808000E02M150   | 15m          |
| 179 | 1200658813 | 808000H08M025   | 2.5m         |
| 181 | 1200658880 | 804000H09M200   | 20m          |
| 182 | 1200658882 | 804000E03M100H  | 10m          |
| 183 | 1200658887 | 803000E03M020H  | 2m           |
| 184 | 1200658889 | 803000E03M050H  | 5m           |
| 185 | 1200658891 | 804000H09M003   | 0.3m         |
| 186 | 1200658894 | 804000E03M020G  | 2m           |
| 187 | 1200658896 | 804000E03M075   | 7.5m         |
| 188 | 1200658899 | 808000H08M250   | 25m          |
| 192 | 1200658927 | 804000P02M050   | 5m           |
| 194 | 1200658930 | 808000H08M150   | 15m          |
| 196 | 1200658983 | 804000E03M002   | 0.2m         |
| 197 | 1200658984 | 808000E02M2501  | 25m          |
| 199 | 1200658991 | 805000P03M100H  | 10m          |
| 200 | 1200659038 | 804000E02M100   | 10m          |
| 201 | 1200659040 | 804000E02M050   | 5m           |
| 202 | 1200659052 | 808000E02M2001  | 20m          |
| 203 | 1200659053 | 808000E02M3001  | 30m          |
| 209 | 1200659088 | 804000P03M050HY | 5m           |
| 210 | 1200659092 | 808000P02M050Y  | 5m           |

| No. | Part No.   | Engineering No. | Cable Length |
|-----|------------|-----------------|--------------|
| 217 | 1200659123 | 804000P03M100HY | 10m          |
| 218 | 1200659144 | 805000H09M300   | 30m          |
| 219 | 1200659187 | 808000E02M4001  | 40m          |
| 221 | 1200659200 | 808000E02M250H  | 25m          |
| 222 | 1200659207 | 805000E03C230   | 0.23m        |
| 223 | 1200659214 | 805000P03M300   | 30m          |
| 224 | 1200659256 | 808000E02M200   | 20m          |
| 225 | 1200659279 | 805000E03M007   | 0.7m         |
| 226 | 1200659280 | 805000E03M350   | 35m          |
| 227 | 1200659282 | 805000P03M005   | 0.5m         |
| 228 | 1200659283 | 805000P03M007   | 0.7m         |
| 229 | 1200659302 | 804000P03M1005  | 10m          |
| 230 | 1200659326 | 805000P03M020H  | 2m           |
| 231 | 1200659329 | 805000P03M150H  | 15m          |
| 232 | 1200659330 | 805000P03M200H  | 20m          |
| 233 | 1200659334 | 808000P02M200H  | 20m          |
| 234 | 1200659340 | 804000P03M1501  | 15m          |
| 235 | 1200659341 | 804000P03M2501  | 25m          |
| 236 | 1200659368 | 805000E03M015   | 1.5m         |
| 237 | 1200659370 | 804000P03M020Y  | 2m           |
| 238 | 1200659387 | 808000E02M500   | 50m          |
| 239 | 1200659388 | 804000P03M012   | 1.2m         |
| 241 | 1200659397 | 808000P02M100Y  | 10m          |
| 242 | 1200659399 | 808000P02M015   | 1.5m         |
| 243 | 1200659474 | 804000P03M250   | 25m          |
| 244 | 1200659475 | 804000P03M300   | 30m          |
| 245 | 1200659509 | 805000E03M600   | 60m          |

| No. | Part No.   | Engineering No. | Cable Length |
|-----|------------|-----------------|--------------|
| 246 | 1200659552 | 808000P02M050H  | 5m           |
| 247 | 1200659553 | 808000P02M100H  | 10m          |
| 248 | 1200659554 | 808000P02M150H  | 15m          |
| 249 | 1200659584 | 803000H09M003   | 0.3m         |
| 250 | 1200659594 | 805000P03M300H  | 30m          |
| 251 | 1200659595 | 805000P03M350H  | 35m          |
| 252 | 1200659613 | 808000E02M300   | 30m          |
| 253 | 1200659786 | 804000E02M041   | 4.1m         |
| 254 | 1200659790 | 804000E02M020   | 2m           |
| 255 | 1200659538 | 808000E02M100   | 10m          |
| 256 | 1200656061 | 803000E02M010   | 1m           |
| 257 | 1200656303 | 805000E03M050Y  | 5m           |
| 258 | 1200656436 | 804000P03M0601  | 6m           |
| 259 | 1200656766 | 808000P02M350   | 35m          |
| 260 | 1200656767 | 808000P02M400   | 40m          |
| 261 | 1200657197 | 803000E03M005   | 0.5m         |
| 262 | 1200657198 | 803000E03M015   | 1.5m         |
| 263 | 1200657129 | 804000P03M400   | 40m          |
| 264 | 1200657130 | 804000P03M500   | 50m          |
| 265 | 1200657131 | 804000E03M006   | 0.6m         |
| 266 | 1200657132 | 804000E03M008   | 0.8m         |
| 267 | 1200657133 | 804000E03M015   | 1.5m         |
| 268 | 1200657134 | 804000E03M024   | 2.4m         |
| 269 | 1200657135 | 804000E03M070   | 7m           |
| 270 | 1200657136 | 804000E03M080   | 8m           |
| 271 | 1200657137 | 804000E03M090   | 9m           |
| 272 | 1200657138 | 804000E03M180   | 18m          |
| 273 | 1200657139 | 804000E03M350   | 35m          |
| 274 | 1200657140 | 804000E03M400   | 40m          |
| 275 | 1200657141 | 804000E03M450   | 45m          |
| 276 | 1200657142 | 804000E03M500   | 50m          |
| 277 | 1200657143 | 804000E03M550   | 55m          |
| 278 | 1200657180 | 805000E03M070   | 7m           |
| 279 | 1200657264 | 805000H09M500   | 50m          |
| 280 | 1200657306 | 805000H09M100H  | 10m          |

## NOTES:

- \* - Part No. with Yellow PVC overmolding
- \*\* - Part No. with Black PVC overmolding

|   |         |  |         |          |                 |                |              |  |  |
|---|---------|--|---------|----------|-----------------|----------------|--------------|--|--|
| THIS DRAWING CONTAINS INFORMATION THAT IS PROPRIETARY TO MOLEX ELECTRONIC TECHNOLOGIES, LLC AND SHOULD NOT BE USED WITHOUT WRITTEN PERMISSION |         |  |         |          |                 |                |              |  |  |
| DIMENSION UNITS   | SCALE   | CURRENT REV DESC: NEW PN ADD TO DRAWING  |         |          |                 |                |              |  |  |
| mm  | 1:1     |               |         |          |                 |                |              |  |  |
| GENERAL TOLERANCES (UNLESS SPECIFIED)   |         |  |         |          |                 |                |              |  |  |
| ANGULAR TOL   | ± 1.0 ° | EC NO: 726420<br>DRWN: RSILLER 2022/10/28<br>CHK'D: THAERDT 2022/10/28<br>APPR: THAERDT 2022/10/28 |         |          |                 |                |              |  |  |
| 4 PLACES  | ±       |  |         |          |                 |                |              |  |  |
| 3 PLACES  | ±       | INITIAL REVISION:<br>DRWN: JMARSZALEK 2016/01/11<br>APPR: RSILLER 2016/04/08                       |         |          |                 |                |              |  |  |
| 2 PLACES  | ± 0.05  |  |         |          |                 |                |              |  |  |
| 1 PLACE   | ± 0.3   | DOCUMENT NUMBER  |         | DOC TYPE | DOC PART        | REVISION       |              |  |  |
| 0 PLACES  | ± 0.5   | 1200651978   |         | PSD      | 000             | A11            |              |  |  |
| DRAFT WHERE APPLICABLE MUST REMAIN WITHIN DIMENSIONS  |         | THIRD ANGLE PROJECTION   | DRAWING | SERIES   | MATERIAL NUMBER | CUSTOMER       | SHEET NUMBER |  |  |
|   |         |               | A3-SIZE | 120065   |                 | GENERAL MARKET | 4 OF 4       |  |  |

|                 |    |              |            |          |
|-----------------|----|--------------|------------|----------|
| DOCUMENT STATUS | P1 | RELEASE DATE | 2022/10/28 | 12:26:20 |
|-----------------|----|--------------|------------|----------|