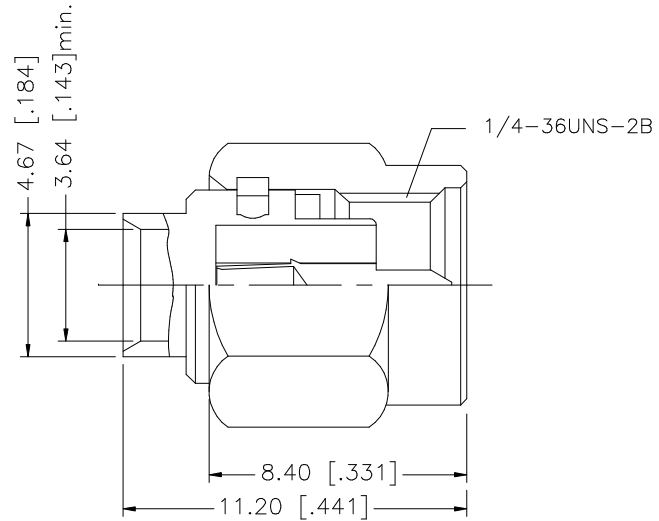
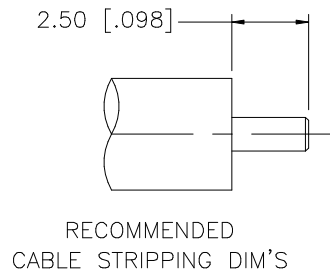


REV.	DATE	DESCRIPTION
A	04/31/03	UPDATE DRAWING FORMAT
B	03/21/04	ADD MAIN BODY X-SECTION VIEW



8					<small>UNLESS OTHERWISE SPECIFIED DIMENSIONS ARE IN MILLIMETERS. DIMENSIONS IN [ ] ARE IN INCHES AND FOR CUSTOMER REFERENCE ONLY.</small>  <small>UNLESS OTHERWISE SPECIFIED TOLERANCES FOR MILLIMETERS ARE:  0.5 - 8mm ± 0.20mm  8 - 30mm ± 0.40mm  30 - 120mm ± 0.50mm</small>  <small>UNLESS OTHERWISE SPECIFIED TOLERANCES FOR INCHES ARE:  .020 - .315 = ± 0.007"  .315 - 1.180 = ± 0.015"  1.180 - 4.724 = ± 0.020"</small>	APPROVALS	DATE	<h1 style="color: blue;">Amphenol Connex</h1>							
7						DRAWN	G.R.S.					03/21/04			
6						CHECKED			<b>PART DESCRIPTION</b> SMA DIRECT SOLDER PLUG (FOR .141" SEMI-RIGID CABLE)						
5						ISSUED									
4						SHEET	1 OF 1		<b>PART NO.</b> 132290						
3	CONTACT PIN	BER. COPPER	GOLD	1	CAD FILE			DWG. NO.					132290.DWG	REV.	B
2	INSULATOR	TEFLON	NATURAL	1	DO NOT SCALE DRAWING										
1	BODY	BRASS	GOLD	1	C:/132/132290.DWG										