

Power connectors - CUC-PPC-C2ZNI-SS/24FKP5 - 1421785

Please be informed that the data shown in this PDF Document is generated from our Online Catalog. Please find the complete data in the user's documentation. Our General Terms of Use for Downloads are valid (<http://phoenixcontact.com/download>)




Power connectors, degree of protection: IP65/IP67, number of positions: 5, material: Zinc die-cast, connection cross section: AWG 18- 13, cable outlet: straight

Your advantages

- Fixed coding
- Increased temperature range
- Lockable
- One-part housing



Key Commercial Data

Packing unit	1 pc
GTIN	 4 055626 299792
GTIN	4055626299792

Technical data

Dimensions

External cable diameter	6.5 mm ... 9 mm
Type	fixed coding

Ambient conditions

Degree of protection	IP65/IP67
Ambient temperature (operation)	-40 °C ... 85 °C
Ambient temperature (assembly)	-10 °C ... 40 °C
Ambient temperature (storage/transport)	-40 °C ... 85 °C

General data

Note	This product corresponds to the PROFINET Cabling and Interconnection Technology Guideline for PROFINET regulations, version 2.00, order no: 2.252, Chapter 11 Connectors for 24 Volt Power Supply Cabling and Chapter 13 Application specific Cabling and Interconnection Technology (AIDA)
------	---

Power connectors - CUC-PPC-C2ZNI-SS/24FKP5 - 1421785

Technical data

General data

Rated current at 40°C	16 A
Rated voltage	24 V
Number of positions	5
Degree of pollution	3
Alternative short product description	MSTB connector
Locking type	Push Pull
Rated voltage (II/2)	630 V
Rated voltage (III/2)	400 V
Rated voltage	250 V
Rated surge voltage (II/2)	4 kV
Rated surge voltage (III/2)	4 kV
Rated surge voltage (III/3)	4 kV
Rated current	16 A
Rated voltage (III/3)	24 V
Conductor cross section	0.75 mm ² ... 2.5 mm ²
Connection cross section AWG	18 ... 13
COMBICON connection data	0.75 mm ² 2.5 mm ² 0.75 mm ² 2.5 mm ² 18 13 2.5 mm ²
Conductor cross section flexible, with ferrule without plastic sleeve min.	0.75 mm ²
Conductor cross section flexible, with ferrule without plastic sleeve max.	2.5 mm ²
Conductor cross section flexible, with ferrule with plastic sleeve min.	0.75 mm ²
Conductor cross section flexible, with ferrule with plastic sleeve max.	2.5 mm ²
Contact material	Copper alloy
Contact carrier material	PA
Contact surface material	Gold over nickel
Housing material	Zinc die-cast

Characteristics head 1

Stripping length of the individual wire	10 mm
Stripping length of the sheath	40 mm

Standards and Regulations

Flammability rating according to UL 94	V0
--	----

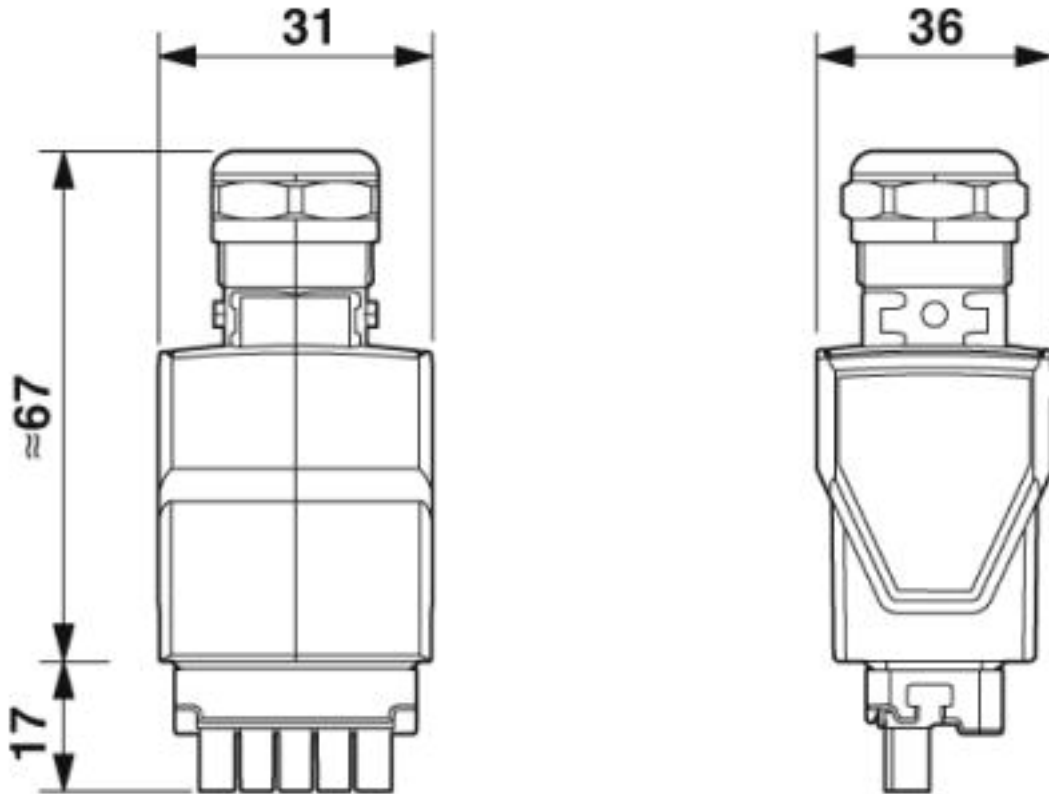
Environmental Product Compliance

	Lead 7439-92-1
China RoHS	Environmentally Friendly Use Period = 50
	For details about hazardous substances go to tab "Downloads", Category "Manufacturer's declaration"

Drawings

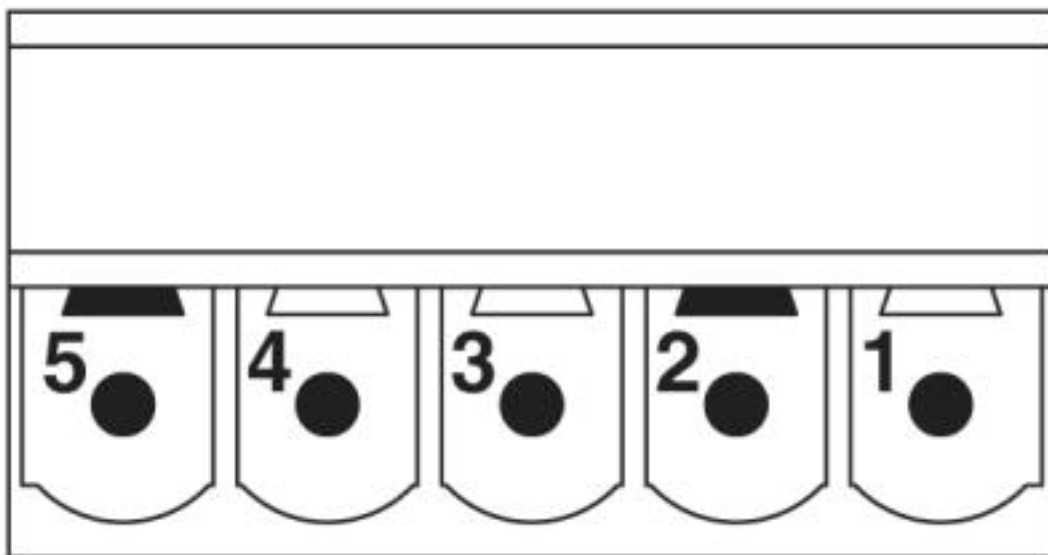
Power connectors - CUC-PPC-C2ZNI-SS/24FKP5 - 1421785

Dimensional drawing



Push/pull connector

Schematic diagram



Pin assignment PROFINET push-pull, power connector, 24 V, fixed coding

Power connectors - CUC-PPC-C2ZNI-SS/24FKP5 - 1421785

Approvals


Approvals


Approvals

EAC / cULus Recognized

Ex Approvals

Approval details

EAC		B.01742
-----	---	---------

cULus Recognized		http://database.ul.com/cgi-bin/XYV/template/LISEXT/1FRAME/index.htm E118976-20080903
Nominal voltage UN	24 V	
Nominal current IN	16 A	
mm ² /AWG/kcmil	14	

Phoenix Contact 2019 © - all rights reserved
<http://www.phoenixcontact.com>

PHOENIX CONTACT GmbH & Co. KG
Flachsmarktstr. 8
32825 Blomberg
Germany
Tel. +49 5235 300
Fax +49 5235 3 41200
<http://www.phoenixcontact.com>