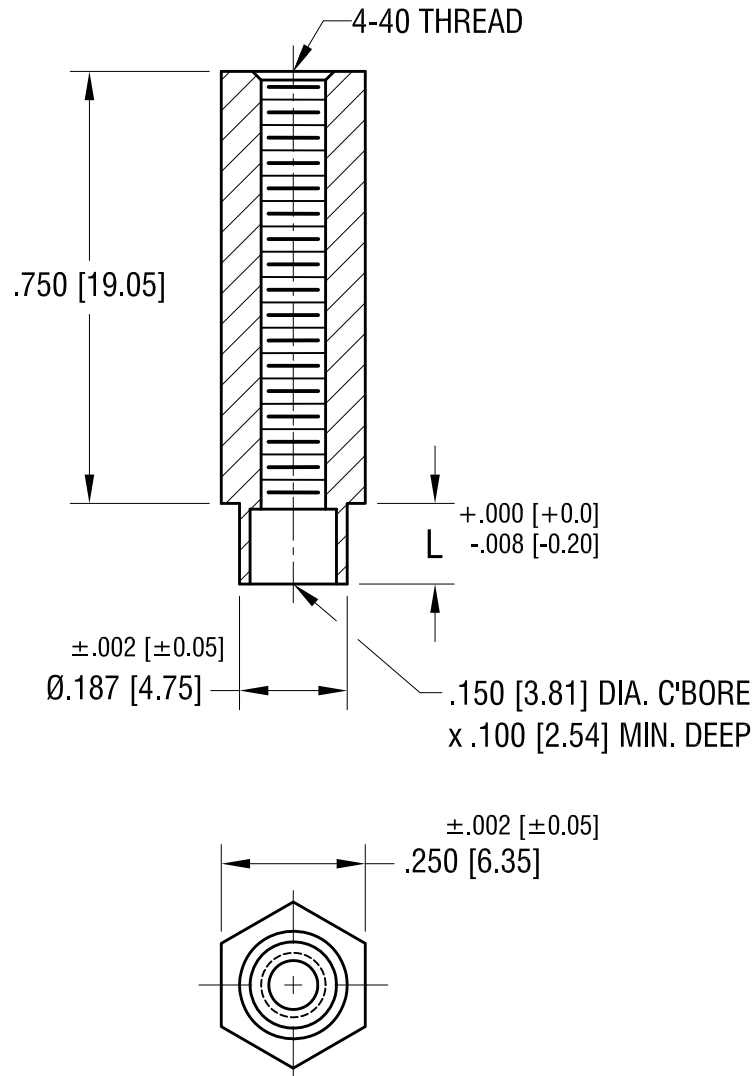


THIS DOCUMENT IS THE PROPERTY OF  
KEYSTONE ELECTRONICS CORP. AND  
SHALL NOT BE REPRODUCED, DISTRIBUTED  
OR USED AS A BASIS FOR MANUFACTURE  
WITHOUT PRIOR WRITTEN PERMISSION  
FROM KEYSTONE ELECTRONICS CORP.

ACTUAL SIZE



P/N 1655-2

| PART NO. | 'L' DIM.    |
|----------|-------------|
| 1655-2   | .109 [2.77] |
| 1655-3   | .140 [3.56] |

|         |                          |      |
|---------|--------------------------|------|
| 1122.21 | CHANGE AS PER ECN 21-159 | B    |
| 5.13.02 | CHANGE AS PER ECN 02-042 | A    |
| DATE    | DESCRIPTION              | REV. |

| <b>KEYSTONE ELECTRONICS CORP.</b>                            |                         |        |              |
|--|-------------------------|--------|--------------|
| www.keyelco.com • NEW HYDE PARK NY 11040 • Tel (516)328-7500 |                         |        |              |
| PART NAME<br><b>SWAGE THREADED STANDOFF</b>                  |                         |        |              |
| MATERIAL<br><b>BRASS</b>                                     |                         |        |              |
| FINISH   | DUCTILE<br>NICKEL PLATE | DRN BY | BOONE        |
|  |                         | APP'D  | LN           |
|  |                         | DATE   | 1.24.96      |
|  |                         | SCALE  | 3X           |
| TOLERANCES   | INCH [MM]               | CODE   | DWG NO.      |
| DECIMAL  | ± .005 [± 0.13]         | C      | <b>1655-</b> |
| ANGULAR  | ± 1°                    |        |              |
| UNLESS OTHERWISE SPECIFIED                                   |                         |        |              |