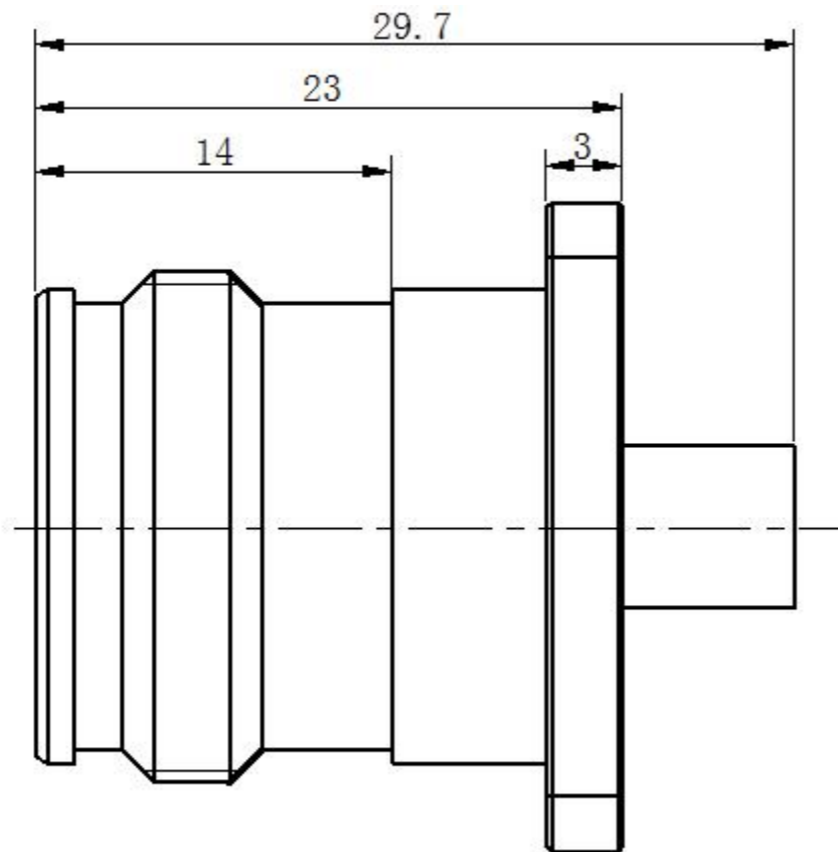
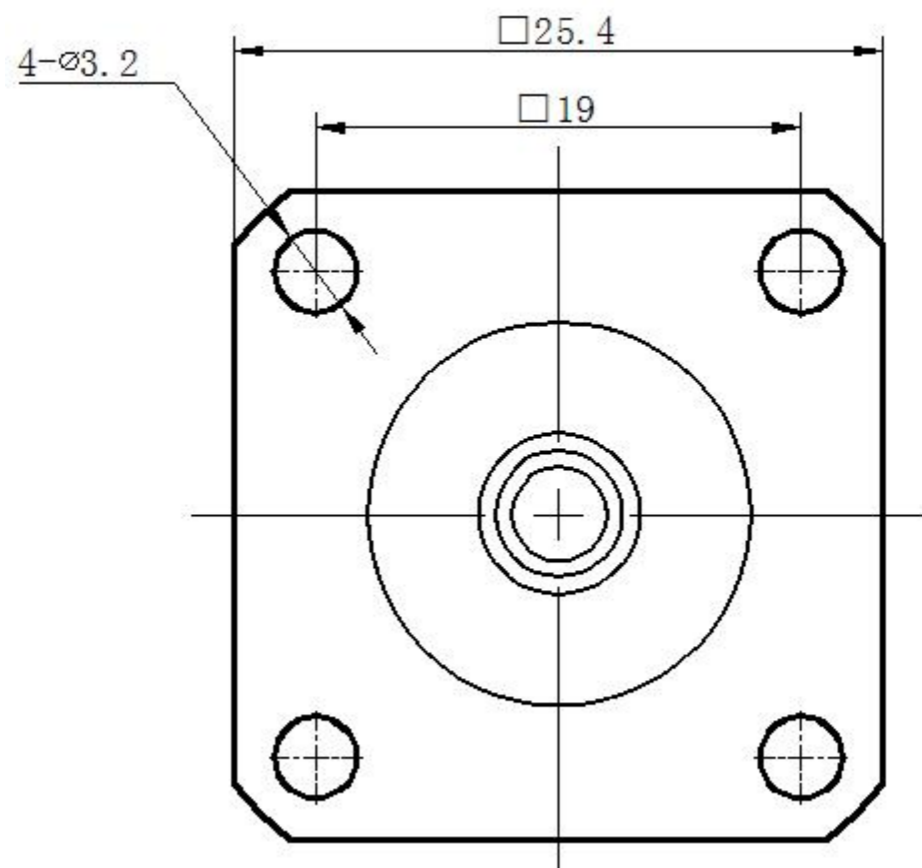


ELECTRICAL	
IMPEDANCE	50 Ohm
FREQUENCY RANGE	DC to 6GHz
INSERTION LOSS:	Max. 0.05*SQRT(F) dB
VSWR:	Max. 1.15@0-3GHz Max. 1.20@3-6GHz
DIELECTRIC WITHSTAND VOLTAGE:	Max. 1500 V RMS
INSULATION RESISTANCE	Min. 5000 Mohms
PIM3:	Max. -160dBc @2x20W, 900MHz, 1800MHz, 2100MHz tested with cable

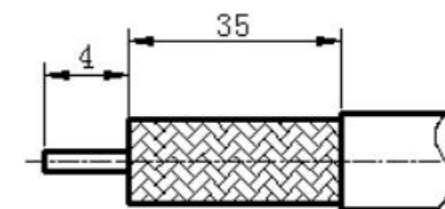
MECHANICAL	
MATING CYCLES:	MIN. 100 CYCLES
RECOMMENDED TORQUE:	5Nm
CABLE PULLING:	150N MIN.
CABLE TORSION:	0.06Nm MIN.

ENVIRONMENTAL	
TEMPERATURE RANGE:	-40°~+85°C
SALT SPRAY:	96H
INTERFACE SEAL:	IP68(1m, 24h) MATED
PANEL SEAL:	N/A

P	LTR	DESCRIPTION	DATE	DWN	APVD



RECOMMENDED CABLE DIMENSION



NOTE:

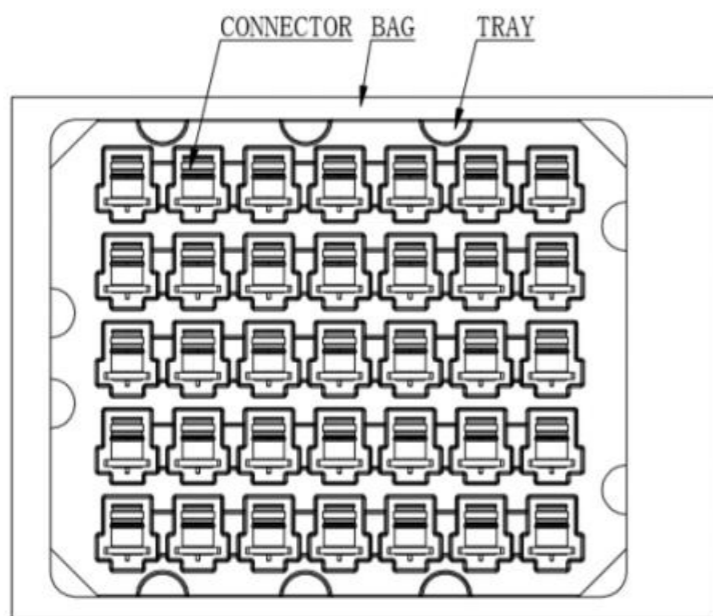
1. INTERFACE ACCORDING TO IEC 61169-54
2. CENTER CONTACT WITH AN INSULATOR, AND CLIP, ARE SPARE PARTS, AND WILL BE PACKAGED SEPARATELY IN BAG

P/N	PART NAME	MATERIAL	PLATING
2081974-1	CENTER CONTACT	BRONZE	SILVER
	OUTER CONTACT	BRONZE	SILVER
	BODY	BRASS	WHITE BRONZE
	INSULATOR	PTFE	
	CLIP	PTFE	

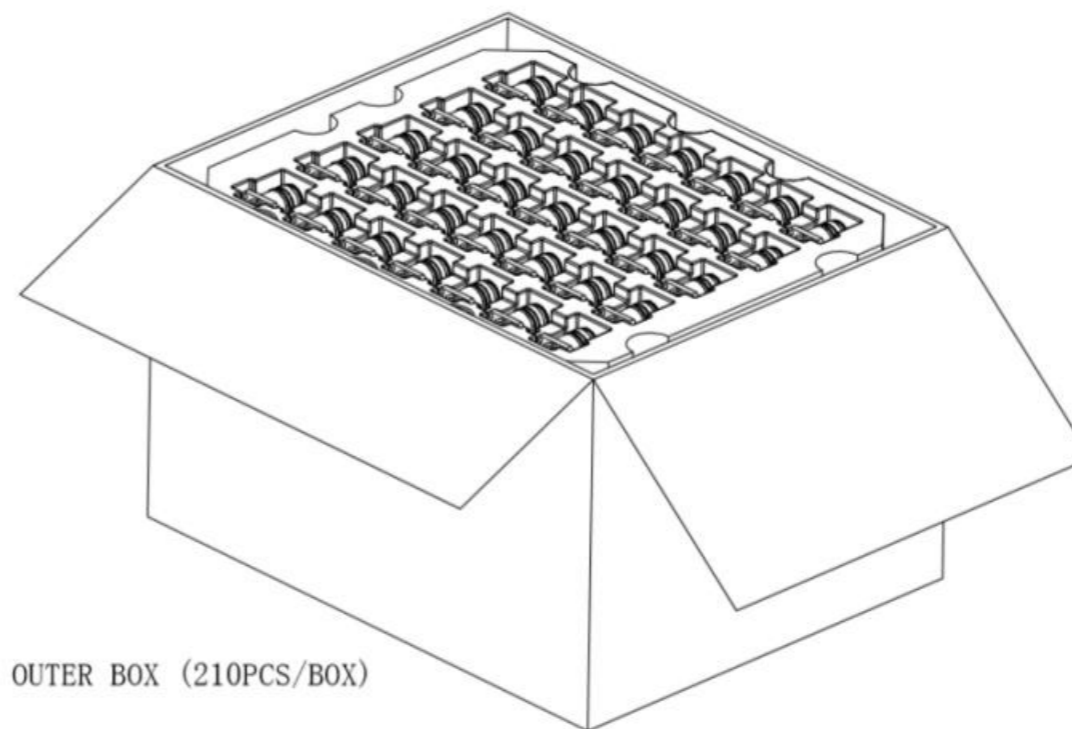
THIS DRAWING IS A CONTROLLED DOCUMENT.		DWN	JZ	10MAR2020	TE TE Connectivity		
DIMENSIONS: mm		CHK	RZ	10MAR2020			
TOLERANCES UNLESS OTHERWISE SPECIFIED:		APVD	RS	10MAR2020	NAME 4.3-10 STRAIGHT JACK FOR 380 CABLE SOLDER TYPE, 4 HOLES SQUARE FLANGE		
0 PLC ±0.2		PRODUCT SPEC		108-115175	SIZE		
1 PLC ±0.2		APPLICATION SPEC		408-160018	CAGE CODE	DRAWING NO	RESTRICTED TO
2 PLC ±0.2		WEIGHT		41g	A3	00779	©=2081974
3 PLC ±0.2		CUSTOMER DRAWING			SCALE	SHEET	REV
4 PLC ±0.2					1:1	1 OF 2	A
ANGLES ±0.2							
FINISH							
SEE TABLE							
-							

REVISIONS

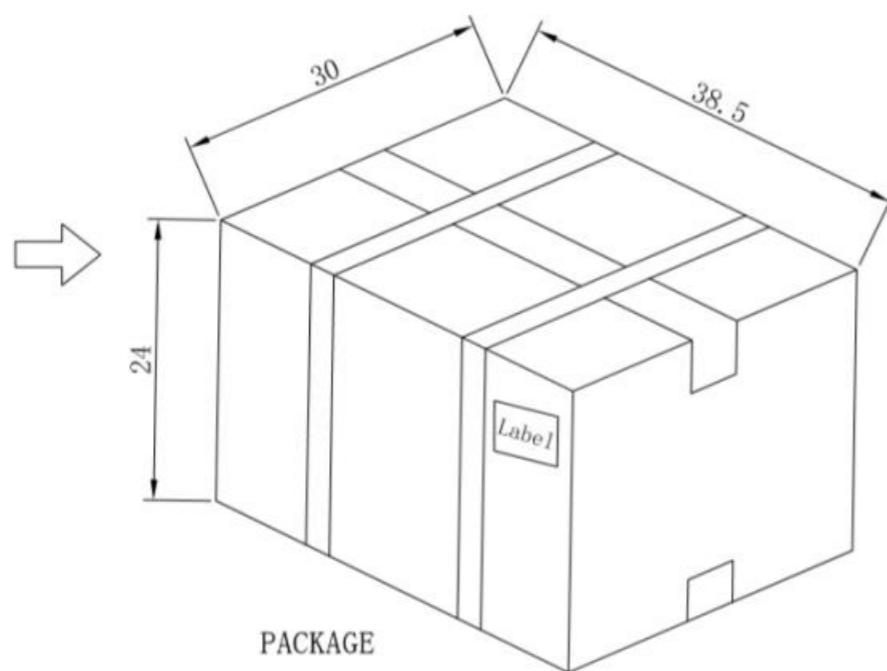
P	LTR	DESCRIPTION	DATE	DWN	APVD



TRAY PACKAGE


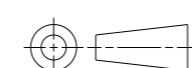


OUTER BOX (210PCS/BOX)



PACKAGE

(BOX SIZE ONLY FOR REFERENCE, UNIT: CM)

THIS DRAWING IS A CONTROLLED DOCUMENT.		DWN JZ	10MAR2020	 TE Connectivity	
DIMENSIONS: mm		CHK RZ	10MAR2020		
TOLERANCES UNLESS OTHERWISE SPECIFIED:		APVD RS	10MAR2020	NAME 4.3-10 STRAIGHT JACK FOR 380 CABLE SOLDER TYPE, 4 HOLES SQUARE FLANGE	
 0 PLC ±0.2 1 PLC ±0.2 2 PLC ±0.2 3 PLC ±0.2 4 PLC ±0.2 ANGLES ±		PRODUCT SPEC 108-115175		SIZE A3	
MATERIAL SEE TABLE		APPLICATION SPEC 408-160018		CAGE CODE 00779	DRAWING NO C-2081974
FINISH SEE TABLE		WEIGHT 41g		RESTRICTED TO -	
-		CUSTOMER DRAWING		SCALE 1:1	SHEET 2 OF 2
-		-		REV A	