

**K-1000 Series, Rated up to 1,000 Amps, 28 Vdc**

**Product Facts**

- SPST NO, Double break
- Gasket sealed
- Meets many requirements of MIL-PRF-6106

**Performance Data**

**Electrical Characteristics**

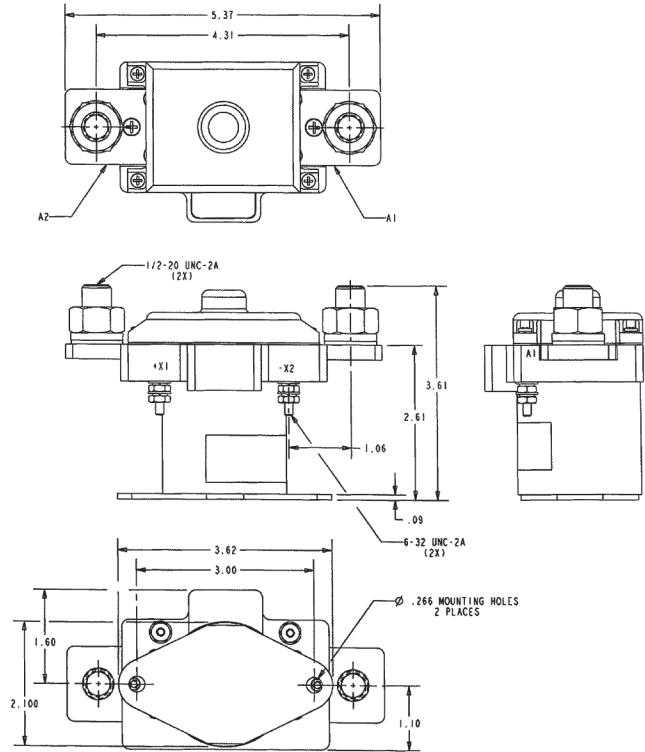
**Contact Arrangement** — SPST NO, Double Break  
**Rated Operating Voltage** — 28 Vdc  
**Resistive Rating** — 1,000 Amps

**General Characteristics**

**Temperature Range** — -55°C to +71°C  
**Operating Cycles (Life) at Rated Resistive Load** — 50,000 cycles  
**Operating Cycles (Life) Mechanical** — 100,000 cycles  
**Weight, Max.** — 2.75 lbs

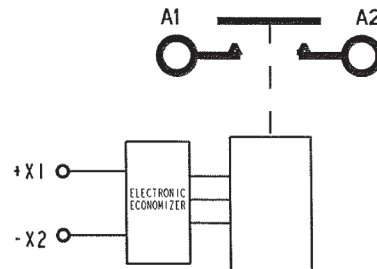
**Coil Characteristics**

**Duty Cycle** — Continuous, economizing  
**Operating Voltage, Nom.** — 28 Vdc  
**Pickup Voltage, Max. @25°C** — 18 Vdc  
**Dropout Voltage** — 1 to 8 Vdc  
**Current, Inrush, Max. @ 30 Vdc** — 7.0 Amps  
**Current, Hold, Max. @ 30 Vdc** — 1.0 Amps



Mounting Style A

**Circuit Configurations** (Consult factory for other available circuit configurations)



Circuit Configuration 1

HARTMAN Part Number	Construction Type	Mounting Style	Coil Type	Circuit Config.	TE Part Number
K-1000A1F03	Gasket Sealed	A	Continuous	1	4-1616966-1

For factory-direct application assistance, phone 419-521-9500 or fax 419-526-2749.