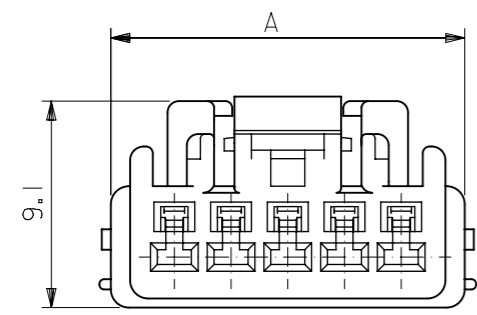
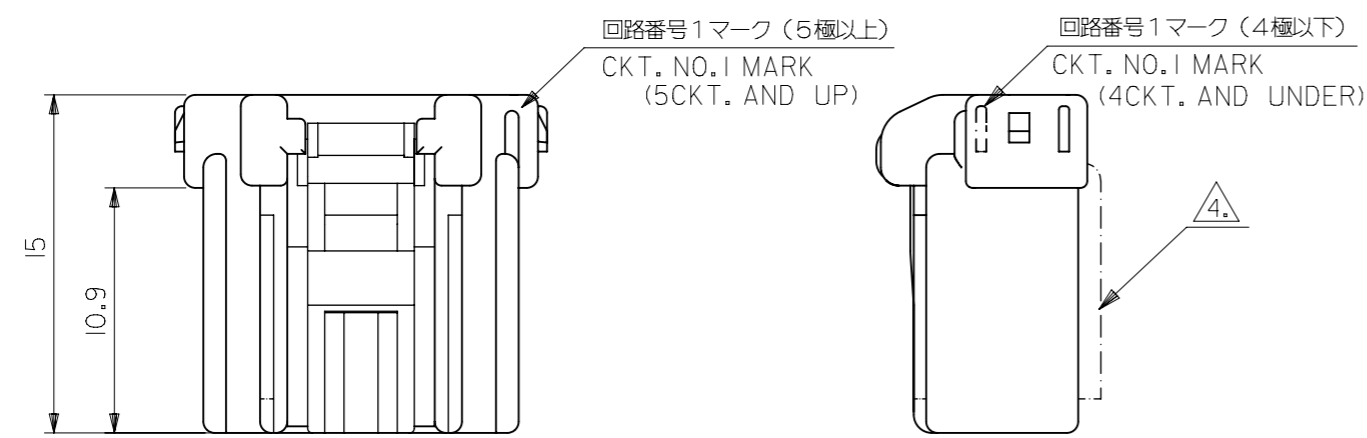
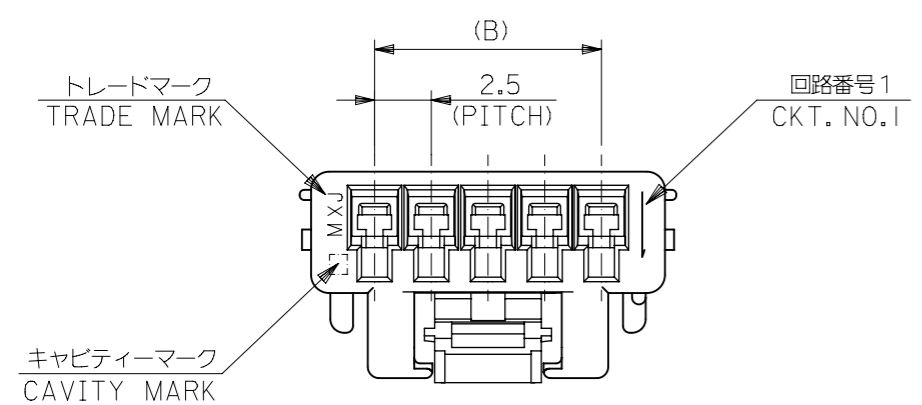


SHAPE OF
500592-050*



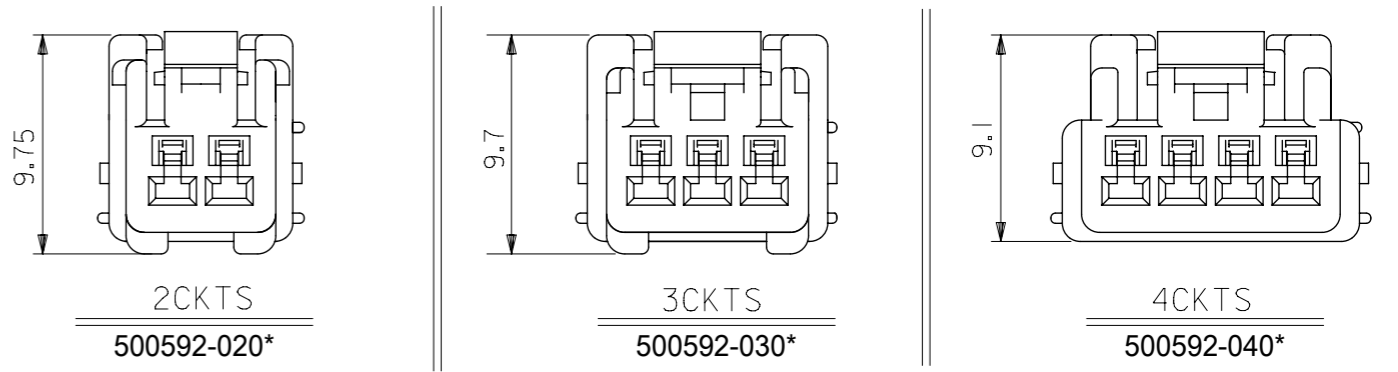
- 注記
NOTES
1. 適合ターミナル : 50397シリーズ
APPLICABLE TERMINAL : 50397 SERIES
 2. 適合リテーナー : 500817シリーズ
APPLICABLE RETAINER : 500817 SERIES
 3. 嵌合相手 : 500593シリーズ
MATE WITH : 500593 SERIES
 4. 2及び3極に適用。
APPLY 2&3 CIRCUITS.
 5. 材質 : PBT (UL94V-0)
MATERIAL : PBT(UL94V-0)

6. MATERIAL NO. は以下の内容を示す。
MATERIAL NO. :

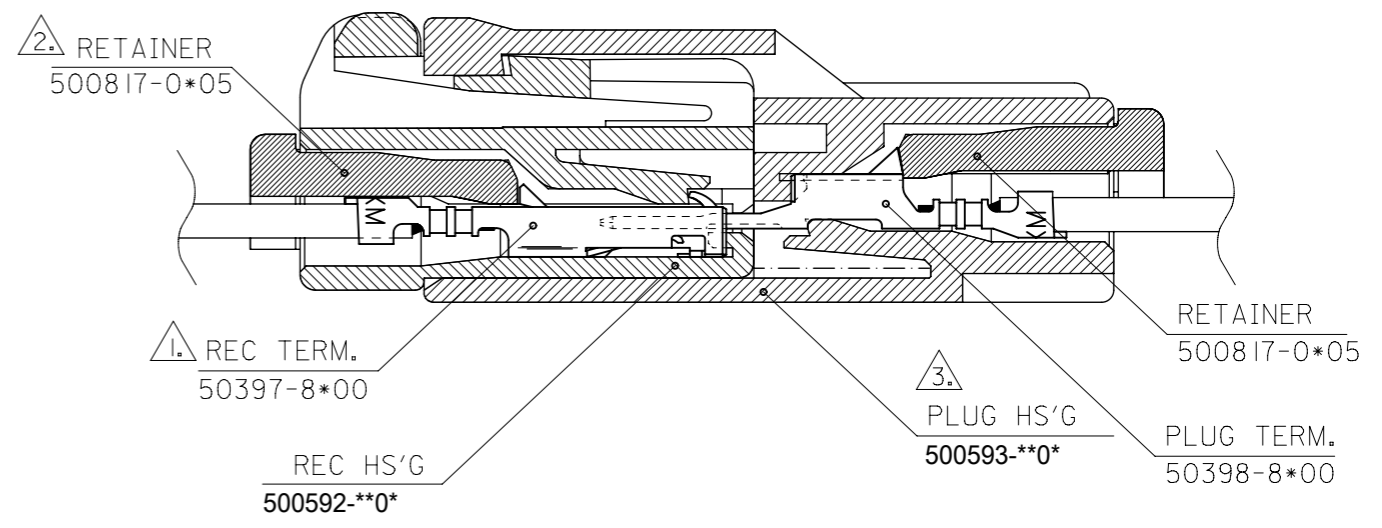
- 500592-**0*
- 極数 ← 色
CKT COLOR
- 0: 自然色 NATURAL
 - 1: 黒 BLACK
 - 2: 赤 RED
 - 3: 黄色 YELLOW
 - 4: 青 BLUE
 - 6: 緑 GREEN

PRE-RELEASE
REFERENCE
USE ONLY

4極以下での極数レイアウト図
LAYOUT OF 2/3/4CKTS.



ターミナル装着状態図
TERMINAL ASSEMBLY DRAWING



THIS DRAWING CONTAINS INFORMATION THAT IS PROPRIETARY TO MOLEX ELECTRONIC TECHNOLOGIES, LLC AND SHOULD NOT BE USED WITHOUT WRITTEN PERMISSION		500592-**0*		MODEL NO.	
DIMENSION UNITS	SCALE	CURRENT REV DESC: OBSOLETE PART NUMBERS AS PER PCN#512131.			
mm	NTS	<p>molex</p> <p>2.5MM WIRE TO WIRE CONN RECEPTACLE HOUSING</p> <p>PRODUCT CUSTOMER DRAWING</p>			
GENERAL TOLERANCES (UNLESS SPECIFIED)					
ANGULAR TOL	± 3.0°	EC NO: 727779		DOCUMENT NUMBER	
4 PLACES	± 0.2	DRWN: ANIKES1 2022/10/26		DOC TYPE	
3 PLACES	± 0.25	CHK'D: GGA 2022/11/29		DOC PART	
2 PLACES	± 0.3	APPR: GGA 2022/11/29		REVISION	
1 PLACE	±	INITIAL REVISION:		SD-500592-001	
0 PLACES	±	DRWN: TODA 2004/06/11		PSD	001
DRAFT WHERE APPLICABLE MUST REMAIN WITHIN DIMENSIONS		APPR: YOITO 2004/06/16		C	
THIRD ANGLE PROJECTION		DRAWING	SERIES	MATERIAL NUMBER	CUSTOMER
		A3-SIZE	500592	SEE TABLE	GENERAL MARKET
				SHEET NUMBER	
				1 OF 2	

10

9

8

7

6

5

4

3

2

1

F

F

E

E

D

D

C

C

B

B

A

A

500593-080*	500817-0805	17.5	23.1	8	---	---	---	---	500592-0800	
↑ -070*	↑ -0705	15	20.6	7	---	---	---	---	↑ -0700	
-060*	-0605	12.5	18.1	6	---	---	---	---	-0600	
-050*	-0505	10	15.6	5	---	---	---	---	-0500	500592-**0*
-040*	-0405	7.5	13.1	4	---	500592-0403	---	---	-0400	
↓ -030*	↓ -0305	5	10.6	3	500592-0304	---	---	---	↓ -0300	
500593-020*	500817-0205	2.5	8.1	2	500592-0204	500592-0203	500592-0202	500592-0201	500592-0200	
MATE WITH	CONFORTABLE-RETAINER	B	A	CKT.	BLUE	YELLOW	RED	BLACK	NATURAL	MODEL NO.

PRE-RELEASE
REFERENCE ONLY
USE ONLY

THIS DRAWING CONTAINS INFORMATION THAT IS PROPRIETARY TO MOLEX ELECTRONIC TECHNOLOGIES, LLC AND SHOULD NOT BE USED WITHOUT WRITTEN PERMISSION

DIMENSION UNITS	SCALE	CURRENT REV DESC: OBSOLETE PART NUMBERS AS PER PCN#512131.
mm	NTS	
GENERAL TOLERANCES (UNLESS SPECIFIED)		
ANGULAR TOL	± 3.0 °	
4 PLACES	± 0.2	EC NO: 727779
3 PLACES	± 0.25	DRWN: ANIKES1 2022/10/26
2 PLACES	± 0.3	CHK'D: GGA 2022/11/29
1 PLACE	±	APPR: GGA 2022/11/29
0 PLACES	±	INITIAL REVISION:
DRAFT WHERE APPLICABLE MUST REMAIN WITHIN DIMENSIONS		DRWN: TODA 2004/06/11
THIRD ANGLE PROJECTION		APPR: YOITO 2004/06/16
DRAWING	SERIES	DOCUMENT NUMBER
A3-SIZE	500592	SD-500592-001
MATERIAL NUMBER	CUSTOMER	DOC TYPE
SEE TABLE	GENERAL MARKET	PSD
SHEET NUMBER		DOC PART
2 OF 2		001
REVISION		C



2.5MM WIRE TO WIRE CONN
RECEPTACLE HOUSING

PRODUCT CUSTOMER DRAWING

DOCUMENT STATUS	P1	RELEASE DATE	2022/11/29 12:45:08
-----------------	----	--------------	---------------------

10 9 8 7 6 5 4 3 2 1