

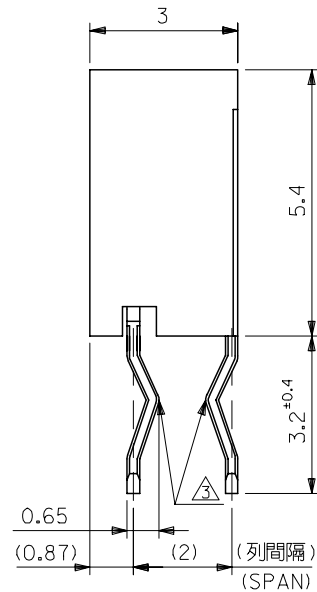
注記 NOTES

- △ 回路番号1を基準に奇数番目の極におけるソルダーテール。  
ODD NUMBER SOLDER TAIL FROM THE CKT.NO.1.
- △ 回路番号1を基準に偶数番目の極におけるソルダーテール。  
EVEN NUMBER SOLDER TAIL FROM THE CKT.NO.1.
- △ キングはソルダーテール全極にもうける。  
SOLDER TAIL KINK SHALL BE PROVIDED ON ALL TAILS.
- △ 偶数極に適用。  
APPLY FOR EVEN CKT.

5. 使用材料 MATERIAL

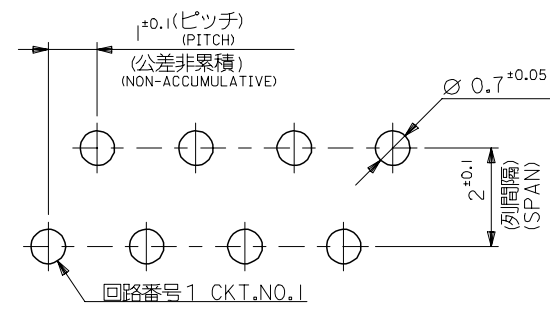
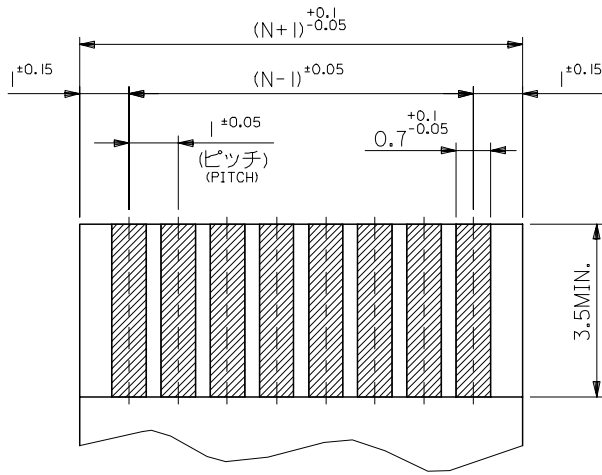
- ハウジング : PPS, UL94V-0
- ハウジング HOUSING
- ターミナル : リン青銅 (t=0.25)
- TERMINAL PHOSPHOR BRONZE (t=0.25)
- メッキ : 接点部: 金メッキ : 0.1 MICROMETER MIN.
- PLATING CONTACT PORTION : GOLD PLATING : 0.1 MICROMETER MIN.
- : 半田付部: 錫メッキ : 1.0 MICROMETER MIN.
- SOLDERING PORTION : TIN PLATING : 1.0 MICROMETER MIN.
- : 下地: ニッケルメッキ : 1.0 MICROMETER MIN.
- UNDER PLATING : NICKEL PLATING : 1.0 MICROMETER MIN.

6. 本製品は、52806シリーズの金メッキ品である。  
THIS PRODUCT IS Au PLATING OF 52806 SERIES.



15	13.05	11	52806-1270	12
8	6.05	4	52806-0570	5
C	B	A	MATERIAL NO.	極数 CIRCUIT
			MODEL NO.	52806-xx70

RELEASED EC NO: J2007-1100 DRWN: NABE1 2006/10/17 CHKD: KTOYODA 2006/10/19 APPR: NUKITA 2007/03/15	GENERAL TOLERANCES (UNLESS SPECIFIED)		DIMENSION STYLE MM ONLY		SCALE 10:1	DESIGN UNITS METRIC	THIRD ANGLE PROJECTION
	10 UNDER	±0.2	DRAWN BY M. NABE1	DATE '06/10/16	TITLE 1.0 FFC CONN. NON-ZIF DIP ST. -LEAD FREE-		
	10 OVER 30 UNDER	±0.25	CHECKED BY K. TOYODA	DATE '06/10/16			
	30 OVER	±0.3	APPROVED BY N. UKITA	DATE '06/10/16	MOLEX INCORPORATED DOCUMENT NO. SD-52806-003 SHEET NO. 1 OF 2		
	ANGULAR	±3 °	MATERIAL NO. SEE CHART				
DRAFT WHERE APPLICABLE MUST REMAIN WITHIN DIMENSIONS		SIZE A3		THIS DRAWING CONTAINS INFORMATION THAT IS PROPRIETARY TO MOLEX INCORPORATED AND SHOULD NOT BE USED WITHOUT WRITTEN PERMISSION			



(仕上がり厚さ  $0.3 \begin{matrix} +0.03 \end{matrix}$ )  
 THICKNESS  
適合FPC推奨寸法  
 APPLICABLE FPC  
 RECOMMENDED DIMENSION.

基板取付穴推奨寸法  
 RECOMMENDED P.C. BOARD  
 HOLE DIMENSION  
 (マウント面,  $t=1.6$ )  
 (MOUNTING SIDE,  $t=1.6$ )

RELEASED EC NO: J2007-1100 DRWN: NABE I 2006/10/17 CHKDK: TOYODA 2006/10/19 APPR: NUKITA 2007/03/15	GENERAL TOLERANCES (UNLESS SPECIFIED)		DIMENSION STYLE MM ONLY		SCALE 10:1	DESIGN UNITS METRIC	THIRD ANGLE PROJECTION	
	10 <sup>UNDER</sup>	±0.2	DRAWN BY M. NABE I	DATE '06/10/16	TITLE 1.0 FFC CONN. NON-ZIF DIP ST. -LEAD FREE-			
	10 <sup>OVER</sup> 30 <sup>UNDER</sup>	±0.25	CHECKED BY K. TOYODA	DATE '06/10/16				
	30 <sup>OVER</sup>	±0.3	APPROVED BY N. UKITA	DATE '06/10/16	MOLEX INCORPORATED MATERIAL NO. SEE SHEET 1 DOCUMENT NO. SD-52806-003 SHEET NO. 2 OF 2			
	ANGULAR	±3 °	DRAFT WHERE APPLICABLE MUST REMAIN WITHIN DIMENSIONS					
0	REV	THIS DRAWING CONTAINS INFORMATION THAT IS PROPRIETARY TO MOLEX INCORPORATED AND SHOULD NOT BE USED WITHOUT WRITTEN PERMISSION						