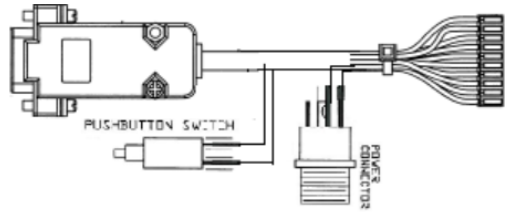



<b>ASC0409DC</b>	6 feet	Diagnostics Port and Programming. <b>3-Pin</b> to <b>DB-9</b> enclosed Wireless Data Transceiver Connector to DB9 of <b>enclosed</b> serial radio	FGR2, FGR3, GX, LRS
------------------	--------	---	---------------------

<b>EMD1280 AX</b>	EMD1280UX	Input: 100-240 VAC, 50/60 HZ Output: 12.0 VDC, 800 mA 2-pin Phoenix Connector (HTPlus-type Connector)	Z9-P2 Z9-PE2  FGR2-PE FGR2-CE FGR3-CE GX-CE HT-CE HTP-900 LRS-455-CE	
-------------------	-----------	---	---	--

<b>ASC3610DJ</b>	3 foot	Data Interface cable, 10-in board Level Connector to DB-9, Plus a power jack (2mm Barrel power connector), and setup Switch. RS-232 only (Rainbow Cable + Power + setup Switch)	FGR10, FGR2-C, FGR3-C, GX-C, LRS-C	
------------------	--------	---	------------------------------------	---

<b>ECN3102MF</b>	Adapter, <b>N-Type Male</b> to <b>SMA Female</b> , Gold contact pin	Part of <b>EAN0900NR</b>	
------------------	---	--------------------------	---

**MHS-WMS**

Shoe for new enclosure,  
for the gannet.

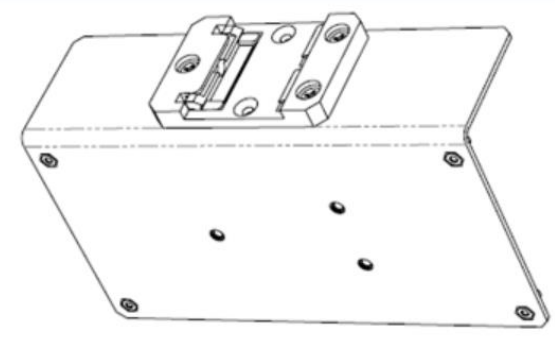
FGR2-CE,  
FGR2-PE,  
FGR3-CE,  
HT-PE,  
GX-CE,  
FGR2-IOS-CE



**AOH0001HT**

DIN Rail Bracket Kit  
(Includes **MIL0001HT**)

FGR2-P,  
HT-P,  
Z9-P,  
Z9-P2,  
ZIQ-P



**MBRK-DIN-N  
AOB7001AA**

DIN Rail Mount Bracket  
Assembly for the gannet.  
(Includes **ASM7002DR**)

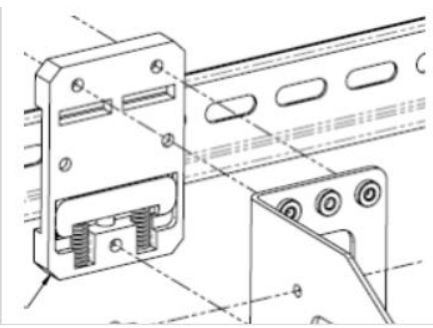
FGR2-CE,  
FGR2-PE,  
FGR3-CE,  
HT-PE,  
GX-CE,  
FGR2-IOS-CE




**AOH4003SP**


DIN Rail bracket kit,  
reversible ZumLink Z9-  
PE/Z9-PE2

Z9-PE,  
Z9-PE2



<b>ECN1234TN</b>	Adapter, <b>TNC Male to N-Type Female</b>	Enclosed (FGR2, FGR3, ZumLink, I2, GX)	
------------------	---	--	---

<b>EAN0900SR</b>	900 MHz, Whip Stub, Half Wave, <b>2 dBi</b> , Right Angle-360 degree swivel, with Straight <b>SMA Male</b> RF connector. (Larsen SPDA24918, Mobile Mark PSKN3-925S) Weight 0.06 lbs (26 grams)	
------------------	--	--

<b>EAN0906WB</b>	902 - 928 MHz, <b>6 dBi</b> , 65" Omni directional fiberglass antenna with heavy duty mounting bracket and N-Type Female RF Connector. Does not include cable. (Laird/ANTENEX)	
------------------	--	--

<b>EAN2405WC</b>	2.4-2.5 GHz, <b>5 dBi</b> , omni-directional. Does not include mounting hardware or cable. (Maxrad BMAXC24505) Weight 0.16 lbs (0.073 kg)	GX, GXM, I2	
------------------	---	-------------	--