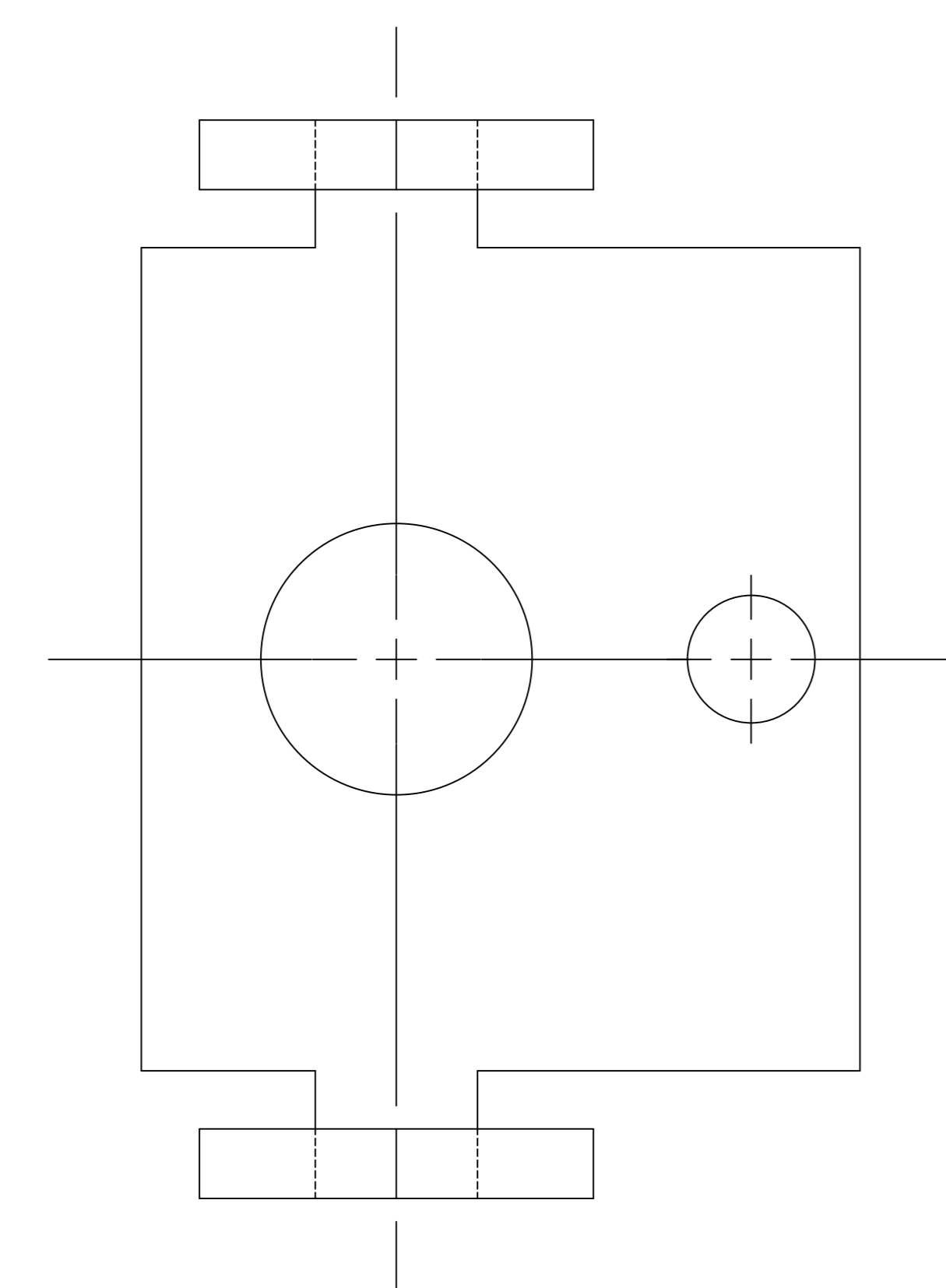
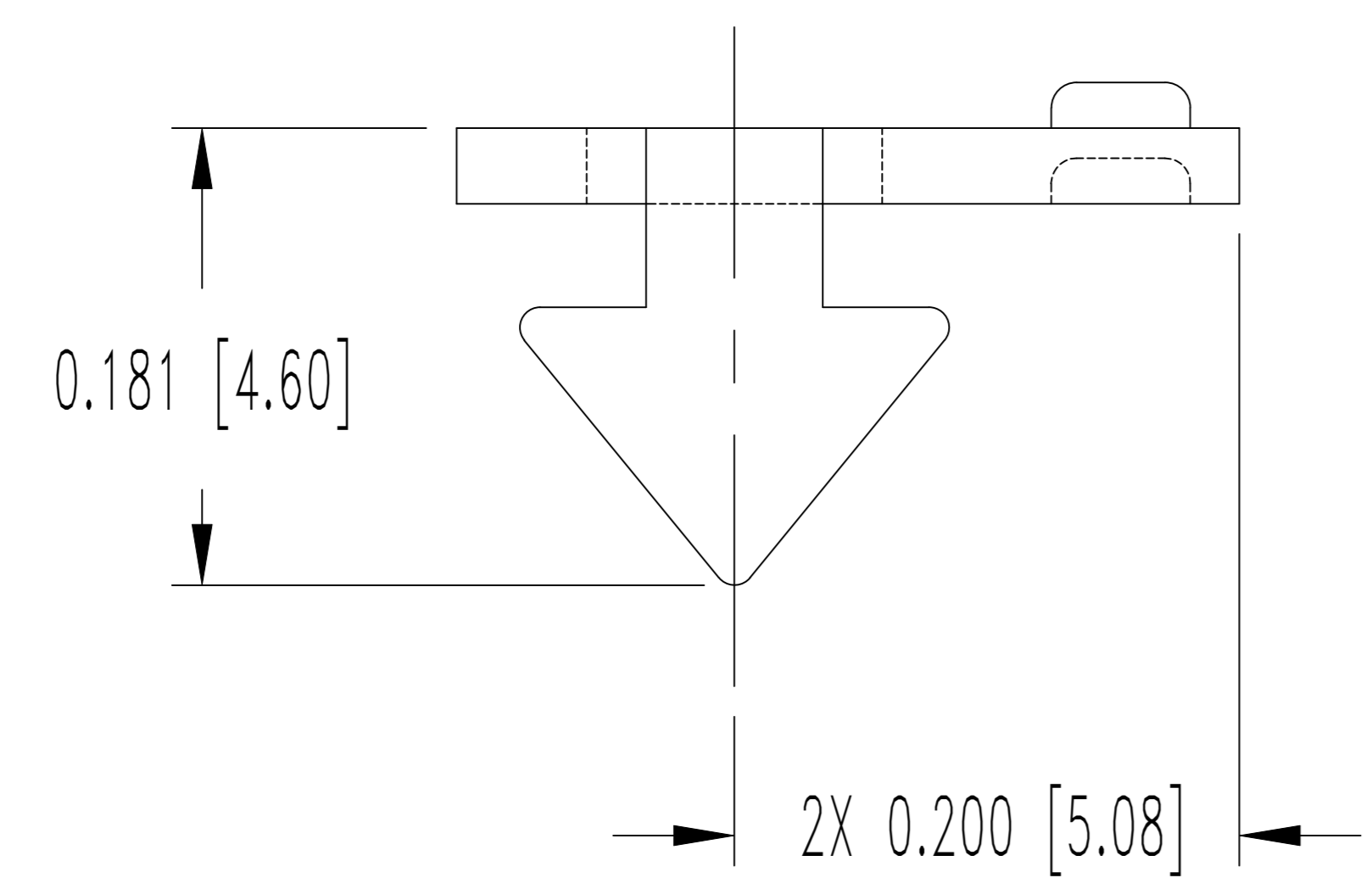
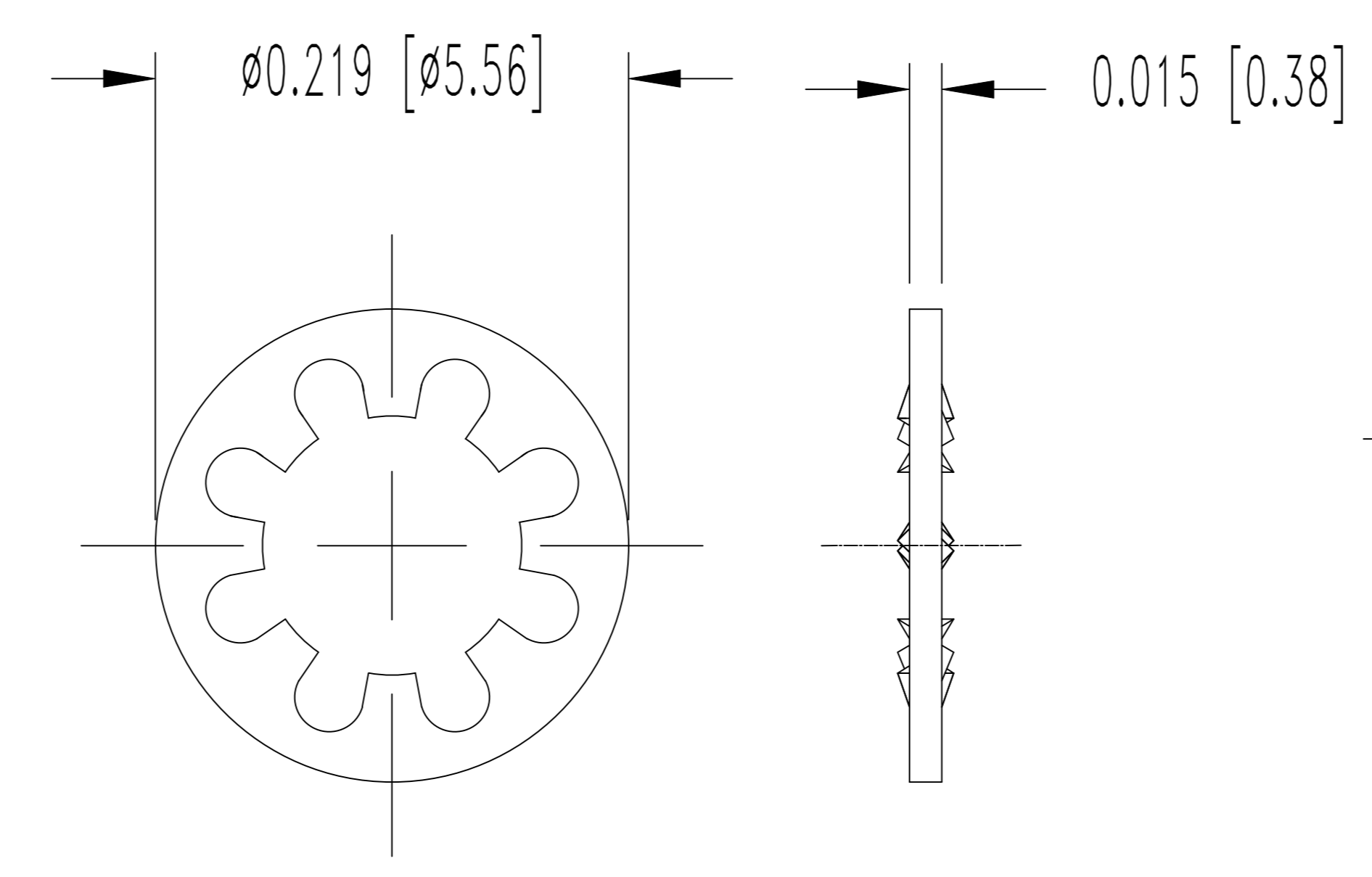


THIS DRAWING CONTAINS INFORMATION PROPRIETARY TO POSITRONIC AND ITS SUBSIDIARIES. POSITRONIC BELIEVES THE DATA ON THIS DRAWING TO BE RELIABLE, SINCE THE TECHNICAL INFORMATION IS GIVEN FREE OF CHARGE, THE USER EMPLOYS SUCH INFORMATION AT HIS OWN DISCRETION AND RISK. POSITRONIC ASSUMES NO RESPONSIBILITY FOR RESULTS OBTAINED OR DAMAGES INCURRED FROM USE OF SUCH INFORMATION IN WHOLE OR IN PART.

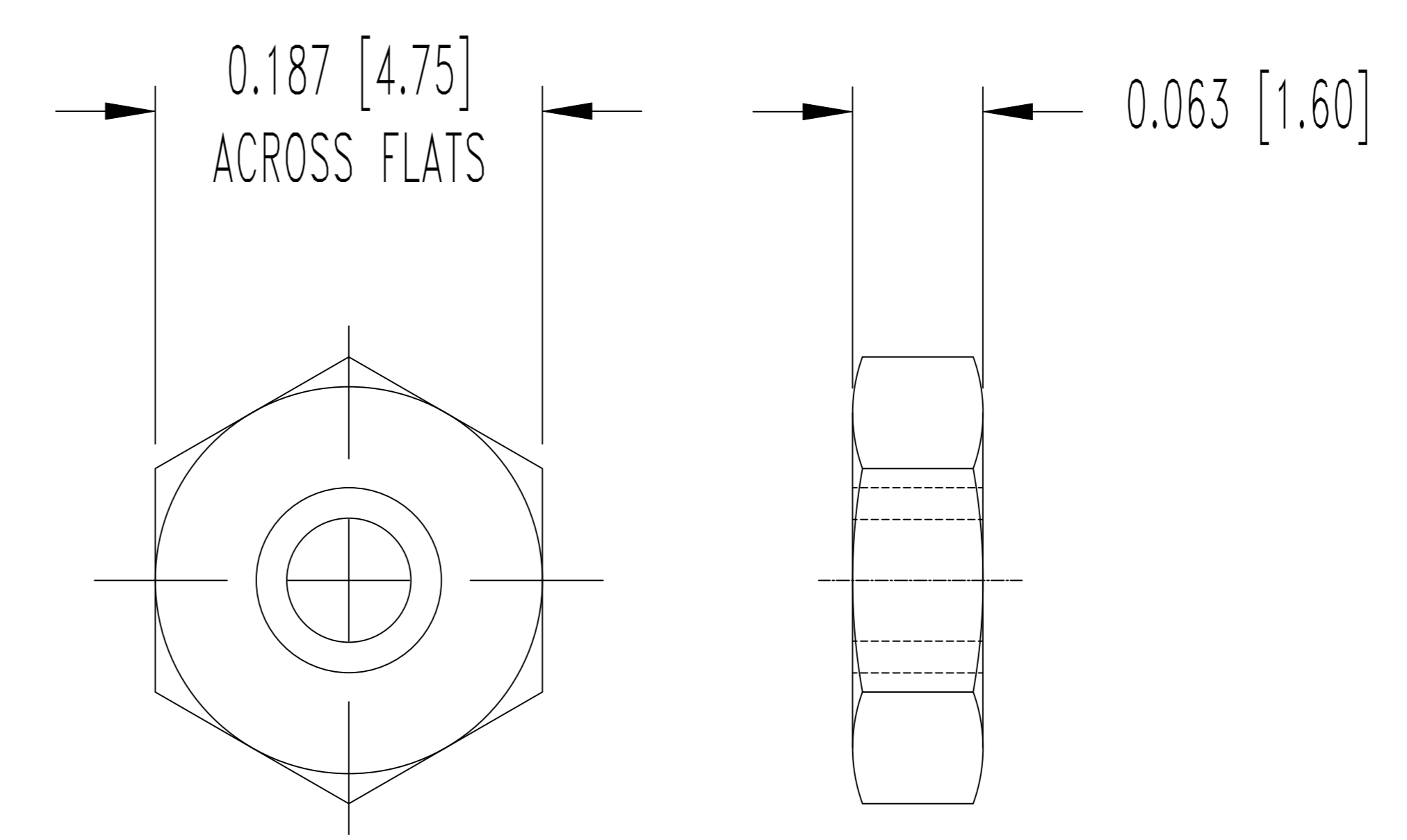
DATE	REV	REVISION RECORD	APP	DR	CK
10-10-01	NC	ECO 18418	RCW	ME	COLE
08-16-17	A	ECO 56320		GJ	BF



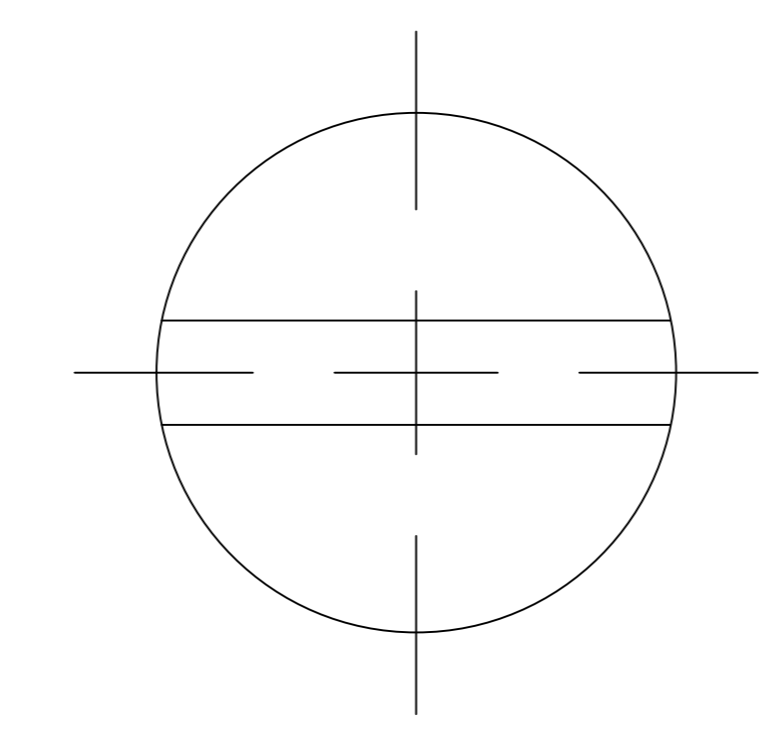
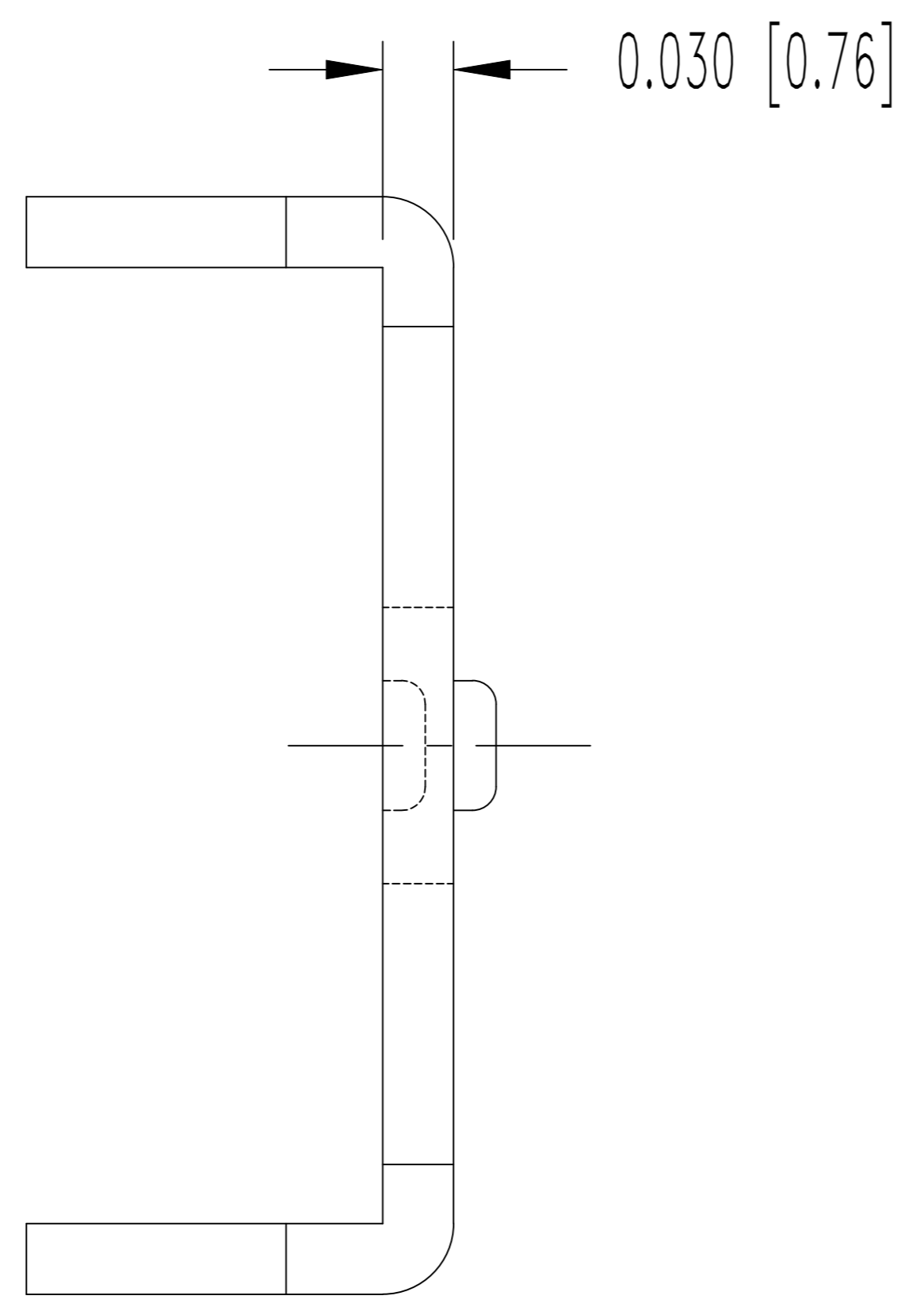
LOCK TAB



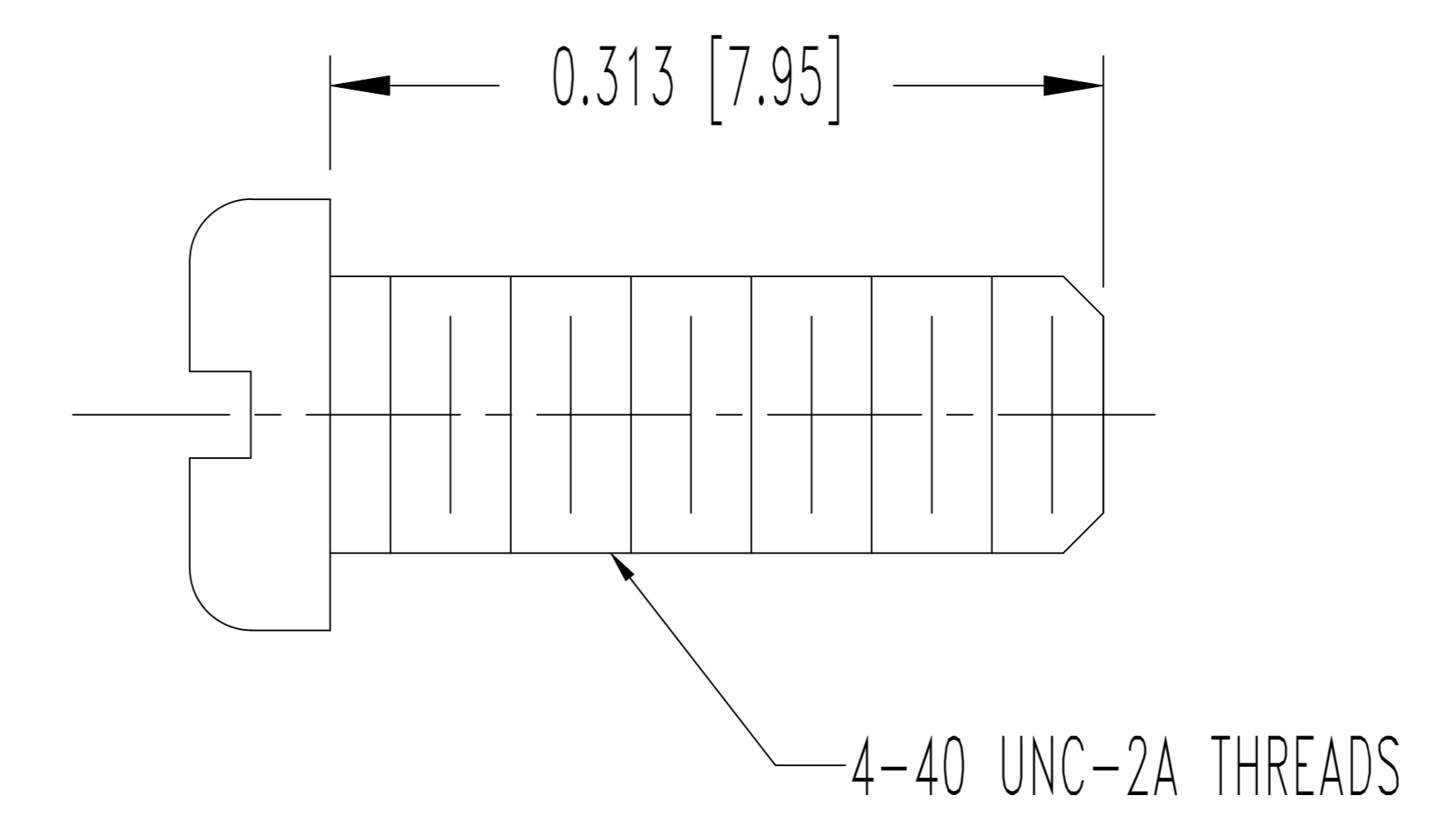
LOCKWASHER



HEX NUT



SCREW



NOTES:

- MATERIALS AND FINISHES:
 LOCK TAB: STEEL, NICKEL PLATE.
 LOCKWASHERS: BRONZE, ZINC PLATE WITH CHROMATE SEAL.
 HEX NUTS: BRASS, ZINC PLATE WITH CHROMATE SEAL.
 SCREWS: BRASS, ZINC PLATE WITH CHROMATE SEAL.
- THIS KIT CONSISTS OF: 2 LOCK TABS, 2 LOCKWASHERS, 2 HEX NUTS AND 2 SCREWS.
- DETAILED PRODUCT, MECHANICAL AND ELECTRICAL INFORMATION IS AVAILABLE IN THE LATEST D-SUB ACCESSORIES PRODUCT PUBLICATION AT CONNECTPOSITRONIC.COM.
- DIMENSIONS ARE IN INCHES [MILLIMETERS].

	POSITRONIC INDUSTRIES INC. www.connectpositronic.com		FSCM 28198
	DECIMAL TOL. $\pm 0.015 [0.38]$	TITLE D SERIES	SCALE N.T.S.
ANGULAR TOL. $\pm 5^\circ$	DATE 10-10-01	DRAWING NUMBER SK3961	REV. A
D9/370000V50			