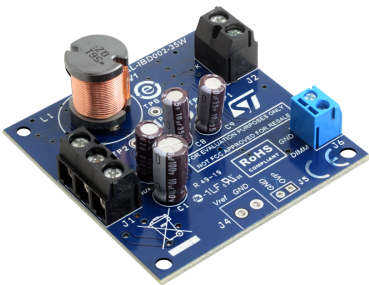


Inverse Buck 35W with LED current controlled by HVLED002 with Analog/PWM dimming regulation



Features

- Input voltage: V_{in} : 48 Vdc-60 Vdc; V_{aux} : 15 Vdc.
- LED output voltage: 24 Vdc-48 Vdc
- Maximum LED output current: 700 mA
- Dimming: between 1%-100%
- No-load: lower than 50 mW @ 60 Vindc
- Efficiency:
 - Full load: >97%
 - Load over 20% (analog dimming): > 95%
- Output Ripple Current: <80 mA @worst case 50 Vindc-48 Voutdc
- Short-circuit protection
- PCB board: 50 mm x 50 mm single-side PCB
- RoHS compliant

Description

This document describes the [EVAL-IBD002-35W](#) demonstration board behavior, designed to manage a dimmable 35 W LED load with a single inverse buck stage.

The [HVLED002](#) controller manages the inverse buck circuitry mainly composed by D1, L1 and Q1 components, able to provide around 700 mA as maximum LED load current.

An external 0-10 V signal is dedicated to managing a dimmed output LED current between 1%-100% of its maximum value with both Analog (100%-10%) and PWM (10%-1%) control.

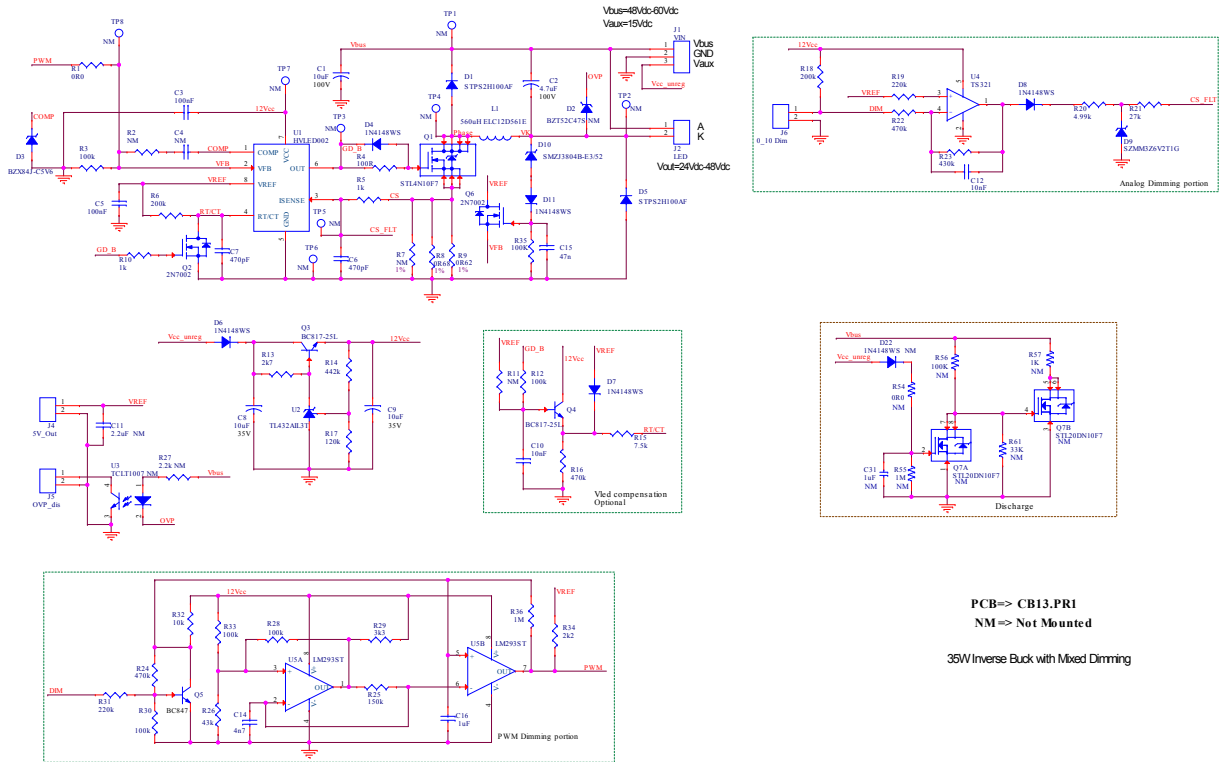
A 15 Vdc of auxiliary voltage is needed to power up the HVLED002 controller.

Product status link

[EVAL-IBD002-35W](#)

1 Schematic

Figure 1. EVAL-IBD002-35W schematic



PCB=> CB13.PRI
NM => Not Mounted
35W Inverse Buck with Mixed Dimming

2 Efficiency

Figure 2. EVAL-IBD002-35W Efficiency@60Vindc

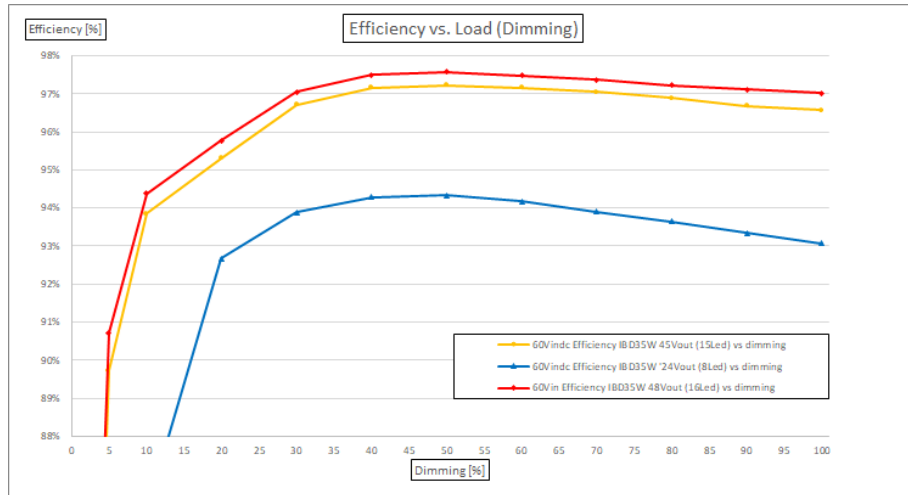
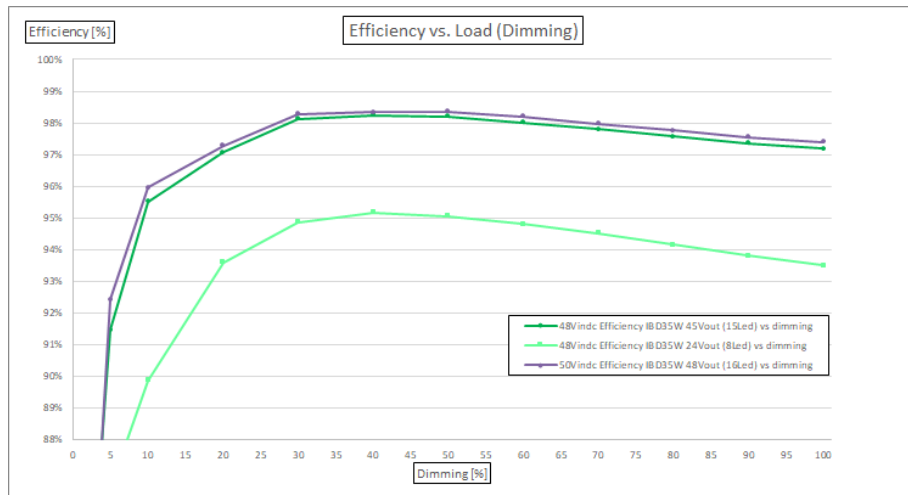


Figure 3. EVAL-IBD002-35W Efficiency@48 and 50Vindc



Revision history

Table 1. Document revision history

| Date | Version | Changes |
|-------------|---------|------------------|
| 25-Feb-2020 | 1 | Initial release. |

Contents

| | | |
|----------|-------------------------------|----------|
| 1 | Schematic | 2 |
| 2 | Efficiency..... | 3 |
| | Revision history | 4 |
| | Contents | 5 |
| | List of tables | 6 |
| | List of figures..... | 7 |

List of tables

Table 1. Document revision history 4

List of figures

| | | |
|------------------|---|---|
| Figure 1. | EVAL-IBD002-35W schematic | 2 |
| Figure 2. | EVAL-IBD002-35W Efficiency@60Vindc | 3 |
| Figure 3. | EVAL-IBD002-35W Efficiency@48 and 50Vindc | 3 |

IMPORTANT NOTICE – PLEASE READ CAREFULLY

STMicroelectronics NV and its subsidiaries (“ST”) reserve the right to make changes, corrections, enhancements, modifications, and improvements to ST products and/or to this document at any time without notice. Purchasers should obtain the latest relevant information on ST products before placing orders. ST products are sold pursuant to ST’s terms and conditions of sale in place at the time of order acknowledgement.

Purchasers are solely responsible for the choice, selection, and use of ST products and ST assumes no liability for application assistance or the design of Purchasers’ products.

No license, express or implied, to any intellectual property right is granted by ST herein.

Resale of ST products with provisions different from the information set forth herein shall void any warranty granted by ST for such product.

ST and the ST logo are trademarks of ST. For additional information about ST trademarks, please refer to www.st.com/trademarks. All other product or service names are the property of their respective owners.

Information in this document supersedes and replaces information previously supplied in any prior versions of this document.

© 2020 STMicroelectronics – All rights reserved