


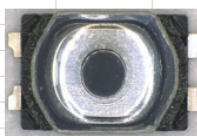
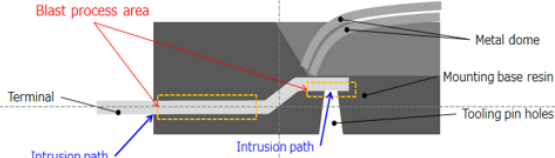


Discontinuation Notice: EVP-BB Series light Touch Switches

PDN.PG26.07.21.2016

07.21.2016

Effective Date:	Immediate
Last Time Buy Date:	October 12, 2016
Last Eligible Ship Date:	December 12, 2016
Discontinuation Details:	As part of a continuing effort for quality improvement, Panasonic has improved the EVP-BB Series. As a countermeasure to flux intrusion, Panasonic has applied a new surface processing on the terminals. See below for further explanation.
Suggested Replacement:	See attached.
Affected Part Numbers:	See attached.
Datasheets:	Discontinued and Replacement Datasheet files enclosed.
Notes:	

Item	Contents	
Apperance	Changed film cut shape as below	
	Current shape	Replacement shape
		
Structure	Outer cut shape	Inner cut shape
		
Adding Blast process on Terminal material		