

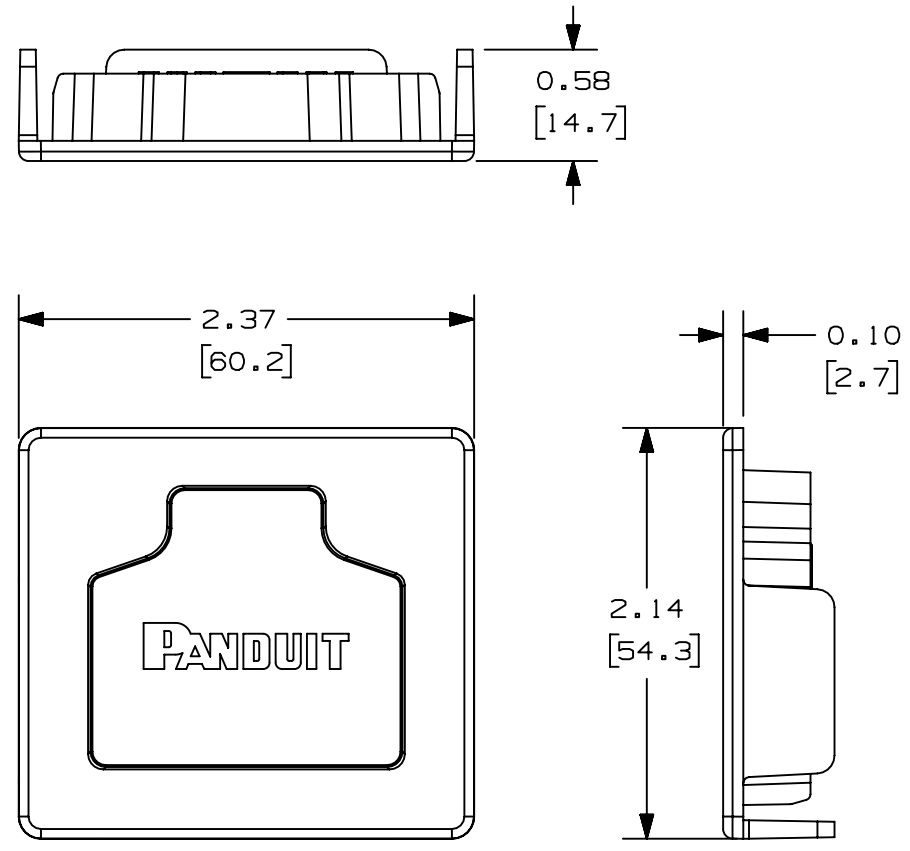
2

1

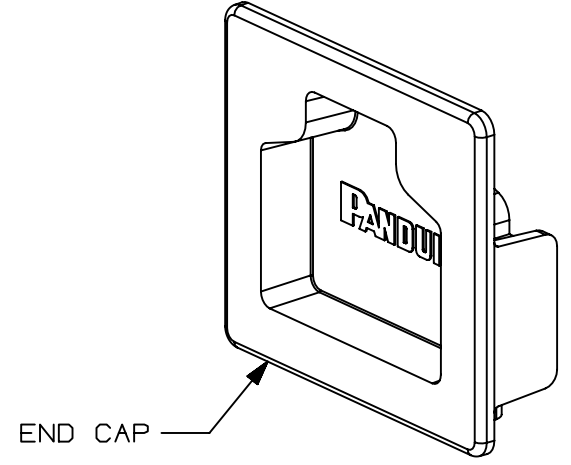
THIS COPY IS PROVIDED ON A RESTRICTED BASIS AND IS NOT TO BE USED IN ANY WAY DETRIMENTAL TO THE INTERESTS OF PANDUIT CORP.

NOTES:

- 1. SEE CURRENT CATALOG FOR ADDITIONAL PART SUFFIXES TO INDICATE COLOR AND/OR PACKAGE QUANTITY.
- 2. PARTS SUPPLIED:
(1) - END CAP
- 3. DIMENSIONS IN PARENTHESES ARE IN METRIC.



PANDUIT PART NUMBER	WEIGHT	MATERIAL
FHDEC2X2**	0.03 LB/EACH (15g/EACH)	ABS
FHDEC2X2L**	0.03 LB/EACH (15g/EACH)	PC/ABS



D10100DA/15

REV	DATE	BY	CHK	APR	DESCRIPTION	ECN
02B	8/28/20	MEX-JAGC	DWR	DWR	ADDED PART NUMBER	V09002DZ/11
2	05-03-13	JBN	RTFI	RN	D. UPDATED DRAWING BORDER & TITLE BLOCK	38390-02

TITLE PANDUCT TYPES H AND HS 2X2 WIRING DUCT AND FIBERRUNNER 2X2 END CAP - (FHDEC2X2**, FHDEC2X2L**)		PANDUIT
CUSTOMER DRAWING		
ITEM REVISION NAME D38390BB/01		MATERIAL: SEE PART NUMBER TABLE ABOVE
DATASET FILE NAME D38390BB_DC/01C		
DRAWING NUMBER: 38390-02		DRAWING NUMBER: 38390-02
THIRD ANGLE PROJECTION		
DRAWN BY JHNU	DATE 02-21-02	CHK DJWA
SCALE NONE		SIZE A

2

1