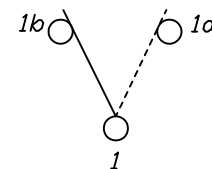
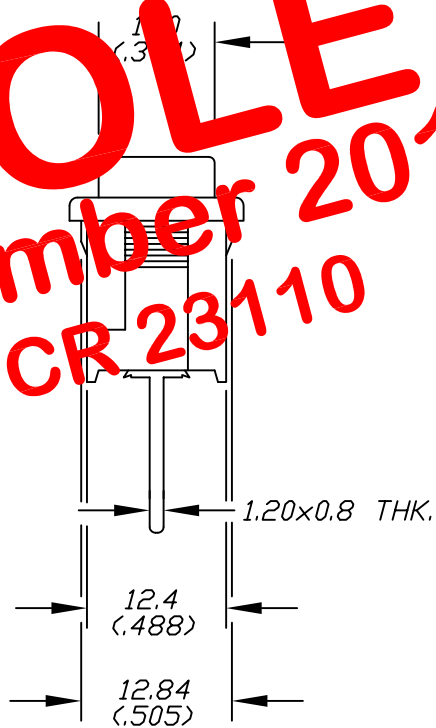
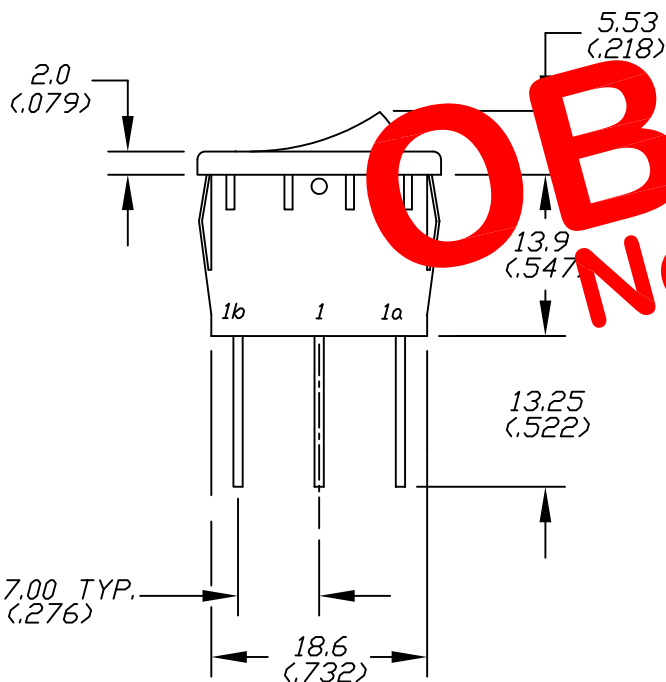


RECOMMEND PANEL MOUNTING

PANEL THICKNESS	X
.75-1.2 (.030-.049)	19.2 (.756)
1.25-2.0 (.049-.079)	19.4 (.764)
2.0-3.0 (.079-.118)	19.6 (.772)

OBSOLETE
 November 2017
 PCR 23110



CIRCUIT: SPDT

CONTACT CONFIGURATION



NOTES:

1. ALL DIMENSIONS IN MM (INCHES)
2. TERM. NOS. FOR REF ONLY
3. RATING: 15A 125V, 6A 250VAC

TOLERANCES	±0.4	±0.25
	0.0	0.00

E-SWITCH®

TITLE		R1966CKKEP			
SCALE	DATE	DR	DWG	REV	
1.5:1	2/26/97	MM	M302206	A	

THE INFORMATION CONTAINED IN THIS DOCUMENT IS PROPRIETARY TO E-SWITCH AND IS NOT TO BE COPIED OR TRANSFERRED

A	RELEASED FOR PRODUCTION		
REV.	DESCRIPTION	DATE	CHKD