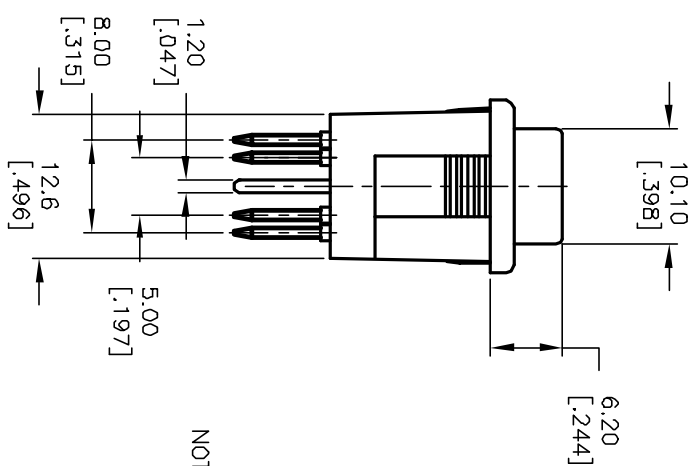
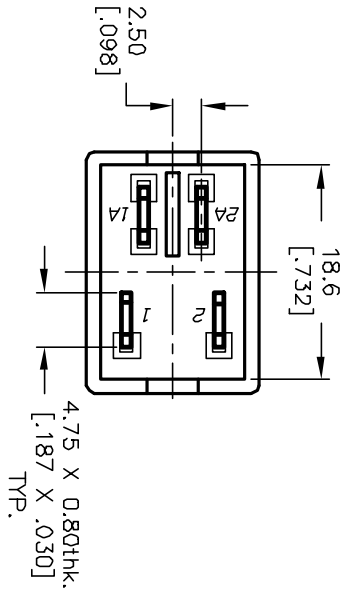
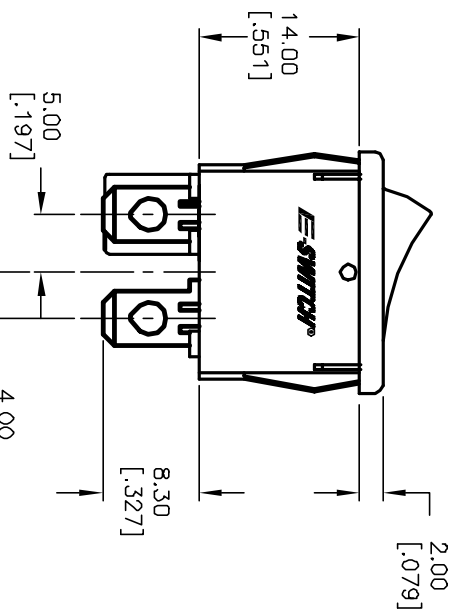
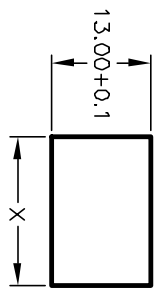


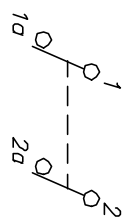
ON-OFF SYMBOL
MOLDED INTO HOUSING



PANEL THICKNESS	X dimension
0.75-1.25 [0.30-.049]	19.2-01 [0.7561]
1.25-2.0 [0.49-.079]	19.4-01 [0.7641]
2.0-3.0 [0.79-.118]	19.8-01 [0.7801]



PANEL CUTOUT
NOT TO SCALE



CIRCUIT: DPST

NOTES:

1. ALL DIMENSIONS IN MM [INCH]
2. GENERAL TOLERANCE: X.X=±0.4
X.XX=±0.25
3. RATING:
6A @250VAC;9A @125VAC (UL, CSA, VDE)
4(1)A @250VAC
4. MATERIAL:
CONTACT SURFACE: Coin Silver, Silver Plate
TERMINAL: Copper Alloy W/ Silver Plate.
5. CONTACT RESISTANCE: 20MILLIOHMS TYP. INITIAL
6. INSULATION RESISTANCE: 1000MEGohms
7. DIELECTRIC STRENGTH:
>1500V RMS min. @SEA LEVEL
>3000V RMS @SEA LEVEL
8. MECHANICAL LIFE: 50,000 CYCLES.
9. ELECTRICAL LIFE: 10,000 CYCLES.

E-SWITCH®

REV.	ECN No.	REVISION & REDRAWN	DATE	CHKD
B	11330	REVISED & REDRAWN	10/01/01	CJB
DESCRIPTION				
THE INFORMATION CONTAINED IN THIS DOCUMENT IS PROPRIETARY TO E-SWITCH AND IS NOT TO BE COPIED OR TRANSFERRED				

TITLE	SCALE	DATE	DR	DWG	REV
R1973B BLK BLK IF0	1.5:1	5/20/97	MM	M400012	B