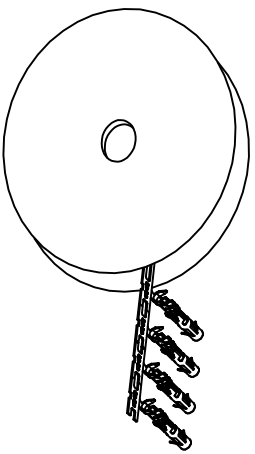


REVISIONS				
REV	ECO	DESCRIPTION	DATE	BY APPR
A1	-	RELEASED DRAWING	Jul-16-18	Flan Tommy

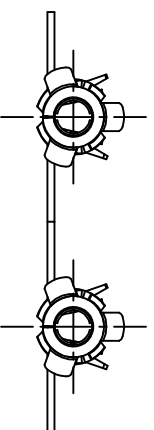
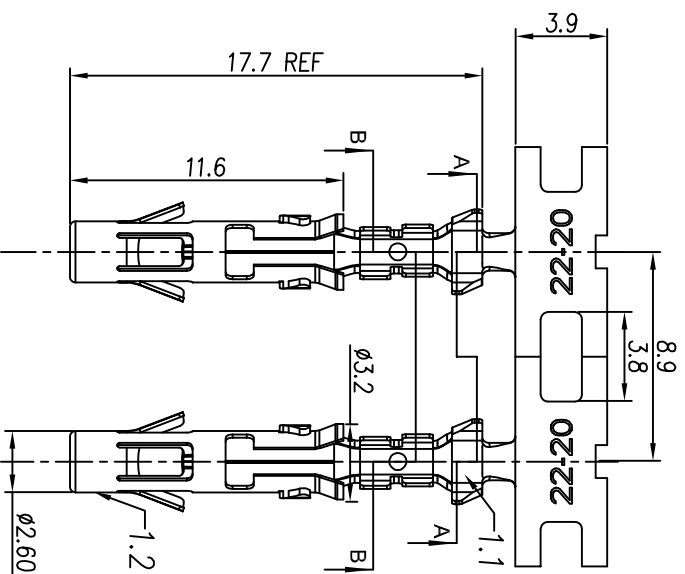
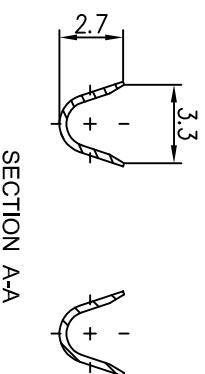
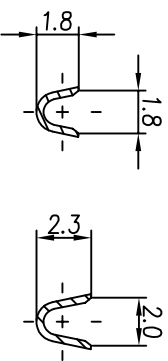


CONTACT ORIENTATION ON ROLL(3000PCS/COIL)

NOTES : (UNLESS OTHERWISE SPECIFIED)

- MATERIAL :
 - CONTACT BODY : COPPER ALLOY.
 - OUTER SPRING : STAINLESS STEEL.
- SPECIFICATIONS :
 - CURRENT RATING : 13A MAX.
 - TERMINATION TYPE : CRIMPING.
 - WIRE RANGE : 20~22AWG.
 - WIRE INSULATION DIA(MAX) : ϕ 2.5mm.
- ROHS COMPLIANT.
- ALL DIMENSIONS ARE FOR REFERENCE USE ONLY.
- AVAILABLE TOOLS :
 - HAND CRIMPER : MFX-3954.
 - CRIMP APPLICATOR : MFX-3957.
 - EXTRACTION TOOL : QXRTL16.

P/N	CONTACT PLATING(MATING AREA)
SS20M2T	TIN PLATING OVER NICKEL.
SS20M2N	NICKEL PLATING OVER COPPERIZE.
SS20M2F	GOLD FLASH PLATING OVER NICKEL.
SS20M2G5	5 μ "GOLD PLATING OVER NICKEL.
SS20M2G10	10 μ "GOLD PLATING OVER NICKEL.
SS20M2G15	15 μ "GOLD PLATING OVER NICKEL.
SS20M2G30	30 μ "GOLD PLATING OVER NICKEL.



QUANTITY	PART NUMBER	DESCRIPTION	ITEM

MATERIALS LIST

UNLESS OTHERWISE SPECIFIED	SIGNATURES	DATE	ECO-MATE SOCKET CONTACT, STAMPED 22-20AWG, SIZE 16
1) All dimensions are in millimeters. 2) Tolerances are as follows: 1 PL DEC AD 30 Fractions ±1/4 3 PL DEC AD 08 Angles ±1°	Flan	Jul-16-18	<p>Amphenol</p> <p>Sine Systems - www.amphenol-sine.com 44724 Morley Drive Clinton Township, MI 48036</p>
3) Note reference = Δ	Tommy	Jul-16-18	
MATERIAL SPECIFICATIONS:			

PROCESS SPECIFICATIONS:	CUSTOMER:	SIZE	TYPE	SCALE	SHEET	OF
1) TEST DRAWINGS SUPERSEDE ALL PREVIOUS DRAWINGS. 2) SPECIFICATIONS AND PERFORMANCE DATA ARE THE PROPERTY OF AMPHENOL CORPORATION. NO PARTS OR REPRODUCTION ARE PERMITTED. ALL MANUFACTURING VARIATIONS MUST BE APPROVED BY AMPHENOL CORPORATION.	ECO-MATE SOCKET CONTACT, STAMPED 22-20AWG, SIZE 16	B	C-	NONE	1	1
TEXT ASSY:			SS20M2XX			