

4

3

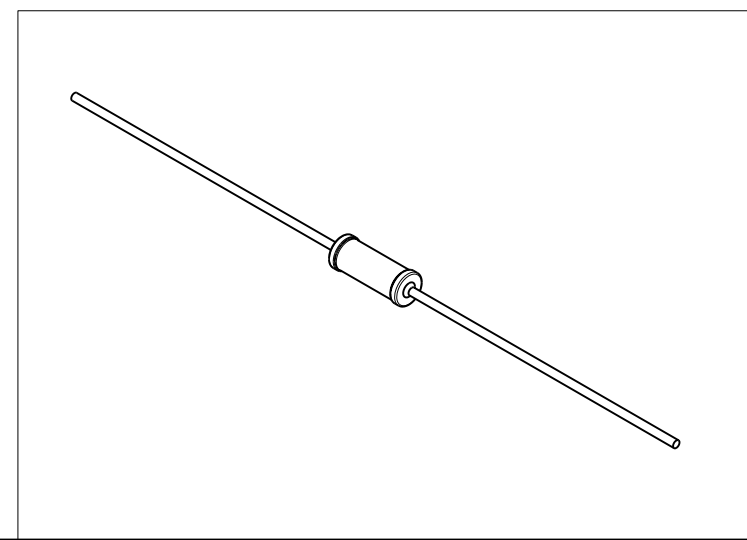
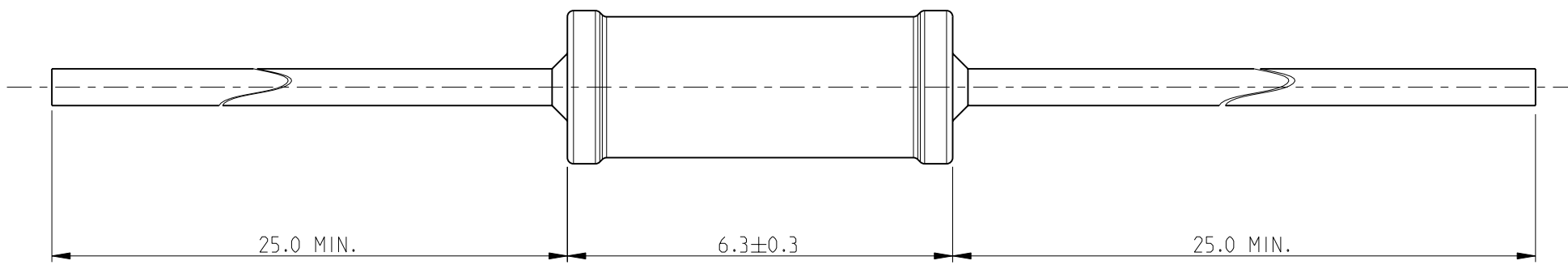
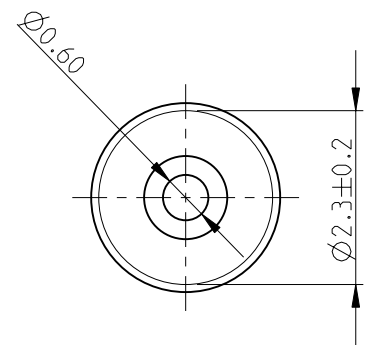
2

1

THIS DRAWING IS UNPUBLISHED. RELEASED FOR PUBLICATION 2008
 © COPYRIGHT 2008 BY TYCO ELECTRONICS CORPORATION. ALL RIGHTS RESERVED.

| LOC | DIST | REVISIONS | | | |
|-----|------|-------------|-------------|-----------|---------|
| P | LTR | DESCRIPTION | DATE | DWN | APVD |
| E | B | BA | NEW RELEASE | 14SEP2010 | PT St.P |

FOR FURTHER INFORMATION SEE DATA SHEET FOR
 SERIES R - PRECISION METAL FILM FIXED RESISTORS



| | | | | | |
|---|---|---|--|--------|--|
| <small>THIS DRAWING IS A CONTROLLED DOCUMENT FOR TYCO ELECTRONICS CORPORATION IT IS SUBJECT TO CHANGE AND THE CONTROLLING ENGINEERING ORGANIZATION SHOULD BE CONTACTED FOR THE LATEST REVISION.</small> | | DWN 14SEP2010 PARUSURAM.T CHK 14SEP2010 ALLAN.P APVD 14SEP2010 STEPHEN.P | Tyco Electronics Corporation Dorcan, Swindon, SN3 5HH | | |
| DIMENSIONS: mm | TOLERANCES UNLESS OTHERWISE SPECIFIED: 0 PLC ±0.2 1 PLC ±0.1 2 PLC ±- 3 PLC ±- 4 PLC ±- ANGLES ±5° | PRODUCT SPEC - APPLICATION SPEC - WEIGHT - | NAME PRECISION METAL FILM FIXED RESISTORS SERIES YR1 | | |
| MATERIAL - | FINISH - | SIZE A3 CAGE CODE 00779 DRAWING NO C-1676913 | RESTRICTED TO - | | |
| CUSTOMER DRAWING | | SCALE 10:1 | SHEET 1 OF 1 | REV BA | |