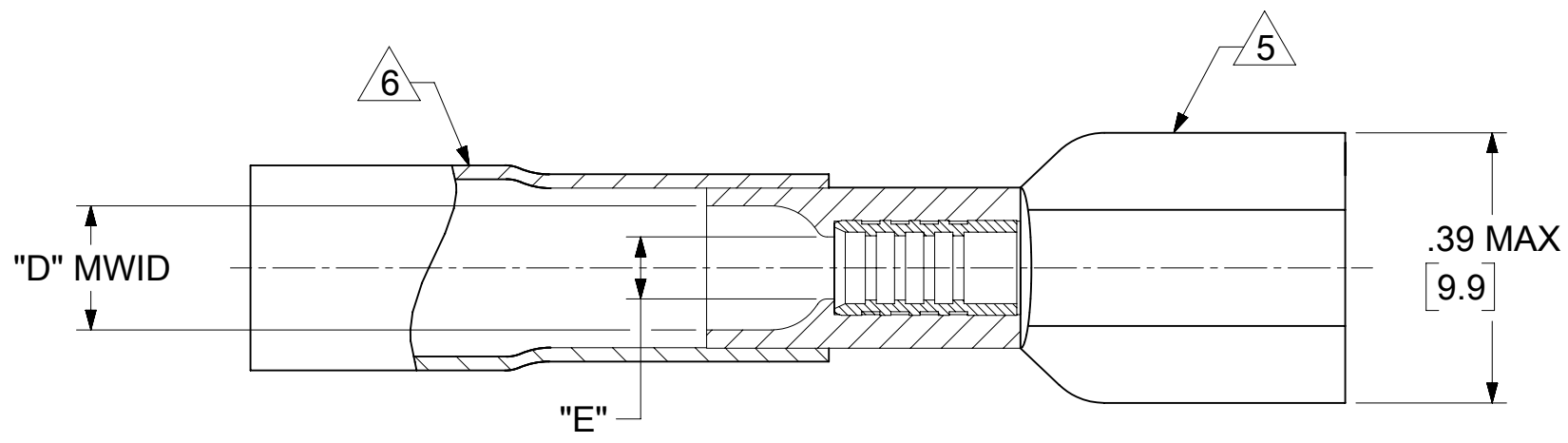
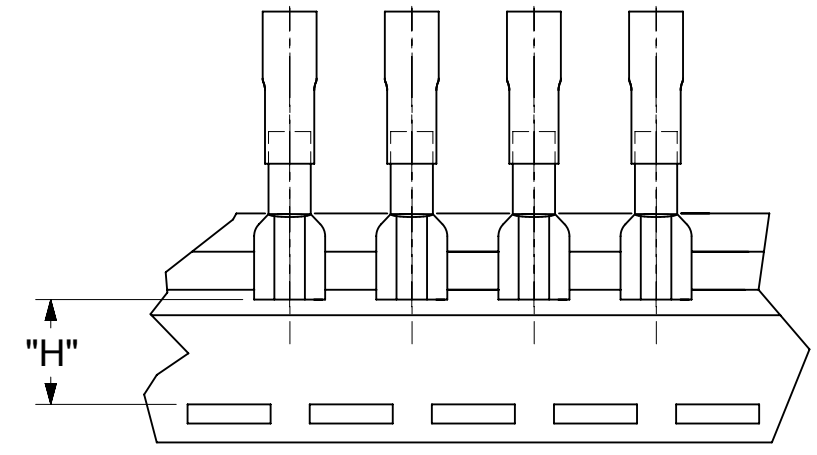
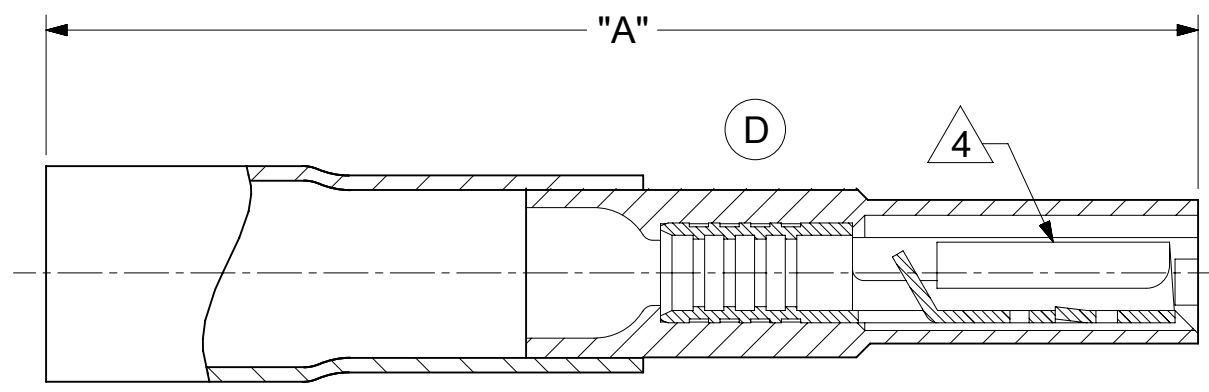


MAT'L NO.	ENG NO.	DESCRIPTION	MAT'L NO. TAPE	ENG NO. TAPE	WIRE SIZE AWG	FITS MALE TAB	PERMA-SEAL COLOR	"A" MAX	"D" MWID	"E" MIN	"H" NOMINAL
191640017	SAA-9261	PERMA-SEAL, COUPLER ASSY	191640018	SAA-9261T	22-18 (0.25 - 1.5)	.250 x .032	RED	1.70 (43.2)	.17 (4.3)	.081 (2.05)	.55 (14.0)
191640050	SBB-9263		191640051	SBB-9263T	16-14 (1.0 - 2.5)		BLUE				
191640076	SC-9281	PERMA-SEAL, AVIKRIMP ASSY	191640305	SC-9281T	12-10 (4.0 - 6.0)		YELLOW	1.72 (43.7)	.23 (5.8)	.140 (3.56)	.56 (14.2)



ASSY PART NUMBER:  
191640017 & 191640050  
CROSS-SECTION VIEW



TAPE MOUNTING DETAIL

NOTE(S):

- FEMALE RECEPTACLE CONFORMS TO UL310.
- ALL DIMENSIONS SHOWN ARE BEFORE SHRINK TUBING IS HEATED.
- "MWID" = MAXIMUM WIRE INSULATION DIAMETER
- △ TERMINAL MATERIAL: .018 (0.46) THICK BRASS. PLATING: TIN
- △ INSULATION MATERIAL: MOLDED NYLON.
- △ NYLON TUBING WITH HOTMELT INNER LINER. (SEE CHART FOR COLOR).
- ALL PARTS ARE RoHS COMPLIANT.

THIS DRAWING CONTAINS INFORMATION THAT IS PROPRIETARY TO MOLEX ELECTRONIC TECHNOLOGIES, LLC AND SHOULD NOT BE USED WITHOUT WRITTEN PERMISSION											
FUNCTIONAL SYMBOLS		DIMENSION UNITS		SCALE		CURRENT REV DESC: ADD .200 GAP PER PCN #511248.					
FA = 0		IN/MM		NTS		<p><b>molex</b></p> <p>PERMA-SEAL COUPLER FEMALE RECEPTACLE</p> <p>PRODUCT CUSTOMER DRAWING</p> <p>DOCUMENT NUMBER: SD-19164-020   DOC TYPE: PSD   DOC PART: 001   REVISION: D</p> <p>MATERIAL NUMBER: 19164   CUSTOMER: GENERAL MARKET   SHEET NUMBER: 1 OF 1</p>					
FE = 0		GENERAL TOLERANCES (UNLESS SPECIFIED)									
FD = 0		MM		INCH							
DIVISIONAL SYMBOLS		4 PLACES ±		±							
		3 PLACES ±		±							
		2 PLACES ±		±							
		1 PLACE ±		±							
		0 PLACES ±		±							
		ANGULAR TOL ± °		°							
DRAFT WHERE APPLICABLE MUST REMAIN WITHIN DIMENSIONS				THIRD ANGLE PROJECTION		DRAWING		SERIES		MATERIAL NUMBER	
				B-SIZE		19164					