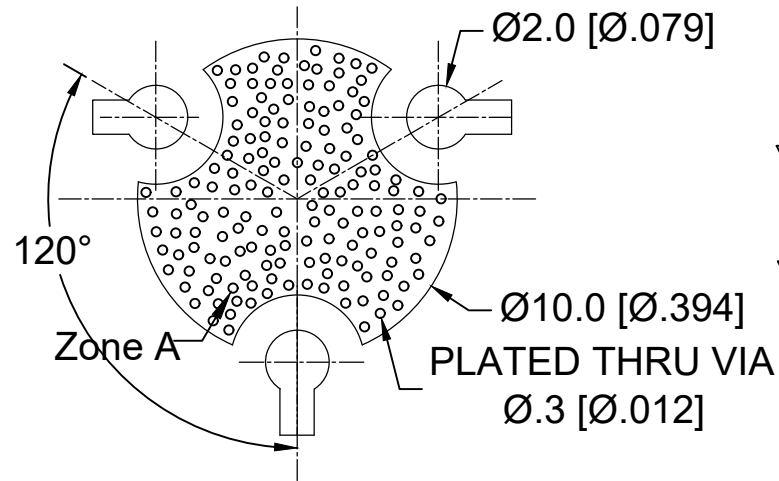
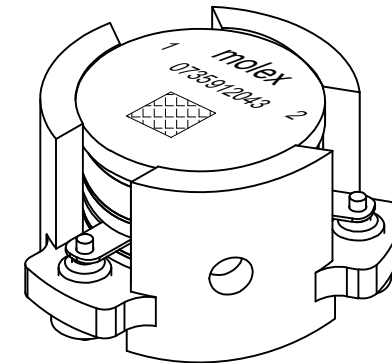
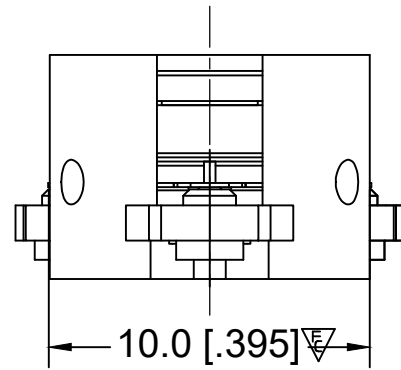
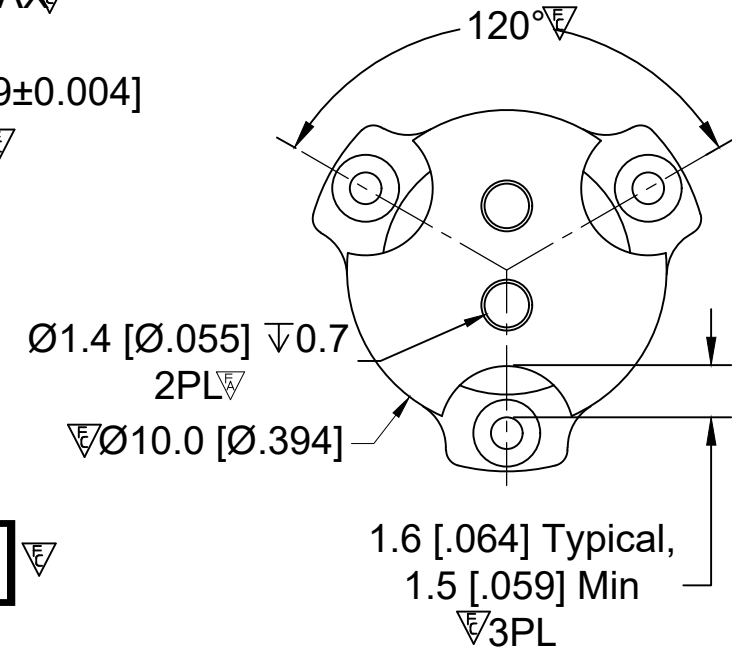
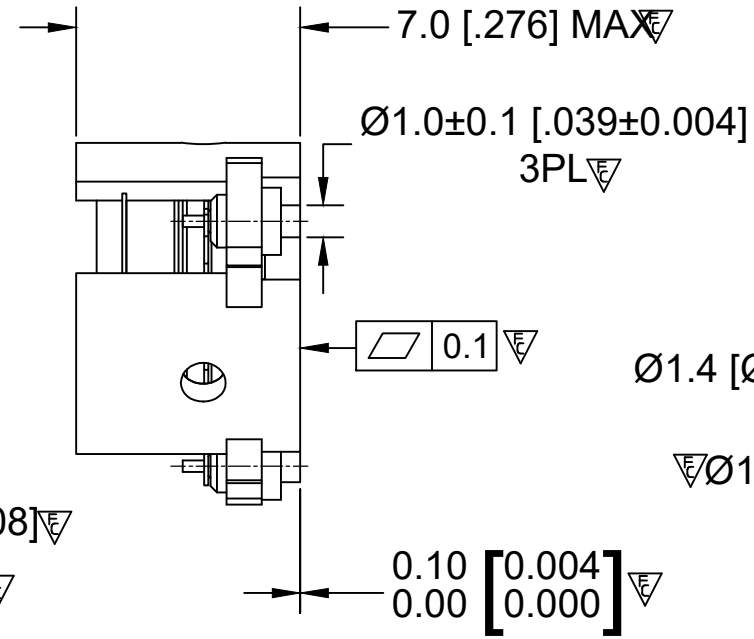
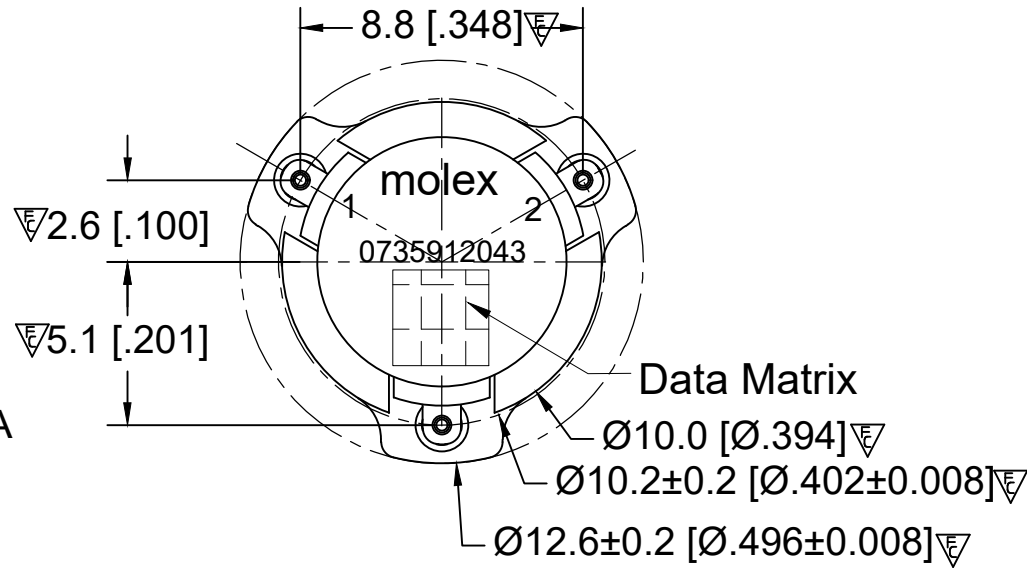


RECOMMENDED LAND PATTERN :

Zone A must be attached to heat sink. Thermal conductivity of intermediate layers between Zone A and heat sink must be better than 0.1 W / [°C x mm].



PCB Material :Rogers RO4350B,0.508mm thickness
trace width 1.07mm wide.



BODY: CARBON STEEL, SILVER PLATED
RIGID PINS: COPPER, SILVER PLATED

NOTES:

- 1.STANDARD INPUT/OUTPUT IMPEDANCE 50 Ohm
- 2.LEAD FREE, NO Nd MATERIAL, BeO FREE
- 3.THE DIMENSION OF DATE MATRIX IS 3X3MM INFORMATION INCLUDING WORK ORDER NUMBER-SERIAL NUMBER-MATERIAL NUMBER
- 4.THIS PART COMPLIES WITH ALL RoHS REQUIREMENTS

ELECTRICAL SPECIFICATIONS :

- Frequency Range : 3500~4100 MHz
- Insertion Loss : 0.40 dB max
- Isolation : 20 dB Min
- Return Loss : 20 dB min
- Forward Power : 20W
- Peak Power : 200W
- Reverse Power : 20W
- IMD(2.5W*2tones,1MHz Spacing) :-60 dBc max
- Operating Temperature : -40°C to +105°C
- Direction : CW

ENG PART#:802-350-410-VP040

FUNCTIONAL SYMBOLS	THIS DRAWING CONTAINS INFORMATION THAT IS PROPRIETARY TO MOLEX ELECTRONIC TECHNOLOGIES, LLC AND SHOULD NOT BE USED WITHOUT WRITTEN PERMISSION			
	DIMENSION UNITS	SCALE	CURRENT REV DESC:	
$F_A=0$	MM	1:1	RELEASE TO PROD	
$F_E=0$	GENERAL TOLERANCES (UNLESS SPECIFIED)			
$F_P=0$		mm	INCH	
DIVISIONAL SYMBOLS	4 PLACES	±0.005	±----	EC NO: 696580
	3 PLACES	±0.025	±----	DRWN: SREN05 2022/02/21
	2 PLACES	±0.13	±----	CHK'D: JLI252 2022/02/23
	1 PLACE	±0.2	±----	APPR: HWANG186 2022/03/01
	0 PLACES	±0.4	±----	INITIAL REVISION:
	ANGULAR TOL	± 1.5 °		DRWN: SREN05 2021/11/15
	DRAFT WHERE APPLICABLE MUST REMAIN WITHIN DIMENSIONS			APPR: HWANG186 2022/03/01
		THIRD ANGLE PROJECTION	DRAWING	SERIES
			A3-SIZE	73591
			MATERIAL NUMBER	CUSTOMER
			0735912043	CUSTOM PART
			DOCUMENT NUMBER	DOC TYPE DOC PART REVISION
			735912043	PSD 000 A
			SHEET NUMBER	1 OF 1