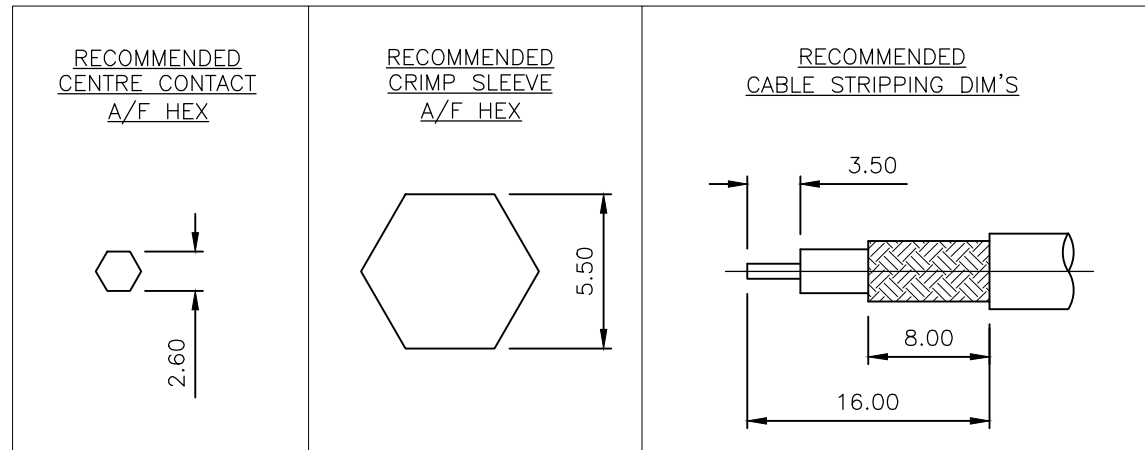
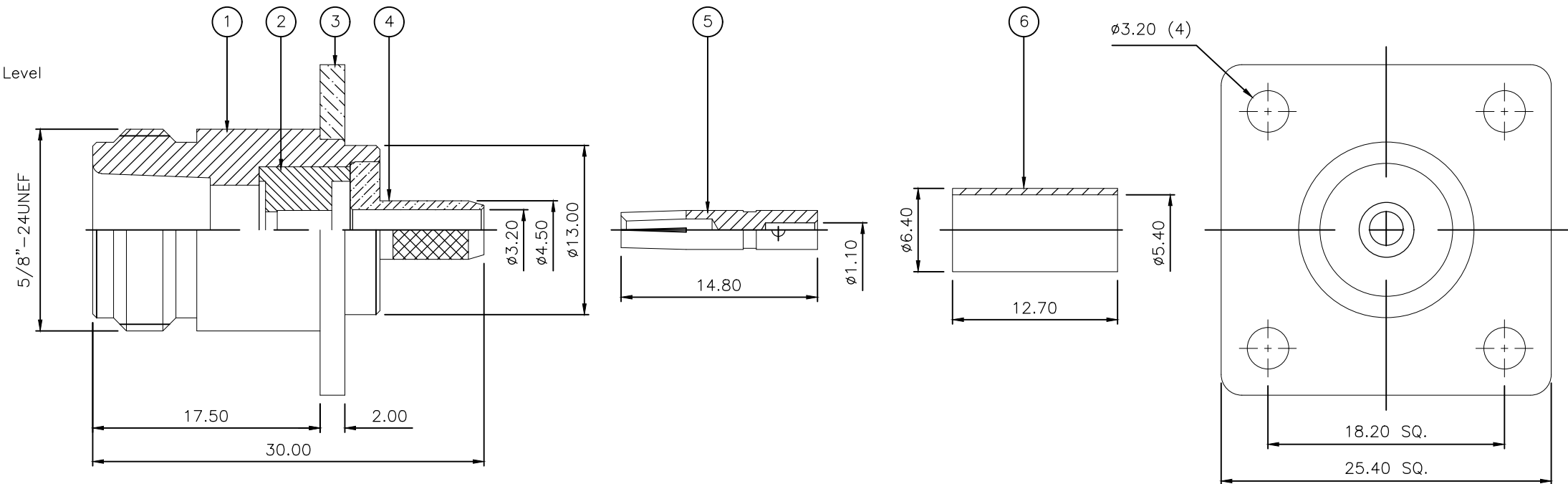


P	LTR	DESCRIPTION	DATE	DWN	APVD
	B1	REVISED PER ECO-20-016530	23NOV2020	RZ	RS

NOTES:

- ① PACK IN ACCORDANCE WITH AMP SPEC 107-3275
- ② 100 TRAY PACK IN ACCORDANCE WITH AMP SPEC 107-3275
- ③ Ag PLATING
- 4 HAND TOOL : 9-1478240-0
- 5 DIE SET : 9-1478242-0
- 6 ELECTRICAL CHARACTERISTICS
 FREQUENCY RANGE: DC - 11 GHz
 NOMINAL IMPEDANCE: 50 Ohm
 INSULATION RESISTANCE: 5000 MOhm
 WORKING VOLTAGE: 1000 Volts RMS at Sea Level
 DIELECTRIC WITHSTAND VOLTAGE: 2500 Volts RMS Max
 CONTACT RESISTANCE:
 CENTRE CONTACT: 1.00 mOhm Max
 OUTER CONTACT: 1.00 mOhm Max
 VSWR @ 4GHz: 1.30:1 Max
 INSERTION LOSS dB @ x 4 GHz: 0.30 Max
- 7 MECHANICAL CHARACTERISTICS
 COUPLING NUT RETENTION FORCE: N/A
 CABLE RETENTION FORCE: 170N Min
 DURABILITY: 500 Cycles Min
- 8 ENVIRONMENTAL CHARACTERISTICS
 OPERATING TEMPERATURE: -65 to +165 DegC
- 9 FOR TECHNICAL DATA REFER TO YOUR LOCAL TYCO ELECTRONICS SALES OFFICE
- 10 ALL DIMENSIONS ARE NOMINAL FOR REFERENCE ONLY UNLESS OTHERWISE STATED



THIS DRAWING IS A CONTROLLED DOCUMENT.

DIMENSIONS: mm	TOLERANCES UNLESS OTHERWISE SPECIFIED: 0 PLC ± - 1 PLC ± - 2 PLC ± - 3 PLC ± - 4 PLC ± - ANGLES ± -
MATERIAL SEE TABLE	FINISH -

DWN J.SANDWELL 22AUG06	NAME TYPE 'N' PANEL JACK CRIMP 50 OHM RG58C/U, 141A/U, URM43, 76, KX15
CHK S.PARLOW 22AUG06	
APVD F.WHEELER-KING 22AUG06	
PRODUCT SPEC -	
APPLICATION SPEC 411-3247	SIZE A3
WEIGHT 0.000000	CAGE CODE 00779
CUSTOMER DRAWING	DRAWING NO C-1478212
	RESTRICTED TO -
	SCALE NTS
	SHEET 1 OF 1
	REV B1

QTY	QTY PER ASSY	MATERIAL	DESCRIPTION	ITEM
1	1	BRASS	FERRULE	6
1	1	BRASS	CONTACT	5
1	1	BRASS	CHASSIS	4
1	1	BRASS	FLANGE	3
1	1	PTFE	INSULATION	2
1	1	BRASS	BODY	1
6--0	1--0			

