

PRODUCT DESCRIPTION CODE :

10155470-A0XX LF

- RoHS COMPATIBLE
- FOR CUSTOMER CODE:
BLANK = GENERAL USE
- BLANK = WITH CPA
W = WITHOUT CPA
- NUMBER OF POSITIONS: 02 TO 10

CODING TYPE:
A = CODING A
B = CODING B
C = CODING C

NOTES:

1 - MATERIAL:

HIGH TEMPERATURE THERMOPLASTIC UL94 V-0
HOUSING AND TPA: COLOR BLACK
CPA: COLOR RED

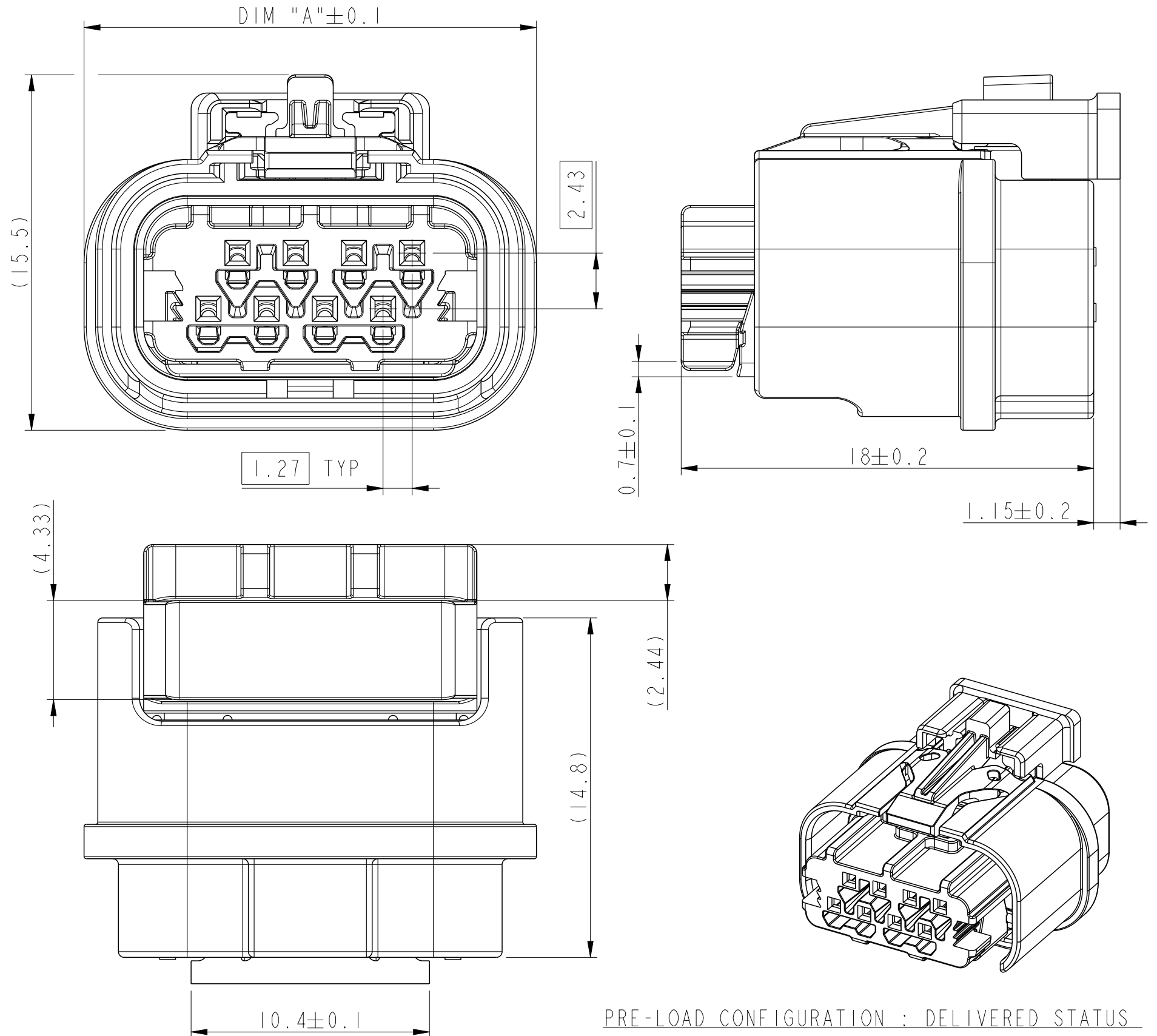
SEALS: LIQUID SILICONE RUBBER

2 - FOR USE WITH MINITEK MicroSpaceXS CTW
TERMINALS :AWG 22 TO 28, SERIES 10155447

3 - OPTIONAL: CAN BE MATED WITH MINITEK
MicroSpaceXS HEADER PANEL MOUNT SEALED
SERIES 10155466

4 - THE PRODUCT IS NOT INTENDED TO BE EXPOSED
TO ANY SOLDER PROCESS.

5 - RoHS COMPATIBLE PRODUCT SPECIFICATIONS
a - LABELLING :
MEETS PACKAGING SPECS AS PER GS-14-920
b - LEGAL STATEMENT :
SEE GS-47-0004.



spec ref	GS-12-1634	dr	Soman-adm, Shi	2020/06/03	projection	mm	size	A3	scale	5:1		
tolerance std	ISO 406 ISO 1101	eng	Hyppias, Arnau	2020/06/26			ecn no	-	rel level	Released		
TOLERANCES UNLESS OTHERWISE SPECIFIED		chr	Detouillon, Da	2020/06/26								
surface	linear	0.X	±0.3	Amphenol FCI	RECEPTACLE ASSEMBLY MINITEK MicroSpaceXS SEALED	dwg no 10155470	rev A	-				
		0.XX	±0.10					cat. no.	-	Product - Customer Drw	sheet 1 of 3	
	angular	0°	±2°					-		-		

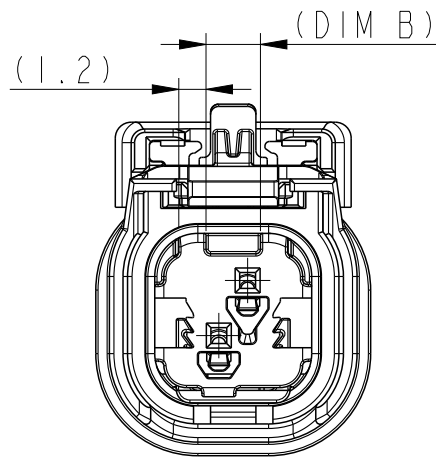
Amphenol FCI

© 2016 AFCI

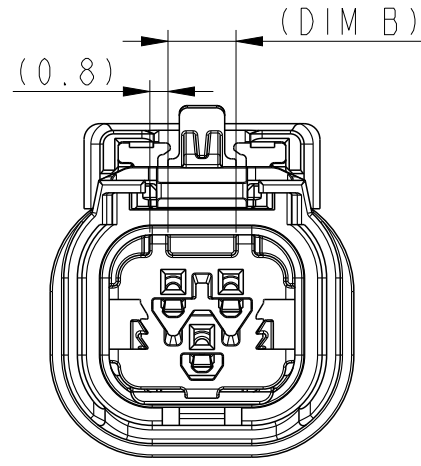
COD A VIEWS AND DIMENSIONS

COD B VIEWS AND DIMENSIONS

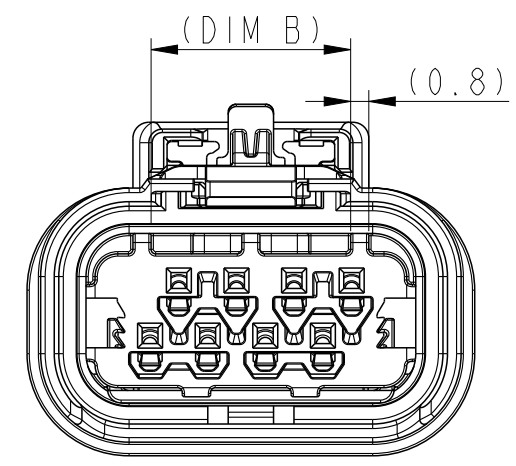
COD C VIEWS AND DIMENSIONS



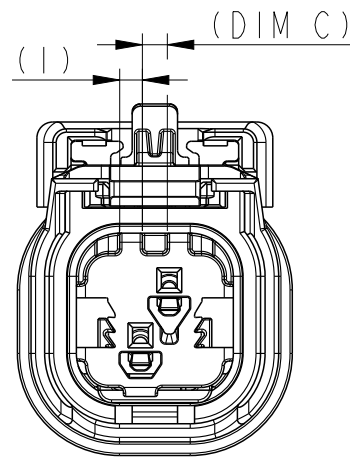
FOR 02POS



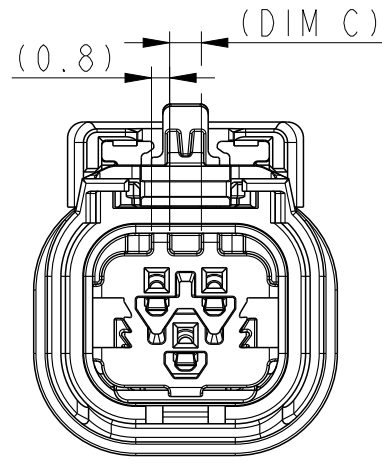
FOR 03 TO 05POS



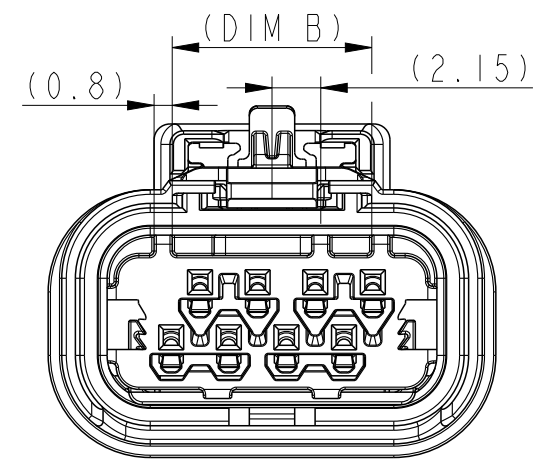
FOR 06 TO 10POS



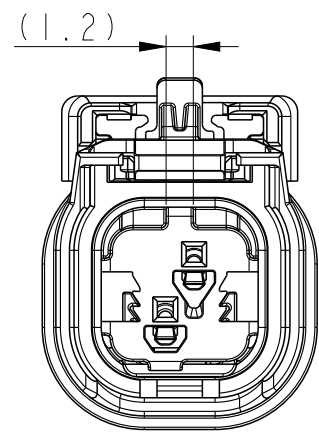
FOR 02POS



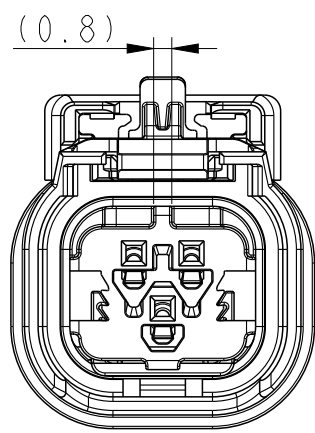
FOR 03 TO 05POS



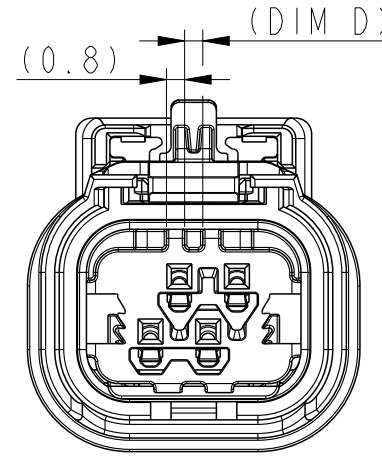
FOR 06 TO 10POS



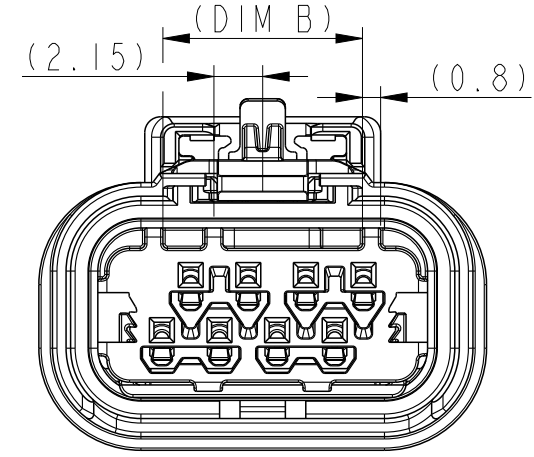
FOR 02POS



FOR 03POS



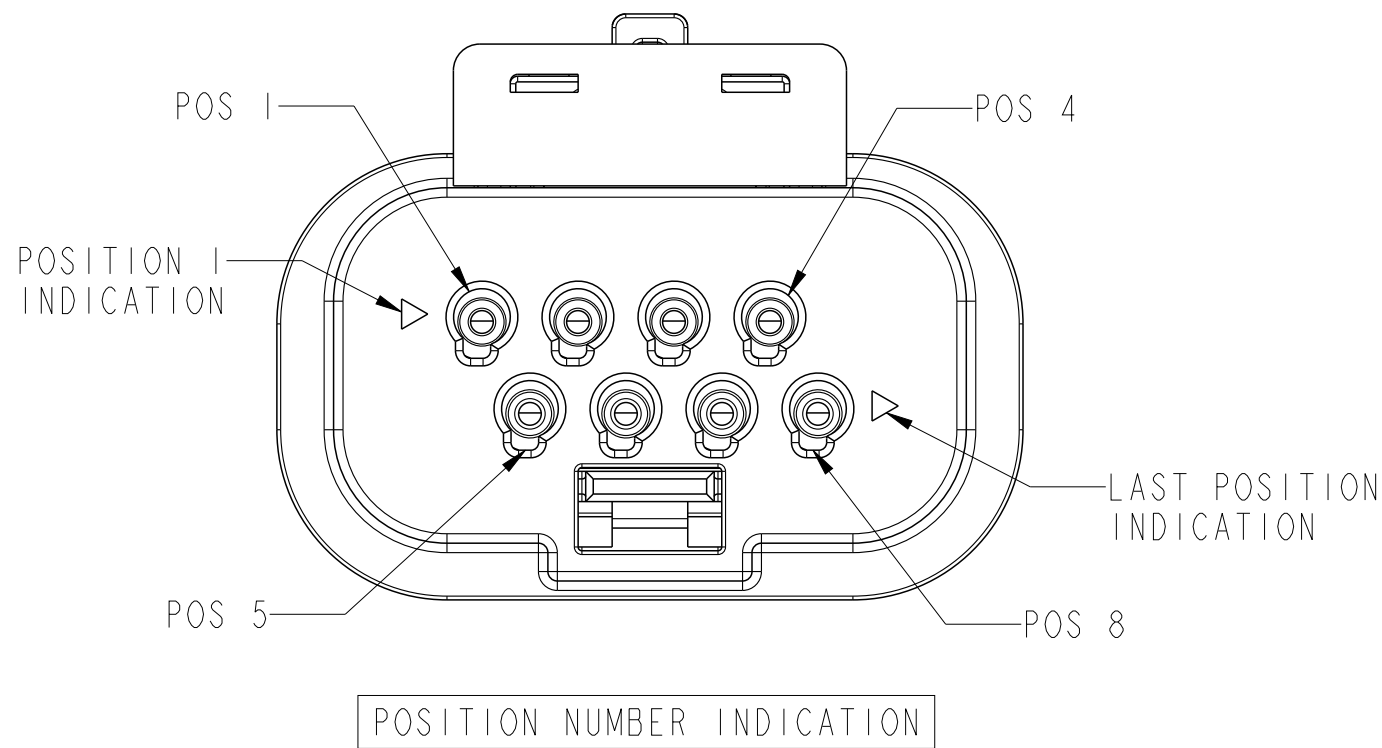
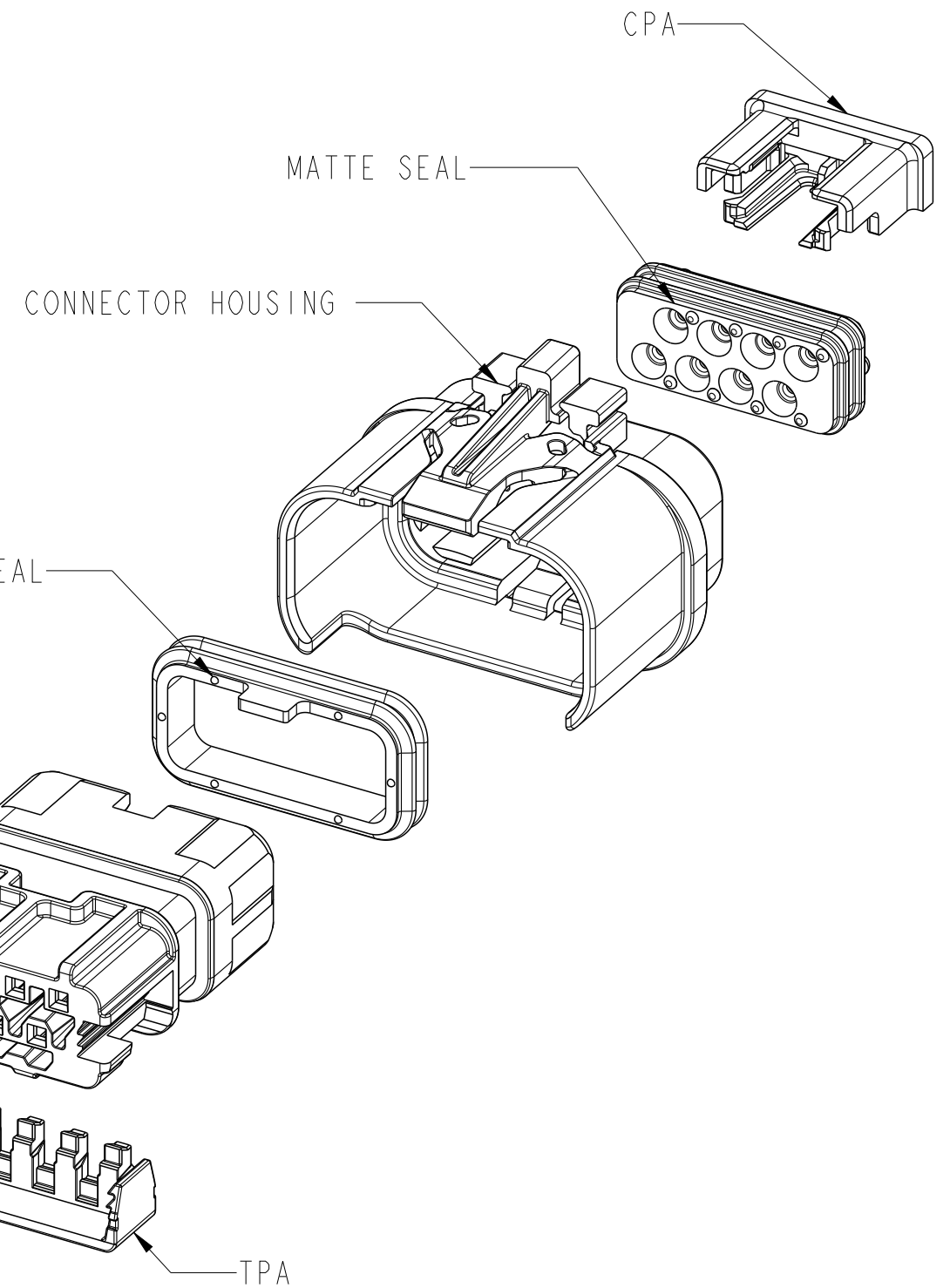
FOR 04 & 05POS



FOR 06 TO 10POS

spec ref	GS-12-1634			dr	Soman-adm, Shi	2020/06/03	projection 	mm 	size	A3	scale	3:1
tolerance std	TOLERANCES UNLESS OTHERWISE SPECIFIED			eng	Hyppias, Arnau	2020/06/26			ecn no	-		
ISO 406 ISO 1101				chr	Detouillon, Da	2020/06/26			rel level	Released		
surface	linear	0.X	±0.3	Amphenol FCi	RECEPTACLE ASSEMBLY			dwg no	10155470	rev	A	
		0.XX	±0.10		MINITEK MicroSpaceXS SEALED							
ISO 1302	angular	0°	±2°		cat. no.	-	Product - Customer Drw					sheet 2 of 3

PART NUMBER	NO. OF POS	DIM "A"	DIM "B"	DIM "C"	DIM "D"
10155470-A002LF	02	12.12	2.4	1.10	N/A
10155470-A003LF	03	13.39	3.00	1.40	N/A
10155470-A004LF	04	14.66	4.00	2.40	0.80
10155470-A005LF	05	15.93	5.00	3.50	1.80
10155470-A006LF	06	17.20	6.26	N/A	N/A
10155470-A007LF	07	18.47	7.53	N/A	N/A
10155470-A008LF	08	19.74	8.80	N/A	N/A
10155470-A009LF	09	21.01	10.07	N/A	N/A
10155470-A010LF	10	22.28	11.34	N/A	N/A



spec ref	GS-12-1634	dr	Soman-adm, Shi	2020/06/03	projection	mm	size	A3	scale	5:1
tolerance std	ISO 406 ISO 1101	eng	Hyppias, Arnau	2020/06/26			ecn no	-	rel level	Released
surface	linear <input checked="" type="checkbox"/>	0.X	±0.3	Amphenol FCI			RECEPTACLE ASSEMBLY MINITEK MicroSpaceXS SEALED	dwg no 10155470	rev A	
		0.XX	±0.10							
ISO 1302	angular	0°	±2°	cat. no.	-	Product - Customer Drw	sheet 3 of 3			