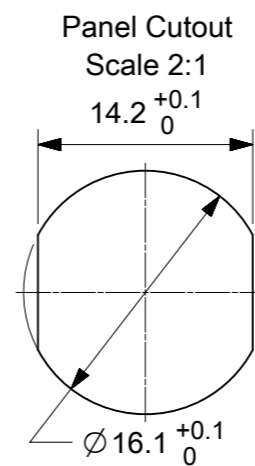
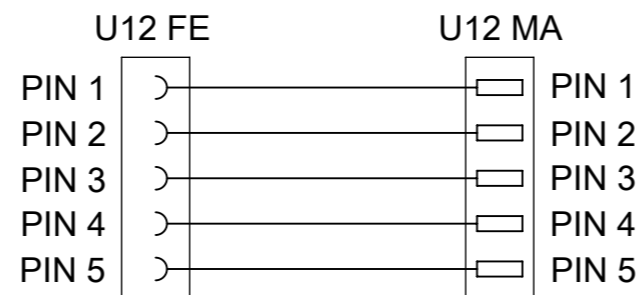
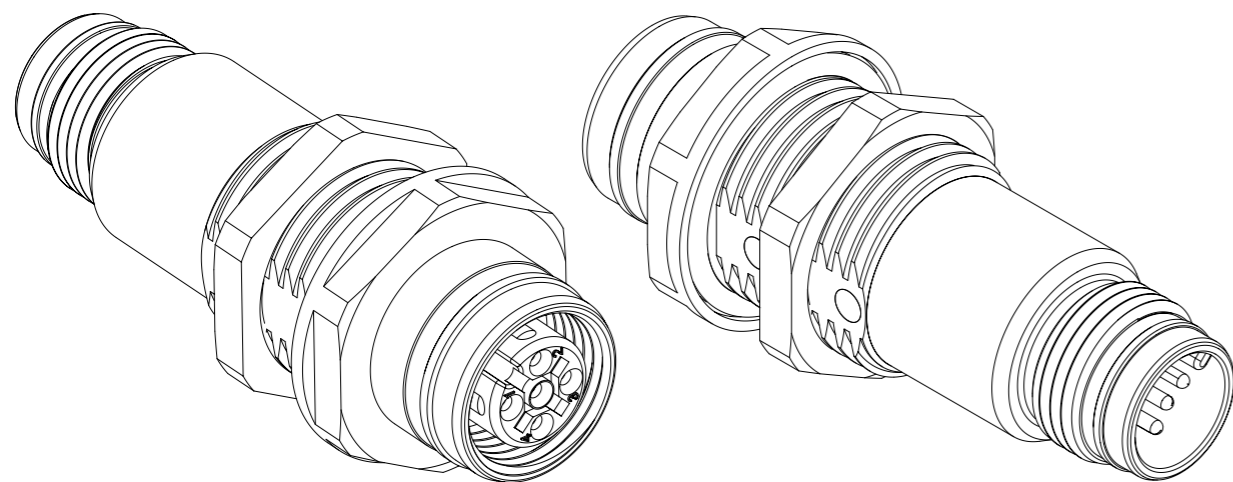


NOTES:
 CONTACT CURRENT RATING: 4A
 VOLTAGE RATING: 60V
 TEMPERATURE: -25°C / +85°C
 INTERNATIONAL PROTECTION: SIDE 1 - IP 67/68/69K
 SIDE 2 - IP65



ATLAS COPCO P/N (ENGINEERING P/N): 3176 0003 49

ITEM	QTY.	DESCRIPTION	MATERIAL	FINISH
11	-	HEAT-SHRINK;OD 2.4 DO 1.2	PE	NATURAL
10	5	CONTACT M12 MALE	BRASS	SELECTIVE Au OVER Ni
9	1	INSERT MALE 5P AC BLACK	PA	---
8	-	POTTING MATERIAL 2-CMPT	PUR-BASE	---
7	1	LOCKNUT SW19 M16x1.5	BRASS	NICKEL
6	1	ORING Ø16mm BLACK	EPDM	---
5	-	WIRE 0.35mm ²	PVC	---
4	1	ORING Ø7.1mm RED	FPM	---
3	1	INSERT FEMALE 5P AC BLACK	PUR	---
2	1	SHELL U12/M16/U12	BRASS	NICKEL
1	5	CONTACT M12 FEMALE	BRONZE	SELECTIVE Au OVER Ni
		ITEM QTY. DESCRIPTION	MATERIAL	FINISH



SCALE 2:1

SYMBOLS DIMENSION UNITS: mm SCALE: 3:1 GENERAL TOLERANCES (UNLESS SPECIFIED): ANGULAR TOL ± 1.0° 4 PLACES ± 3 PLACES ± 2 PLACES ± 0.05 1 PLACE ± 0.3 0 PLACES ± 0.5 DRAFT WHERE APPLICABLE MUST REMAIN WITHIN DIMENSIONS	THIS DRAWING CONTAINS INFORMATION THAT IS PROPRIETARY TO MOLEX ELECTRONIC TECHNOLOGIES, LLC AND SHOULD NOT BE USED WITHOUT WRITTEN PERMISSION		CURRENT REV DESC: EC NO: 627883 DRWN: MKOWALCZYK01 2020/02/18 CHK'D: DSTACHOWIAK 2020/02/19 APPR: DSTACHOWIAK 2020/02/19				
	DRWN: JMARSZALEK 2016/08/10 APPR: RSILLER 2016/08/29		THIRD ANGLE PROJECTION				
DOCUMENT NUMBER: 1200848168 DOC TYPE: PSD DOC PART: 000 REVISION: B		PRODUCT CUSTOMER DRAWING		SHEET NUMBER: 1 OF 1			