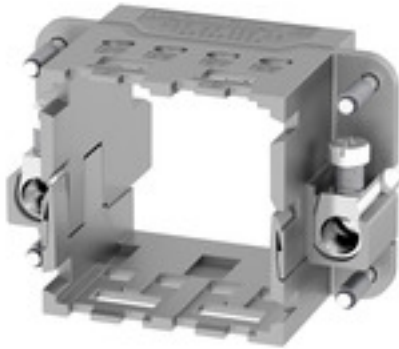


**ModuPlug
HDC MF 6B AB**

Weidmüller Interface GmbH & Co. KG
Klingenbergstraße 16
D-32758 Detmold
Germany
Fon: +49 5231 14-0
Fax: +49 5231 14-292083
www.weidmueller.com

**Simple**

The innovative sliding frame has two defined lock-in positions for opening and closing. This enables simple and tool-free module assembly.

General ordering data

Type	HDC MF 6B AB
Order No.	1428920000
Version	Frame
GTIN (EAN)	4050118233414
Qty.	1 pc(s).

Data sheet

**ModuPlug
HDC MF 6B AB**

Weidmüller Interface GmbH & Co. KG
 Klingenbergstraße 16
 D-32758 Detmold
 Germany
 Fon: +49 5231 14-0
 Fax: +49 5231 14-292083
 www.weidmueller.com

Technical data

Dimensions and weights

Width	51 mm	Width (inches)	2.008 inch
Height	36.4 mm	Height (inches)	1.433 inch
Depth	37.35 mm	Depth (inches)	1.47 inch
Net weight	63.441 g		

Temperatures

Limit temperature	-40 °C ... 125 °C
-------------------	-------------------

General data

Material	Diecast zinc	Number of slots	2
Plugging cycles	≥ 500	Series	ModuPlug
Size	3		

PE connection data

Conductor cross-section, max.	10 mm ²	Conductor cross-section, min.	0.5 mm ²
Connection type PE	Screw connection	Tightening torque, max. PE connection	1.2 Nm

Classifications

ETIM 5.0	EC002312	ETIM 6.0	EC002312
eClass 6.2	27-14-34-19	eClass 9.0	27-44-02-06
eClass 9.1	27-44-02-06		

Approvals

Approvals



ROHS	Conform
------	---------

Downloads

Brochure/Catalogue	CAT 3 HDC 17/18 EN FL FIELDWIRING EN
Engineering Data	EPLAN
Engineering Data	STEP

Data sheet**ModuPlug
HDC MF 6B AB**

Weidmüller Interface GmbH & Co. KG
Klingenbergstraße 16
D-32758 Detmold
Germany
Fon: +49 5231 14-0
Fax: +49 5231 14-292083
www.weidmueller.com

Drawings