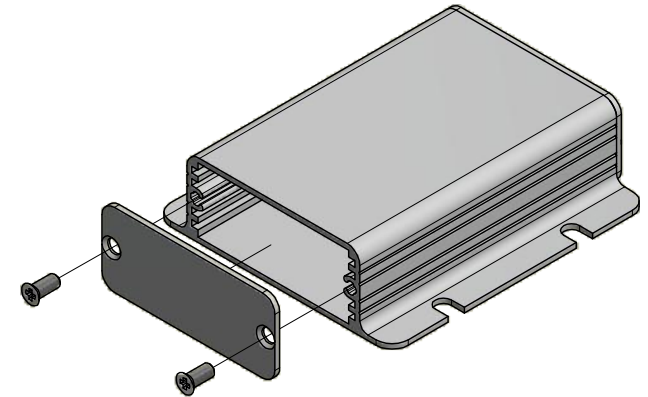
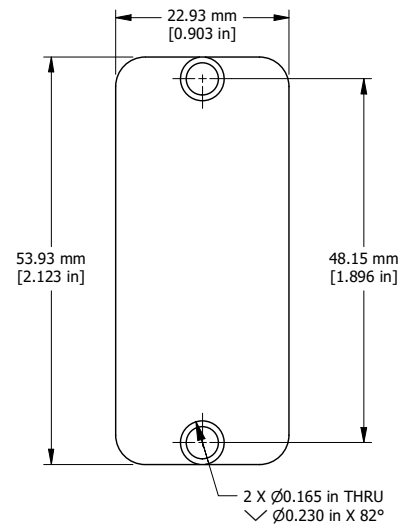


EXTRUSION



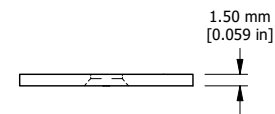
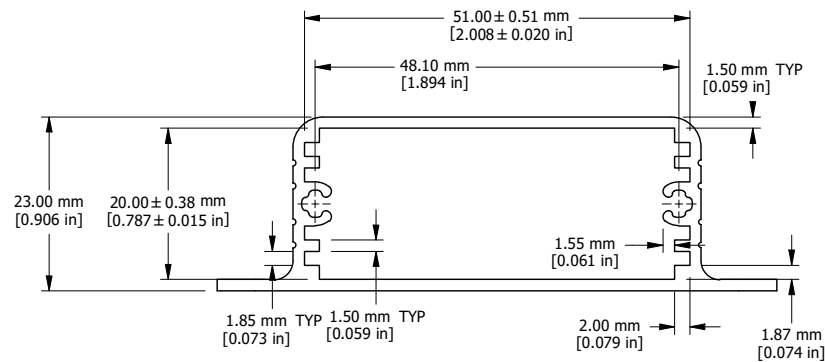
EXPLODED ASSEMBLY VIEW



END PLATE

****EXTRUSION DESIGN FOR
 50MM WIDE PC BOARD****

Enclosures can be Factory Modified (Milling, Drilling, Printing etc.)
 Solid models of this enclosure available in STEP or IGES.
 Contact Factory mjm@hammondmfg.com



NOTE

Purchased assembly includes box, end panels, #6 Taptight screws and self adhesive rubber feet
 Box made from Extruded Aluminum 6063.

1455CF801

PART NUMBERS

Clear Anodized	1455CF801
Black Anodized	1455CF801BK

ACCESSORIES

See website for accessories.



**HAMMOND
 MANUFACTURING™**

1455CF801

www.hammondmfg.com