

Crimp contact - SM-36KP007 - 1605752

Please be informed that the data shown in this PDF Document is generated from our Online Catalog. Please find the complete data in the user's documentation. Our General Terms of Use for Downloads are valid (<http://phoenixcontact.com/download>)



Crimp contact, turned, Single contact, contact diameter: 3.6 mm, crimp range: 6 mm² ... 10 mm²


The figure may differ depending on the connection area

Your advantages

- Crimping connection: vibration- and temperature-resistant assembly
- High tensile strength of the connection
- Low contact resistance
- Easy production monitoring



Key Commercial Data

| | |
|------------------------|---|
| Packing unit | 20 pc |
| Minimum order quantity | 20 pc |
| GTIN |  4 046356 254601 |
| GTIN | 4046356254601 |

Technical data

General

| | |
|--|--|
| Contact type | turned |
| Contact diameter | 3.6 mm |
| Type of contact | Pin |
| Connection method | Crimp connection |
| Insertion/withdrawal cycles mechanical | 100 |
| Litz wire cross section min. | 6 mm ² |
| Litz wire cross section max. | 10 mm ² |
| Contact material | CuZn |
| Contact surface | Nickel-plated (Ni), with gold coating (Au) |

Environmental Product Compliance

Crimp contact - SM-36KP007 - 1605752

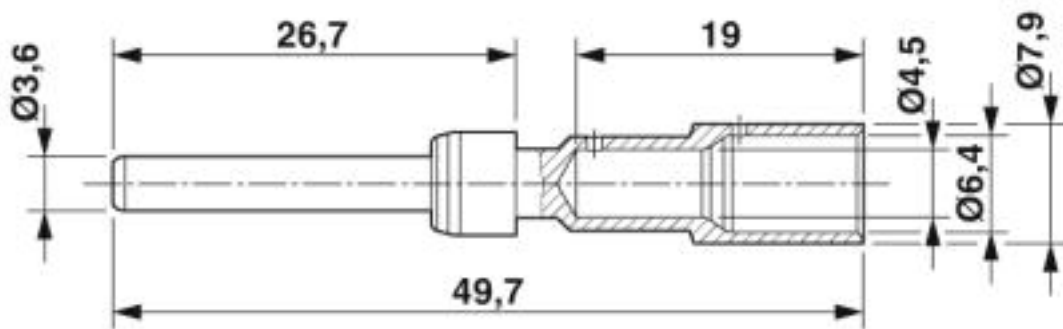
Technical data

Environmental Product Compliance

| | |
|------------|---|
| | Lead 7439-92-1 |
| China RoHS | Environmentally Friendly Use Period = 50 |
| | For details about hazardous substances go to tab "Downloads", Category "Manufacturer's declaration" |

Drawings

Dimensional drawing



Approvals

Approvals

Approvals

EAC

Ex Approvals

Approval details

| | | |
|-----|------------|---------|
| EAC | EAC | B.01742 |
|-----|------------|---------|

Phoenix Contact 2019 © - all rights reserved
<http://www.phoenixcontact.com>

PHOENIX CONTACT GmbH & Co. KG
Flachsmarktstr. 8
32825 Blomberg
Germany
Tel. +49 5235 300
Fax +49 5235 3 41200
<http://www.phoenixcontact.com>