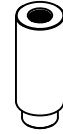
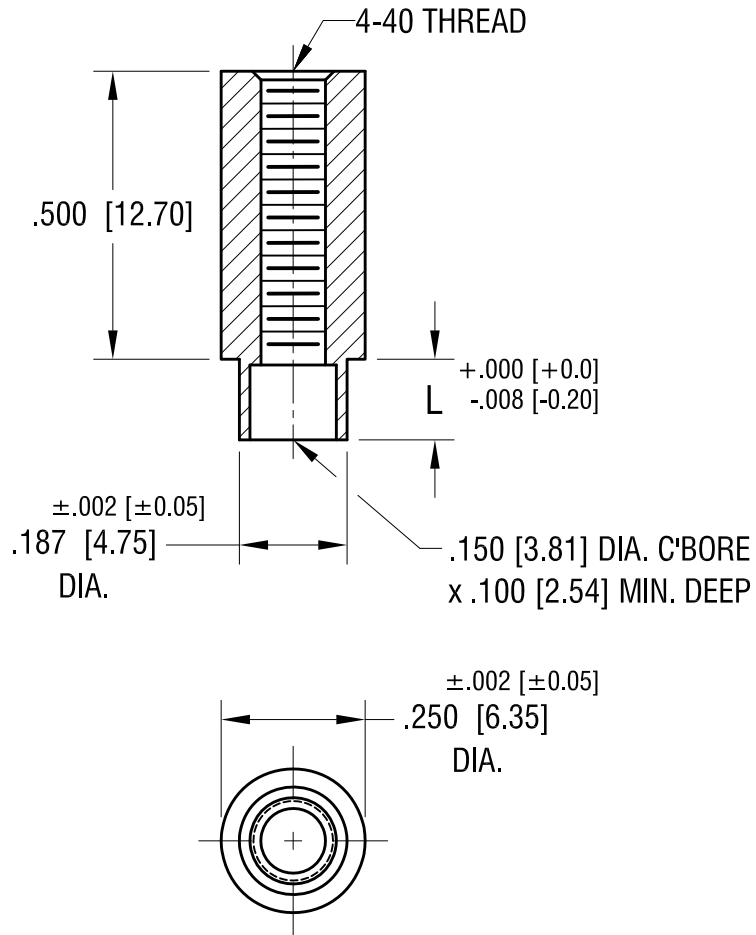


THIS DOCUMENT IS THE PROPERTY OF
KEYSTONE ELECTRONICS CORP. AND
SHALL NOT BE REPRODUCED, DISTRIBUTED
OR USED AS A BASIS FOR MANUFACTURE
WITHOUT PRIOR WRITTEN PERMISSION
FROM KEYSTONE ELECTRONICS CORP.

ACTUAL SIZE



P/N 1623-2



| PART NO. | 'L' DIM. |
|----------|-------------|
| 1623-2 | .109 [2.77] |
| 1623-3 | .140 [3.56] |

KEYSTONE ELECTRONICS CORP.

www.keyelco.com • NEW HYDE PARK NY 11040 • Tel (516)328-7500

| | | | |
|----------------------------|-----------------------|--------|---------|
| PART NAME | | | |
| SWAGE THREADED STANDOFF | | | |
| MATERIAL | | | |
| BRASS | | | |
| FINISH | | DRN BY | DATE |
| DUCTILE NICKEL PLATE | | BOONE | 5.13.02 |
| | | APP'D | SCALE |
| | | LN | 3X |
| TOLERANCES | INCH [MM] | CODE | DWG NO. |
| DECIMAL | $\pm .005 [\pm 0.13]$ | C | 1623- |
| ANGULAR | $\pm 1^\circ$ | | |
| UNLESS OTHERWISE SPECIFIED | | | |

| | | |
|----------|--------------------------|------|
| 11.22.21 | CHANGE AS PER ECN 12-163 | A |
| DATE | DESCRIPTION | REV. |