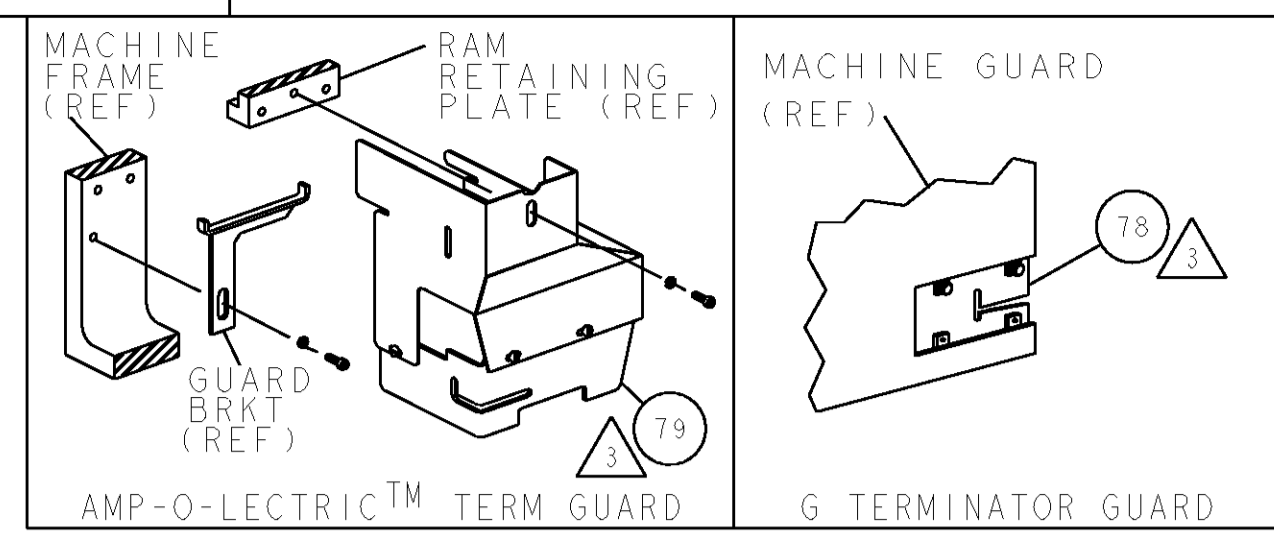


PART NUMBER	REV	FIRST USED	POWER UNIT	FEED TYPE
1855445-1	A	122500-1	LEADMAKER & BENCH MODEL G	POST FEED
1855445-2	A	565435-5	BENCH MODEL K	POST FEED
7-1855445-7	A	-	SPARE PARTS	-

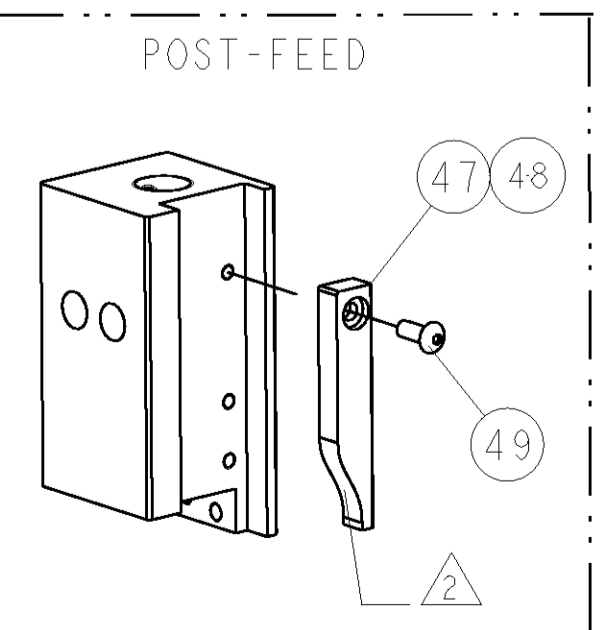
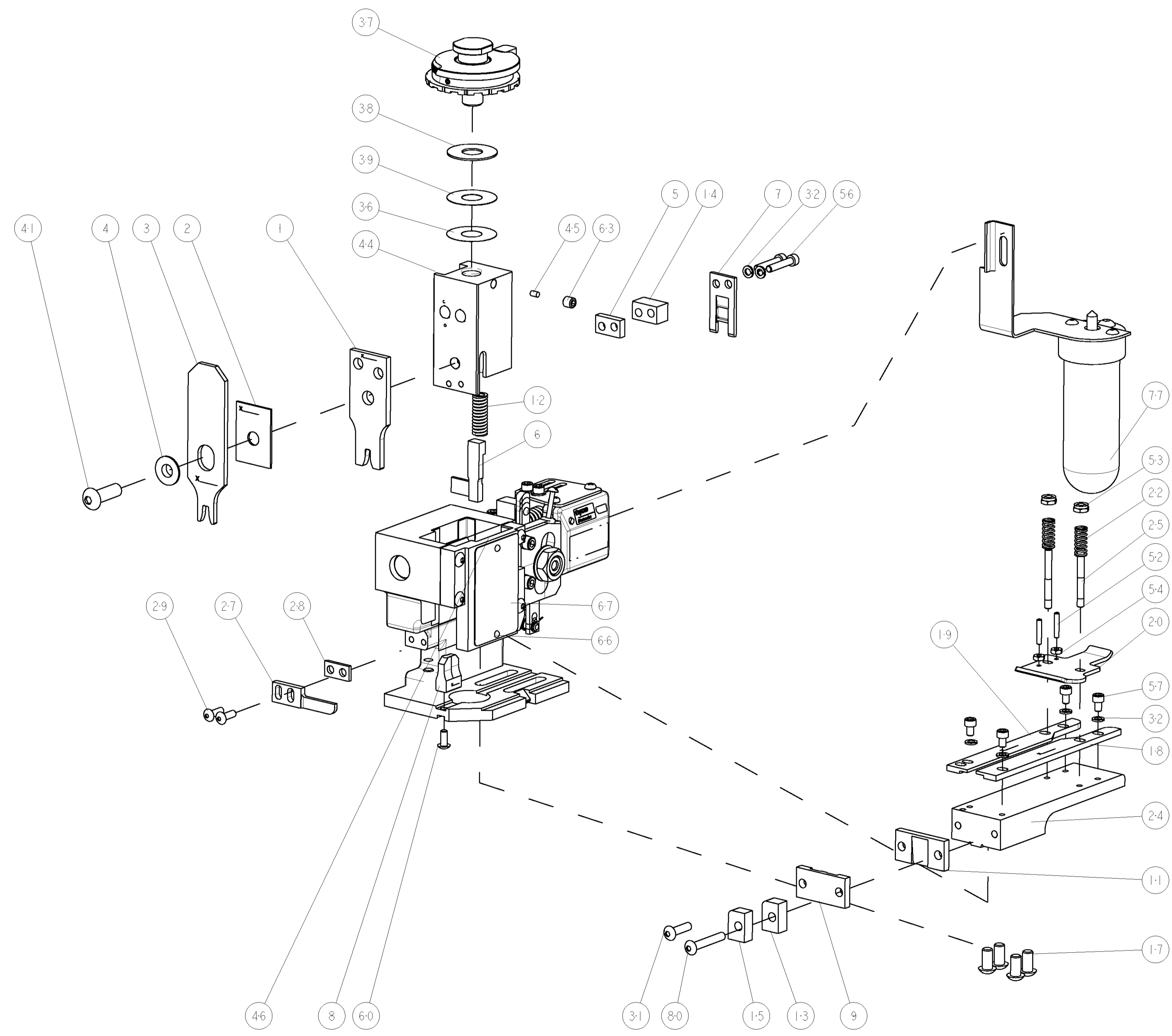


TERMINAL NAME: TERMINAL, RING					
TE PN	METALLON PN	METALLON TERMINAL - TE CRIMP SPECS		REF SETTING*	
1949824-1	8M-0537				
-	-	CRIMP HEIGHT	WIRE SIZE		
-	-	2.49±0.05mm [.098±.002]	14AWG or 2mm2	B4	
-	-	2.34±0.05mm [.092±.002]	16AWG or 1.25mm2	C6	
-	-	-	-	-	
-	-	-	-	-	
-	-	CRIMP	SIZE	TYPE	RANGE
-	-	WIRE	3.56mm [.140]	F	16-14 AWG
-	-	INSUL	4.70mm [.185]	F	∅2.35-3.94
WIRE STRIP LENGTH	TERM APPL SPEC	FEED	APPL INSTRUCTIONS	SET UP GAGE	
4.83mm-5.21mm	TYCO	1.291	408-8039	458638-1	

LOC	DIST	REVISIONS			
A	66	REV	DESCRIPTION	DATE	BY
		A	RELEASED	22DEC2008	BH

- △ RECOMMENDED SPARE PARTS
- △ GREASE LIGHTLY
- △ GUARD MUST BE IN PLACE WHEN OPERATING APPLICATOR IN A BENCH MACHINE

***WARNING:**
ON INSTALLATION, SET WIRE DISC TO LARGEST WIRE SIZE SETTING. USE OF SETTINGS BELOW MIN REQUIRED CRIMP HEIGHT SETTING WILL CAUSE DAMAGE TO CRIMP TOOLING.



REV	DESCRIPTION	ITEM NO
-	9-21002-0 SCR, BTN SKT HD CAP 10-32 X 1.25	80
-	REF 455745-1 GUARD WINDOW	79
-	REF 679532-1 INSERT, GUARD	78
-	465184-9 LUBRICATOR ASSY	77
-	217238-1 GENERAL INSTRUCTION PKG	72
-	4088039 EF APPL INST 408-8039	71
-	461264-5 PLATE, IDENTIFICATION	67
-	21017-2 SCREW, DRIVE	66
-	21009-2 SCR, SET, SELF LOCKING 1/4-20 X .250	63
-	22733-8 SCR, BHSC, SELF-LOCKING, 8-32 X .375	60
-	2-21000-5 SCR, SKT HD CAP 8-32 X .250	57
-	3-21000-0 SCR, SKT HD CAP 8-32 X .875	56
-	21018-4 NUT, HEX, REG 4-40	54
-	21022-2 NUT, LOCK, HEX, TORQUE, 8-32	53
-	2-21006-6 SCR, SET, CUP POINT 4-40 X .625	52
-	1-21002-7 SCR, BTN SKT CAP 6-32 X .375	49
-	690501-3 CAM, POST FEED, 1 1/8	48
-	690501-4 CAM, POST-FEED 1 5/8	47
-	1-458980-1 SUB ASSY, APPLICATOR FRAME	46
-	690191-1 PLUG, NYLON	45
-	1-455674-3 RAM	44
-	7-21002-9 SCR, BTN SKT HD CAP 5/16-24 X 1.00	41
-	690125-1 SHIM SUB-ASSY	39
-	469367-7 SHIM	38
-	879103-2 FINE ADJUST HEAD ASSEMBLY	37
-	469367-2 SHIM	36
-	21024-4 WASHER, SPRG LOCK, REG NO 8	32
-	2-21002-9 SCR, BTN SKT HD CAP 10-32 X .750	31
-	2-21002-2 SCR, BTN SKT HD CAP 8-32 X .500	29
-	1-690451-1 SPACER, STRIPPER	28
-	240639-1 STRIPPER (MACHINING)	27
-	22354-8 STUD, THREADED	25
-	455678-1 PLATE, STRIP GUIDE	24
-	4-22281-1 SPRING, DRAG	22
-	454177-1 DRAG	20
-	2-458030-2 STRIP GUIDE, REAR	19
-	2-458031-2 STRIP GUIDE, FRONT	18
-	3-21002-3 SCR, BTN SKT HD CAP 1/4-20 X .500	17
-	1-690481-2 SPACER, HOLD DOWN	15
-	8-240641-3 SPACER	14
-	690481-1 SPACER, HOLD DOWN	13
-	23846-1 SPRING, DIE	12
-	240644-1 PLATE, REAR SHEAR	11
-	690482-4 PLATE, FRONT SHEAR	9
-	3-1633249-2 ANVIL, COMBINATION	8
-	690474-4 BLADE, SLUG	7
-	455892-3 HOLD DOWN, TERMINAL	6
-	240641-3 SPACER	5
-	238009-1 BLOCK, FL CRIMPER SPACER	4
-	2-1633471-4 CRIMPER, INSULATION F	3
-	1-455888-0 SPACER, CRIMPER	2
-	456411-9 CRIMPER, WIRE PREMIUM	1

REV	DESCRIPTION	ITEM NO
-77	-2	-1
U/M	PART NO	DESCRIPTION
		ITEM NO