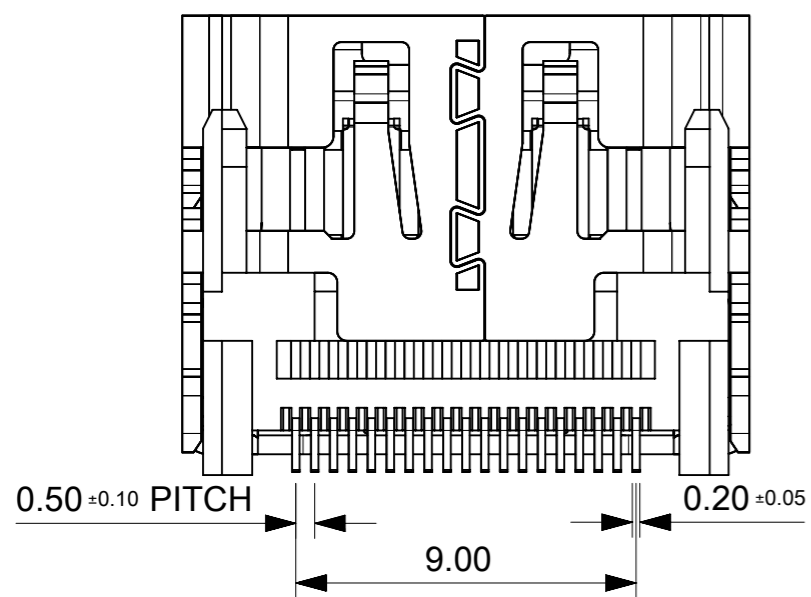
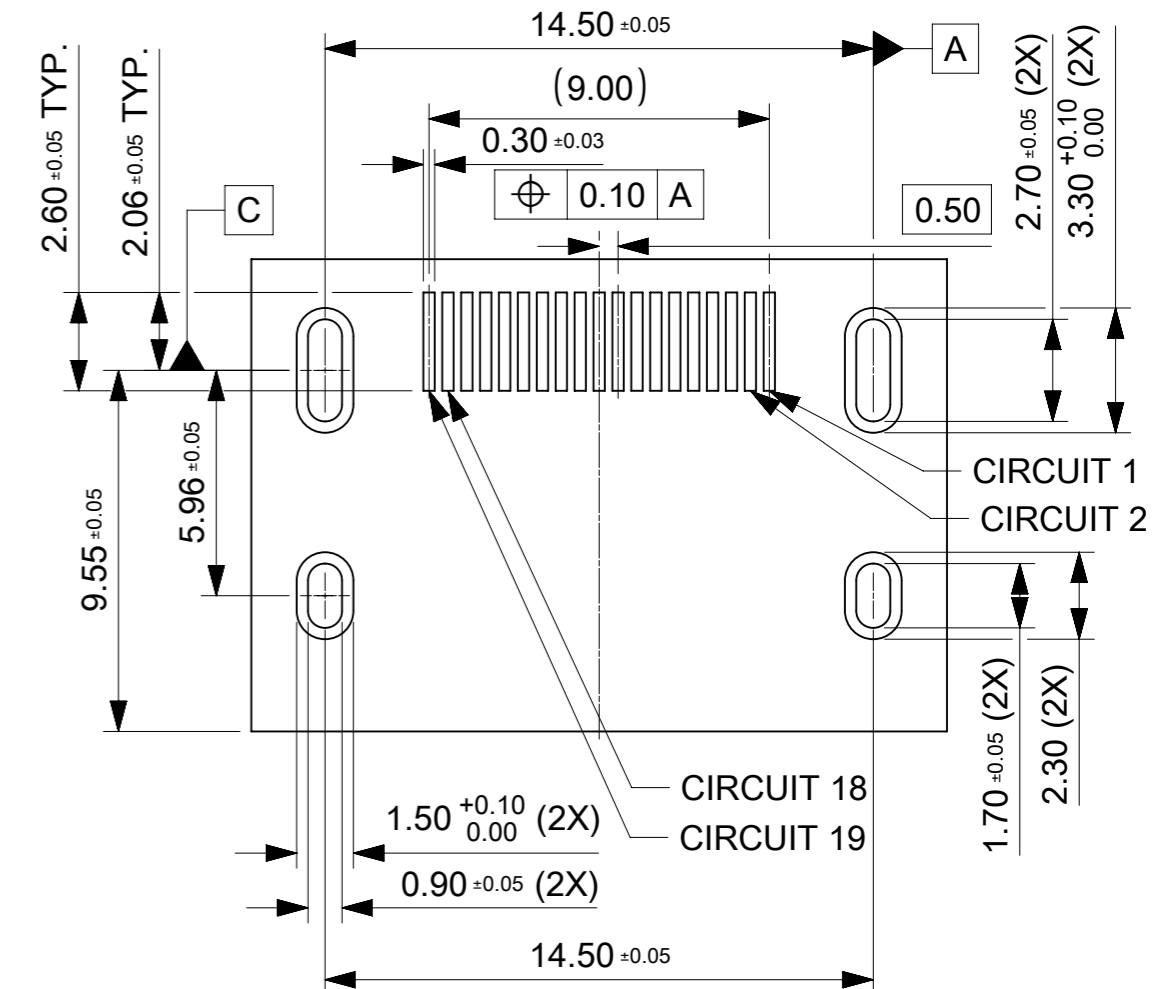
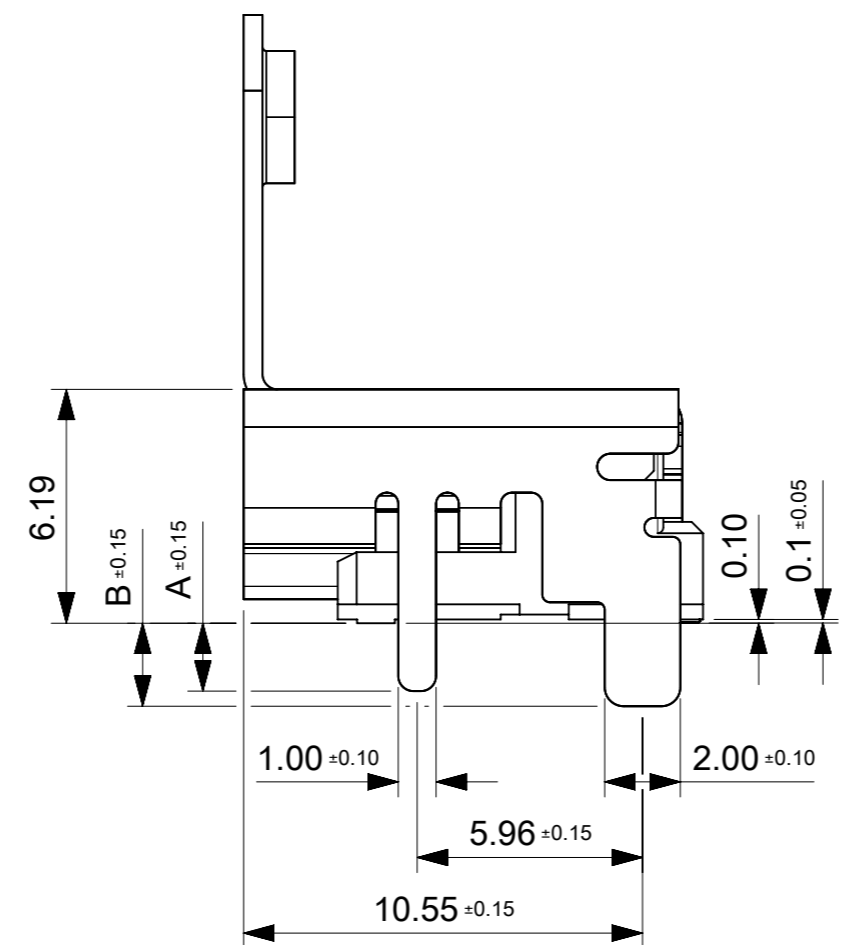
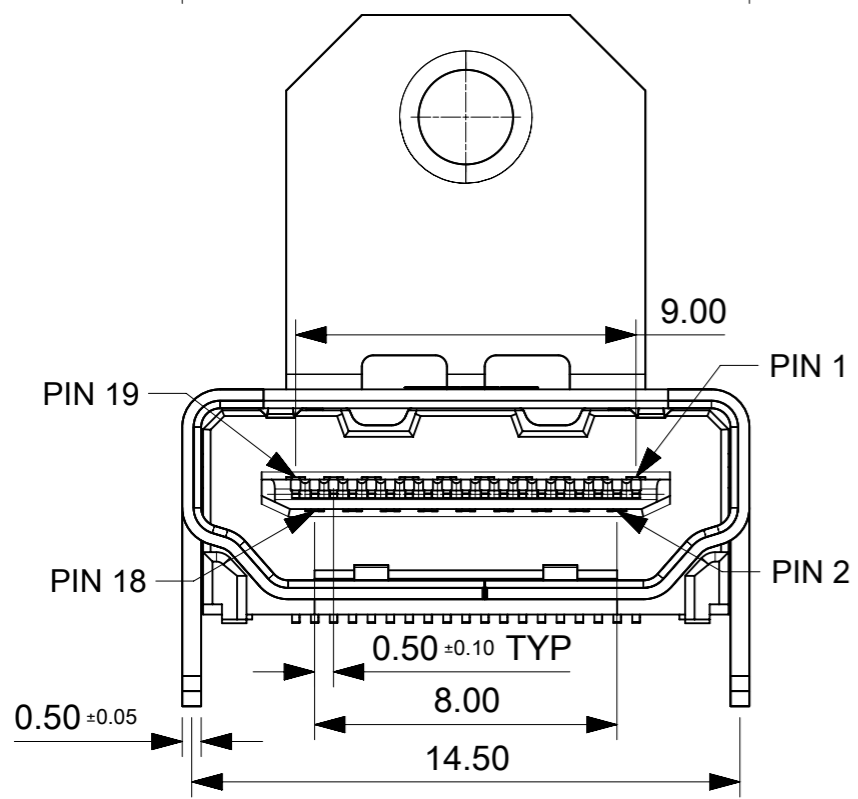
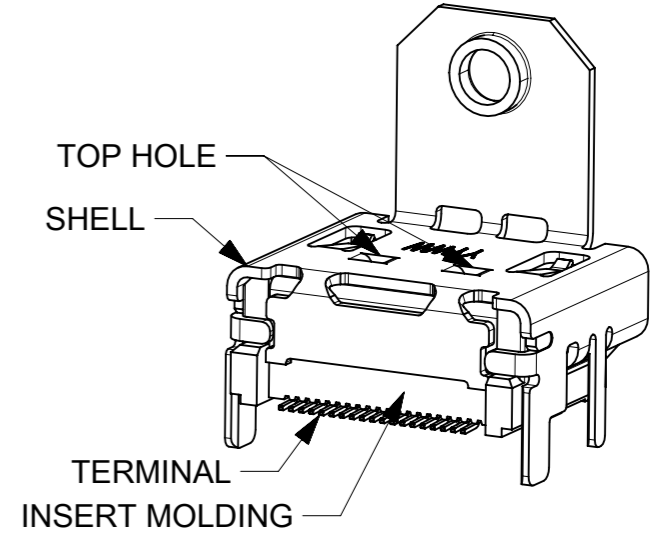


- NOTES:
1. MATERIAL:
HOUSING: LCP, COLOR: BLACK, UL94V-0.
SHELL: BRASS, ALLOY.
TERMINAL: BRASS, ALLOY.
 2. PLATING BE SEEN AT SHEET 2.
 3. COMPLANARITY OF SOLDER TAIL: 0.10mm MAX.
 4. DATE CODE: YY=YEAR, WW=WEEK.
 5. PRODUCT SPEC. REFER TO 2086580001(PS).
 6. PACKAGE SPEC. REFER TO PACKAGE DRAWING 2086589902.
 7. PLEASE CONTACT YOUR SALES REPRESENTATIVE IF INTENDED FOR AUTOMOTIVE.



RECOMMENDED PCB LAYOUT
CONNECTOR SIDE ONLY

THIS DRAWING CONTAINS INFORMATION THAT IS PROPRIETARY TO MOLEX ELECTRONIC TECHNOLOGIES, LLC AND SHOULD NOT BE USED WITHOUT WRITTEN PERMISSION		CURRENT REV DESC:		molex	
DIMENSION UNITS	SCALE				
mm	NTS			HDMI FOR INSERT-MOLD TYPE	
GENERAL TOLERANCES (UNLESS SPECIFIED)				PRODUCT CUSTOMER DRAWING	
ANGULAR TOL	± 3.0 °			DOCUMENT NUMBER	
4 PLACES	±	EC NO: 668949	2021/11/09	2086580001	
3 PLACES	± 0.25	DRWN: XQZHANG	2022/01/20	DOC TYPE	DOC PART
2 PLACES	± 0.25	CHK'D: AYIN	2022/01/20	PSD	SD
1 PLACE	± 0.25	APPR: AYIN	2022/01/20	REVISION	
0 PLACES	±	INITIAL REVISION:		C	
DRAFT WHERE APPLICABLE MUST REMAIN WITHIN DIMENSIONS		DRWN: JFAN18	2018/10/18	SHEET NUMBER	
THIRD ANGLE PROJECTION		APPR: XQZHANG	2019/01/11	SEE TABLE	GENERAL MARKET
DRAWING		SERIES	MATERIAL NUMBER	CUSTOMER	
A3-SIZE		208658	GENERAL MARKET	1 OF 2	

MOLEX P/N	DIMENSION		FEATURE				GOLD PLATING IN CONTACT AREA	SHELL MATERIAL
	DIM. A	DIM. B	FLANGE	BACK COVER	TOPE HOLES	MYLAR		
208658-1002	1.8	2.2	WITH	WITH	WITH	W/O	GOLD PLATING 0.76 MICROMETER	C2680
208658-1052							GOLD FLASH	
208658-1102	1.45	1.45					GOLD PLATING 0.76 MICROMETER	
208658-8121	2.2	2.2					GOLD PLATING 0.76 MICROMETER	

NOTES:

1. THE UNSPECIFIED DIMENSIONS SEE THE TABLE ABOVE.

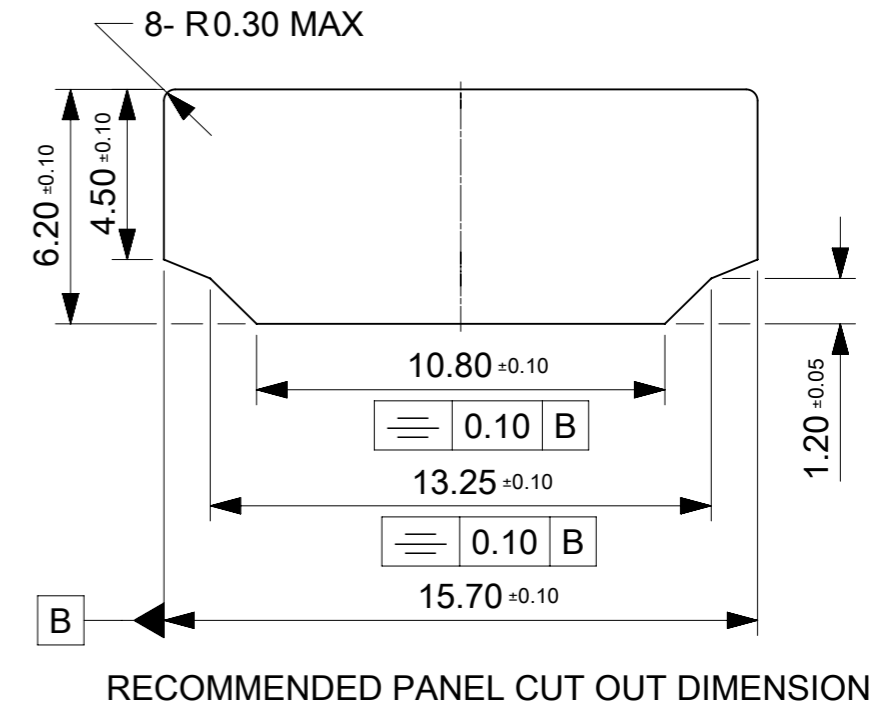
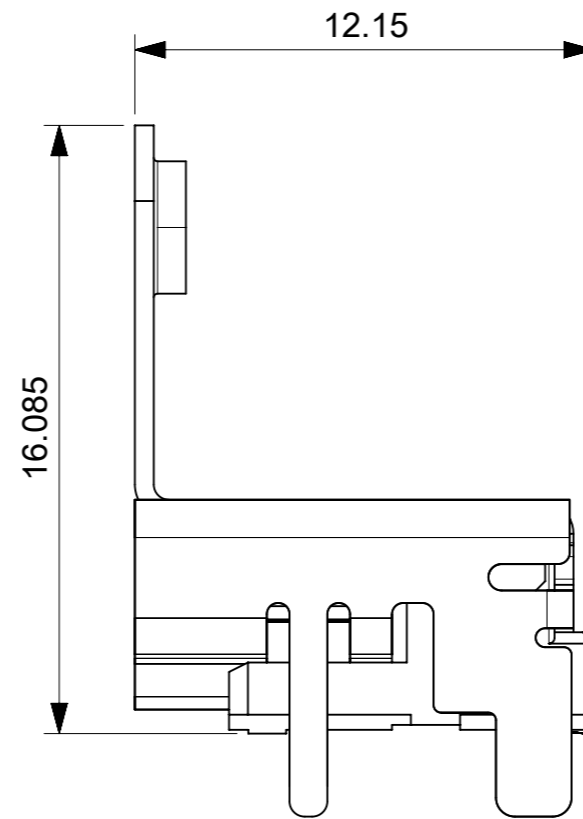
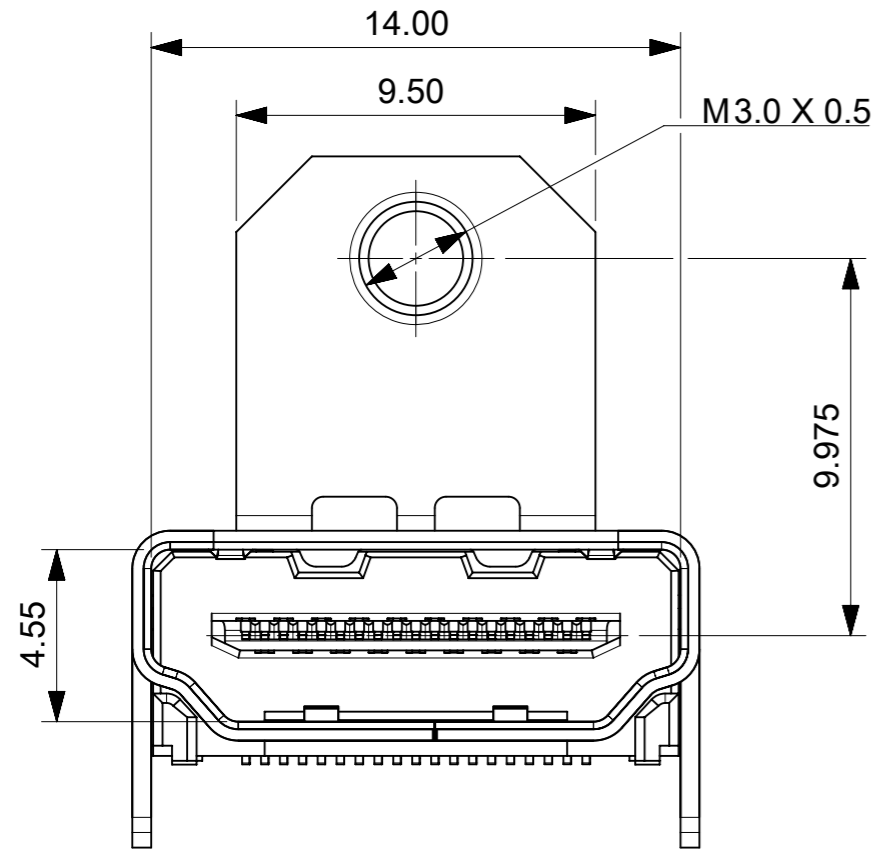
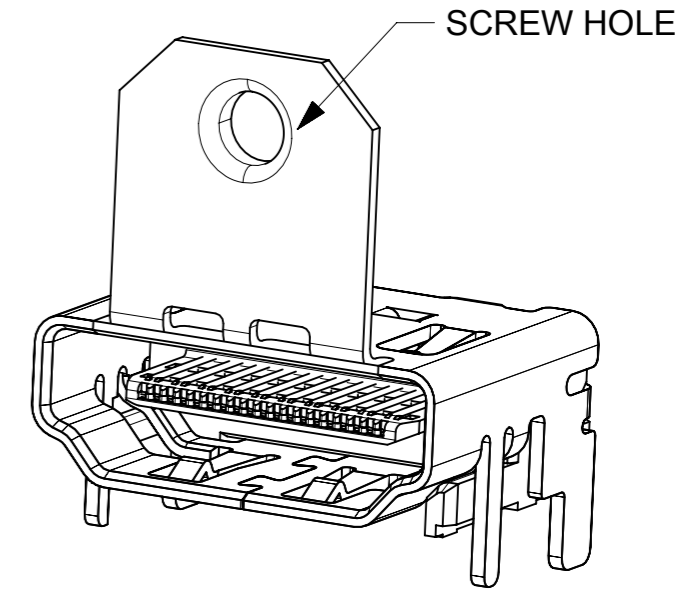
2. PLATING:

(1) TERMINAL:

CONTACT AREA BE SEEN TABLE AS ABOVE;
 SOLDER TAIL AREA GOLD FLASH PLATING.
 UNDER PLEATING: 1.27 MICROMETER MIN. NICKEL.

(2) SHELL:

1.25~3.75 MICROMETER SOLDERABLE NICKEL PLATING AT SOLDER TAIL AREA
 0.75 MICROMETER MIN. SOLDERABLE NICKEL PLATING AT OTHER AREA.



THIS DRAWING CONTAINS INFORMATION THAT IS PROPRIETARY TO MOLEX ELECTRONIC TECHNOLOGIES, LLC AND SHOULD NOT BE USED WITHOUT WRITTEN PERMISSION									
DIMENSION UNITS		SCALE		CURRENT REV DESC:				molex	
mm		NTS							
GENERAL TOLERANCES (UNLESS SPECIFIED)				EC NO: 668949				HDMI FOR INSERT-MOLD TYPE	
ANGULAR TOL ± 3.0 °				DRWN: XQZHANG 2021/11/09				PRODUCT CUSTOMER DRAWING	
4 PLACES ±				CHK'D: AYIN 2022/01/20				DOCUMENT NUMBER	
3 PLACES ± 0.25				APPR: AYIN 2022/01/20				2086580001	
2 PLACES ± 0.25				INITIAL REVISION:				DOC TYPE	
1 PLACE ± 0.25				DRWN: JFAN18 2018/10/18				PSD	
0 PLACES ±				APPR: XQZHANG 2019/01/11				SD	
DRAFT WHERE APPLICABLE MUST REMAIN WITHIN DIMENSIONS				THIRD ANGLE PROJECTION		DRAWING		SHEET NUMBER	
				A3-SIZE		SERIES		2 OF 2	
				208658		MATERIAL NUMBER		GENERAL MARKET	
				SEE TABLE		CUSTOMER			