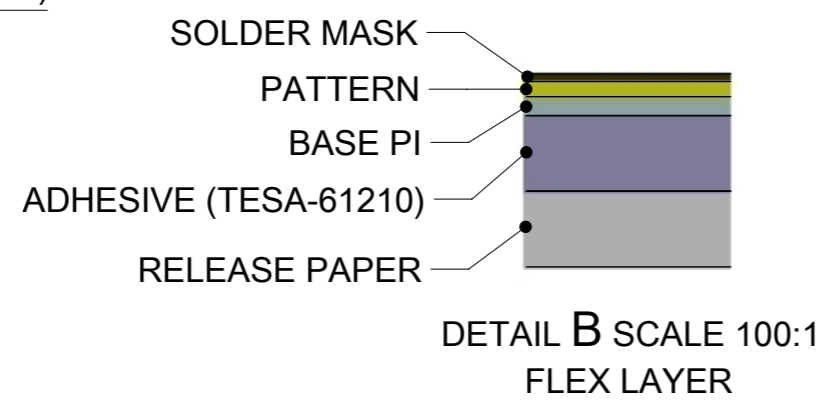
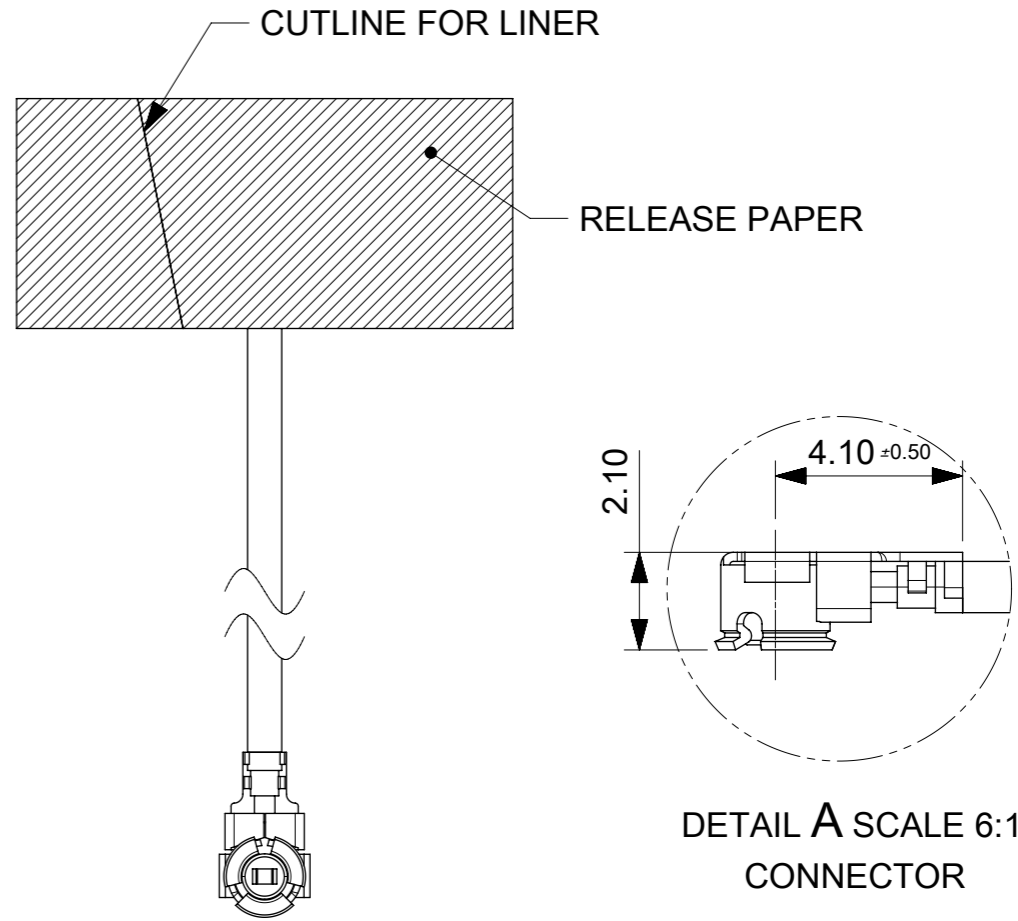
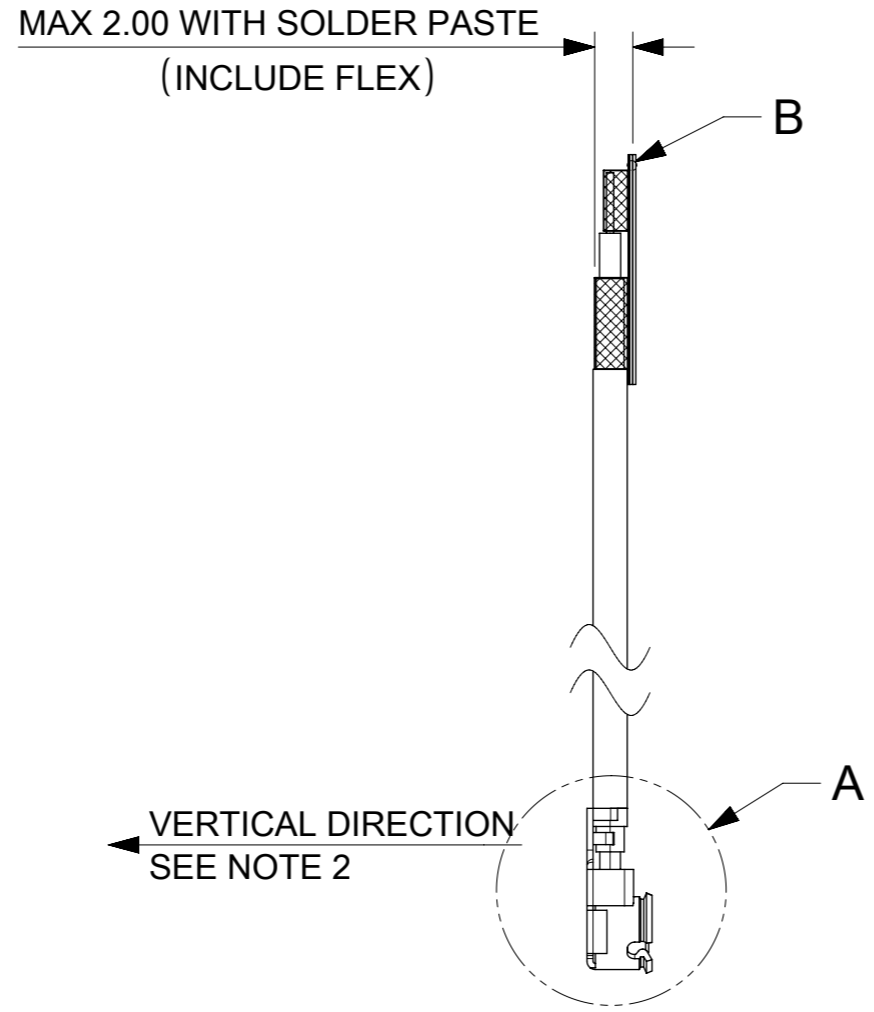
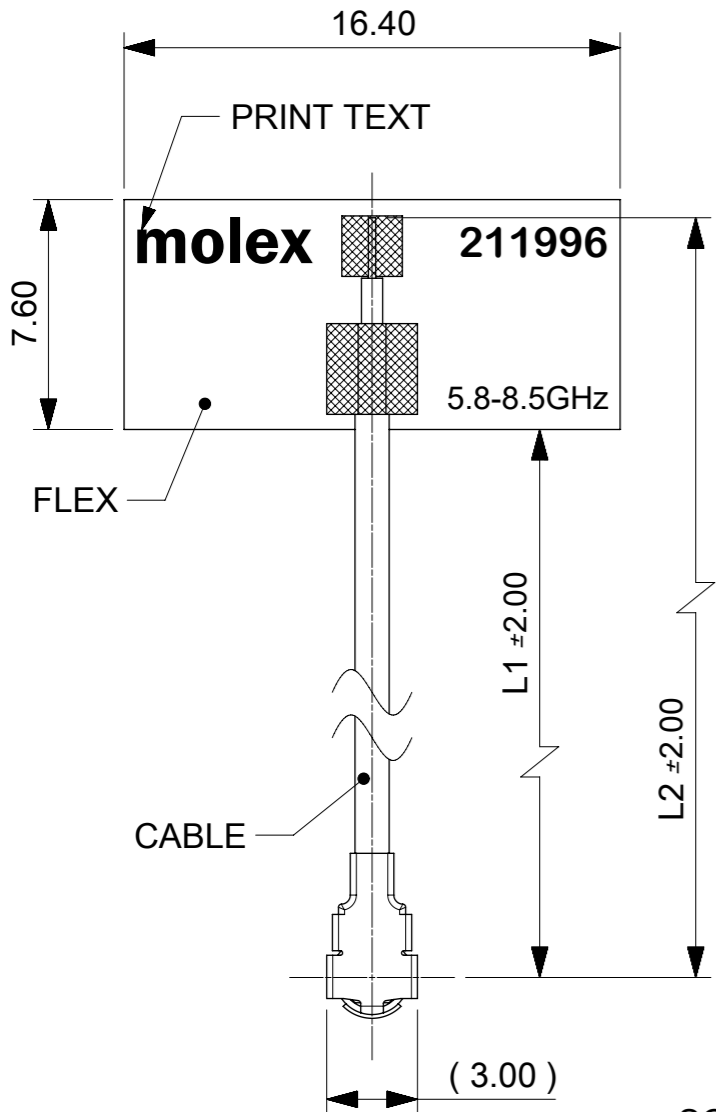


REV	DATE	CHANGE DESCRIPTION
A	2019/03/22	NEW RELEASE
B	2019/12/02	UPDATE PRINT TEXT (5.9 CHANGE OF 5.8-8.5)



ITEM	MATERIAL NO.	"L1"-LENGTH	"L2"-LENGTH
1	2119960050	43 mm	50 mm
2	2119960100	93 mm	100 mm
3	2119960150	143 mm	150 mm
4	2119960200	193 mm	200 mm
5	2119960250	243 mm	250 mm
6	2119960300	293 mm	300 mm

- NOTES:
- MATERIAL:FLEX SIZE 16.4*7.6 mm
CABLE:Ø1.13 mm
CONNECTOR:OD1.13 RF 2.5H U.FL CONNECTOR-PLUG GOLD PLATED (IPEX MHF-I COMPATIBLE)
 - FOR PULL TEST, CAN NOT LIFT UP IN THE VERTICAL DIRECTION.
 - SOLDER MASK COLOR:BLACK.
 - PRINT TEXT COLOR:WHITE.
 - ADHESIVE MATERIAL:TESA-61210 100um.
 - THE CONNECTOR WILL BE PROTECTED WITH A CAP

SYMBOLS DIMENSION UNITS: mm SCALE: 2:1 GENERAL TOLERANCES (UNLESS SPECIFIED) ANGULAR TOL ± ° 4 PLACES ± 3 PLACES ± 0.2 2 PLACES ± 0.25 1 PLACE ± 0.3 0 PLACES ± 0.5 DRAFT WHERE APPLICABLE MUST REMAIN WITHIN DIMENSIONS	THIS DRAWING CONTAINS INFORMATION THAT IS PROPRIETARY TO MOLEX ELECTRONIC TECHNOLOGIES, LLC AND SHOULD NOT BE USED WITHOUT WRITTEN PERMISSION		CURRENT REV DESC: EC NO: 626809 DRWN: KCHENG06 2019/12/02 CHK'D: XJSONG 2019/12/09 APPR: XJSONG 2019/12/09			
	INITIAL REVISION: DRWN: KCHENG06 2019/03/22 APPR: XJSONG 2019/04/04		PRODUCT CUSTOMER DRAWING DOCUMENT NUMBER: 2119960100 DOC TYPE: PSD DOC PART: 000 REVISION: B			
THIRD ANGLE PROJECTION 		DRAWING: A3-SIZE	SERIES: 211996	MATERIAL NUMBER: 2119960100	CUSTOMER: GENERAL MARKET	SHEET NUMBER: 1 OF 1