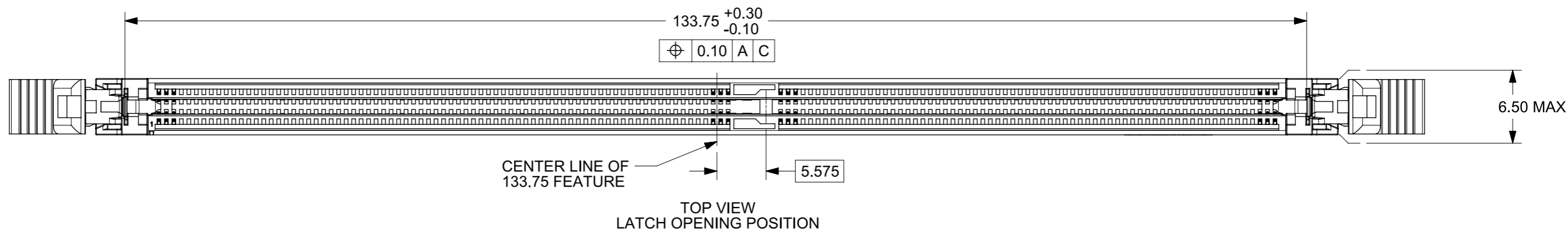


**NOTES:**

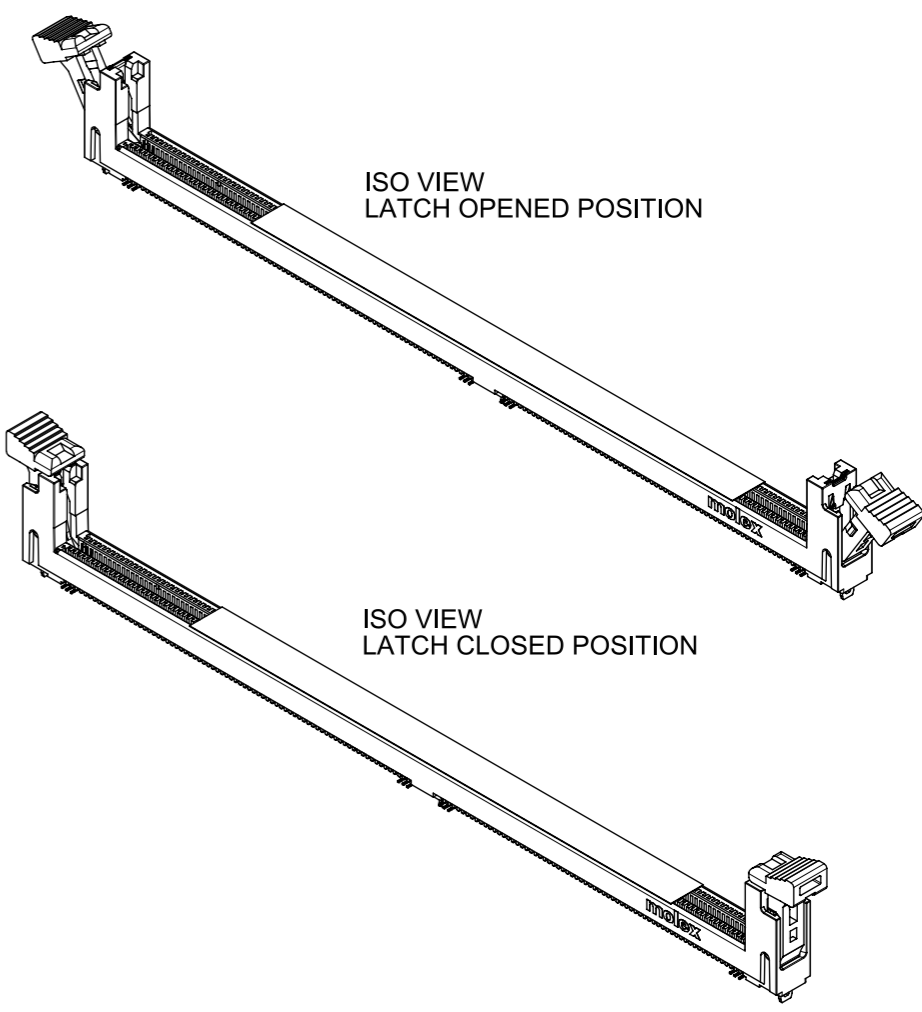
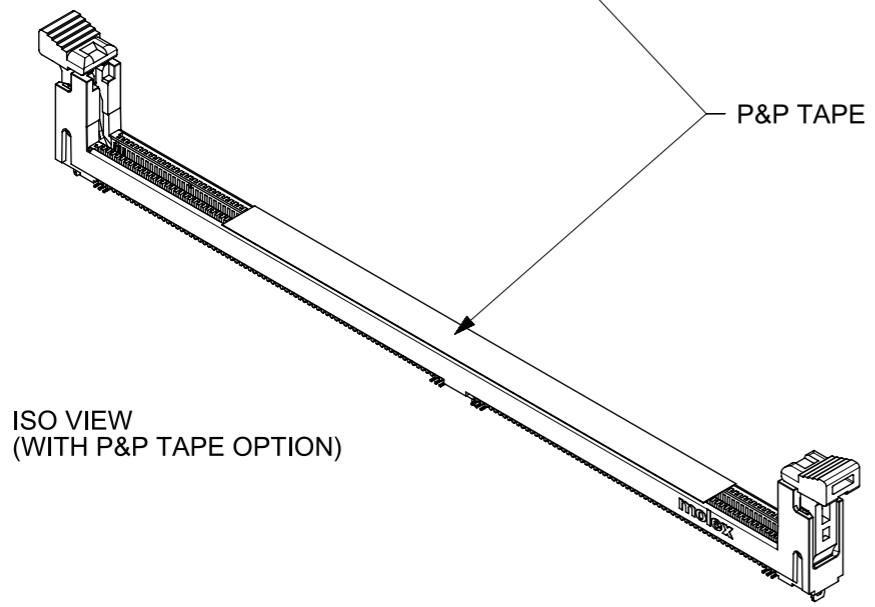
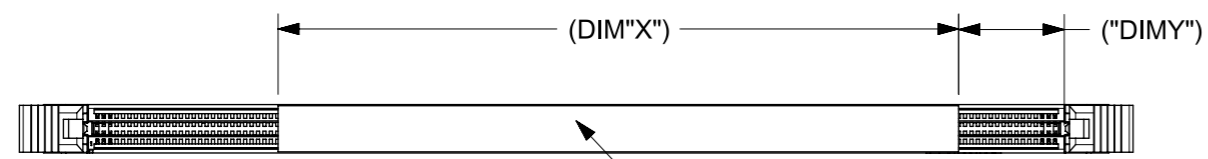
- MATERIAL : HOUSING - HALOGEN FREE HIGH TEMP POLYAMIDE, GLASS FILLED, UL94V-0.  
COLOUR : SEE TABLE ON SHEET 5.  
LATCH - HALOGEN FREE HIGH TEMP POLYAMIDE, GLASS FILLED, UL94V-0.  
COLOUR : SEE TABLE ON SHEET 5.  
TERMINAL : COPPER ALLOY.  
METALTAB: COPPER ALLOY.
- FINISHES - SEE TABLE ON SHEET 5.
- PRODUCT SPECIFICATION : SEE TABLE ON SHEET 5.
- PACKAGING SPECIFICATION: PRODUCT SHALL BE PACKED IN TRAY, SEE SHEET 5
- CARD SLOT ACCEPTS 1.40 $\pm$ 0.10MM MODULE THICKNESS (MEASURED OVER P.C. PADS).
- MOLEX LOGO, DATE & PART NO. INDICATED ON HOUSING.
- MODULE SEATING PLANE.
- KEEP OUT ZONE RESERVED FOR LATCH.
- KEEP OUT AREA IS THE AREA WHERE THE CONNECTOR (INCLUDES LATCHES IN OPENING POSITION) IS MOUNTED ON THE PCB.
- REFER TO AS-78730-001 FOR CONNECTOR APPLICATION GUIDELINE.
- REFER TO AS-78730-002 FOR PCB ROUTING RECOMMENDATIONS.

THIS DESIGN IS BASED ON DESIGN OBJECTIVES AND IS STRICTLY TENTATIVE. IT MAY CHANGE BASED ON RESULTS OF ADDITIONAL DESIGN REVIEWS AND VERIFICATIONS.

DIMENSION UNITS		SCALE		CURRENT REV DESC:				<b>molex</b>			
mm	NTS			EC NO: 674190				DDR4 DIMM, 0.85MM PITCH 288CKTS,VERT.SMT (TAB)			
GENERAL TOLERANCES (UNLESS SPECIFIED)				DRWN: CCHEN103 2021/07/20				PRODUCT CUSTOMER DRAWING			
ANGULAR TOL $\pm 3.0^\circ$				CHK'D: SHLENI 2021/08/31				DOCUMENT NUMBER			
4 PLACES $\pm$				APPR: SHLENI 2021/08/31				2128250001			
3 PLACES $\pm$				INITIAL REVISION:				DOC TYPE DOC PART REVISION			
2 PLACES $\pm 0.2$				DRWN: SKANG 2019/04/10				PSD 000 A5			
1 PLACE $\pm$				APPR: SHLENI 2019/04/24				SHEET NUMBER			
0 PLACES $\pm$				DRAFT WHERE APPLICABLE MUST REMAIN WITHIN DIMENSIONS				SEE TABLE			
THIRD ANGLE PROJECTION				DRAWING				CUSTOMER			
A3-SIZE				SERIES				GENERAL MARKET			
212825				MATERIAL NUMBER				1 OF 5			
				CUSTOMER							

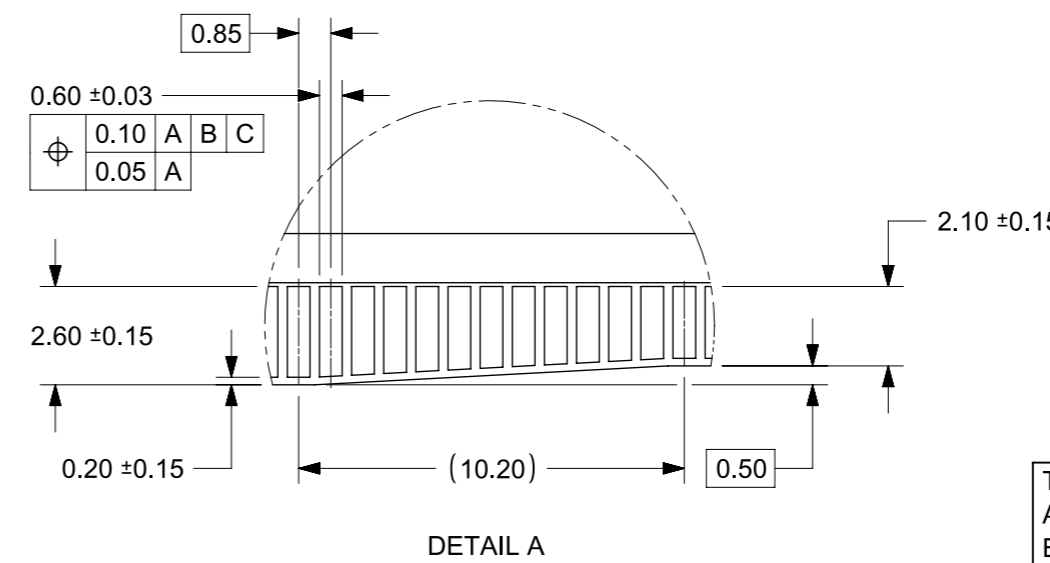
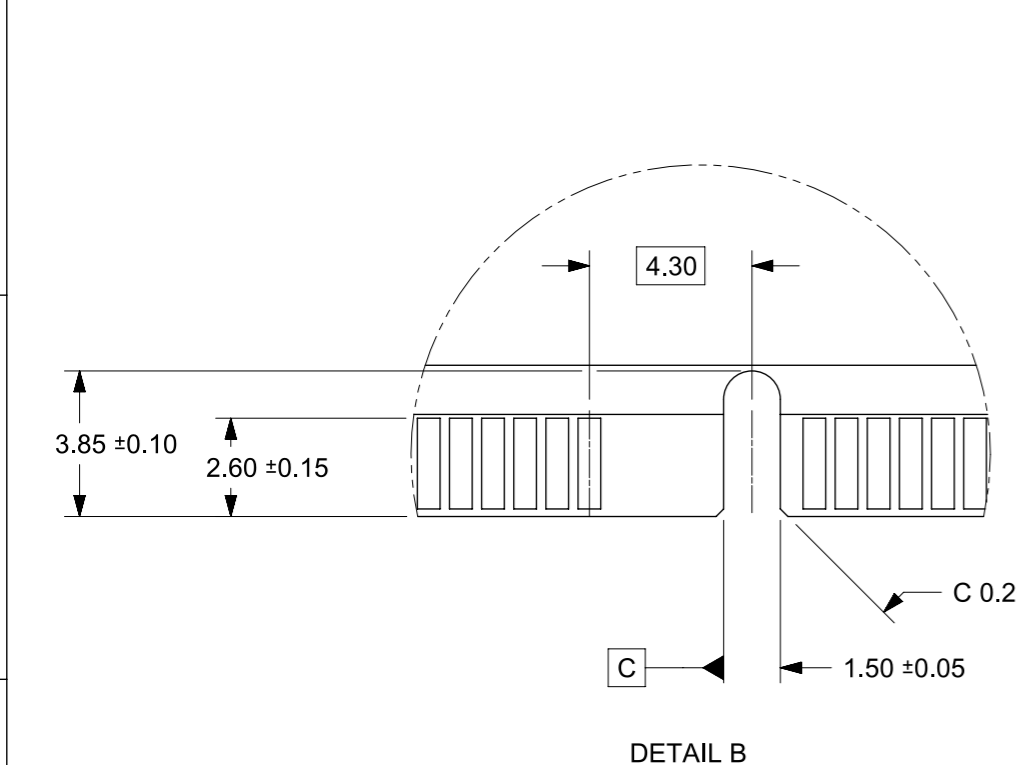
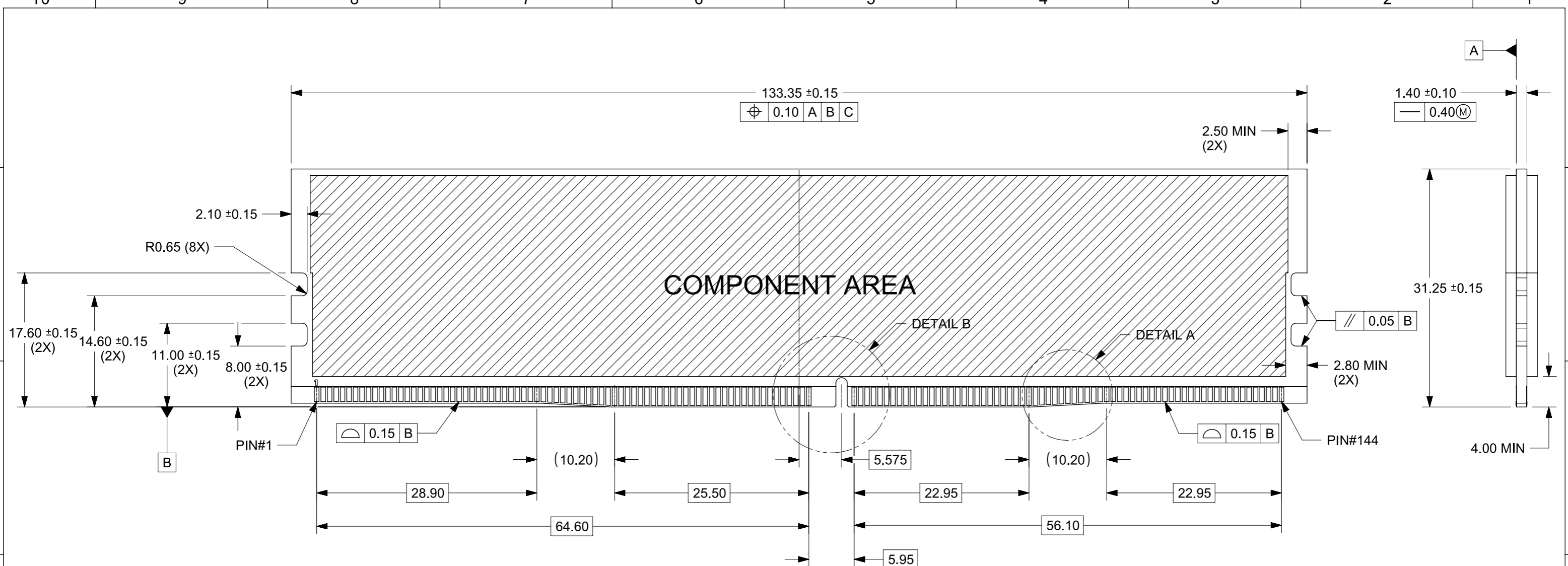


VIEWS WITH P&P TAPE OPTION



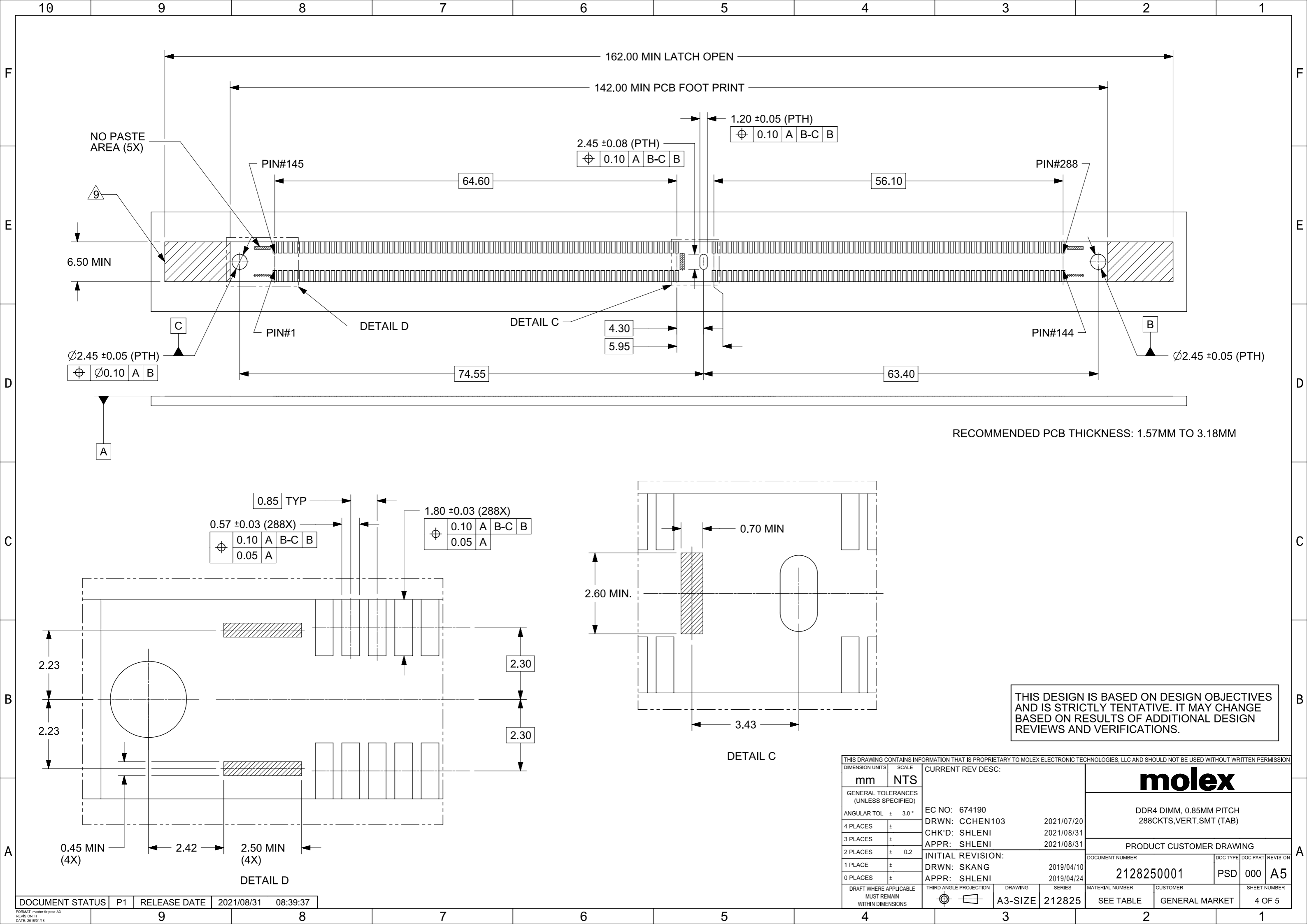
THIS DESIGN IS BASED ON DESIGN OBJECTIVES AND IS STRICTLY TENTATIVE. IT MAY CHANGE BASED ON RESULTS OF ADDITIONAL DESIGN REVIEWS AND VERIFICATIONS.

THIS DRAWING CONTAINS INFORMATION THAT IS PROPRIETARY TO MOLEX ELECTRONIC TECHNOLOGIES, LLC AND SHOULD NOT BE USED WITHOUT WRITTEN PERMISSION		CURRENT REV DESC:		<b>molex</b>	
DIMENSION UNITS	SCALE				
mm	NTS			DDR4 DIMM, 0.85MM PITCH 288CKTS, VERT. SMT (TAB)	
GENERAL TOLERANCES (UNLESS SPECIFIED)		EC NO: 674190		PRODUCT CUSTOMER DRAWING	
ANGULAR TOL	± 3.0 °	DRWN: CCHEN103	2021/07/20	DOCUMENT NUMBER	
4 PLACES	±	CHK'D: SHLENI	2021/08/31	2128250001	
3 PLACES	±	APPR: SHLENI	2021/08/31	DOC TYPE	DOC PART
2 PLACES	± 0.2	INITIAL REVISION:		PSD	000
1 PLACE	±	DRWN: SKANG	2019/04/10	REVISION	
0 PLACES	±	APPR: SHLENI	2019/04/24	A5	
DRAFT WHERE APPLICABLE MUST REMAIN WITHIN DIMENSIONS		THIRD ANGLE PROJECTION	DRAWING	SERIES	MATERIAL NUMBER
			A3-SIZE	212825	SEE TABLE
				CUSTOMER	SHEET NUMBER
				GENERAL MARKET	2 OF 5

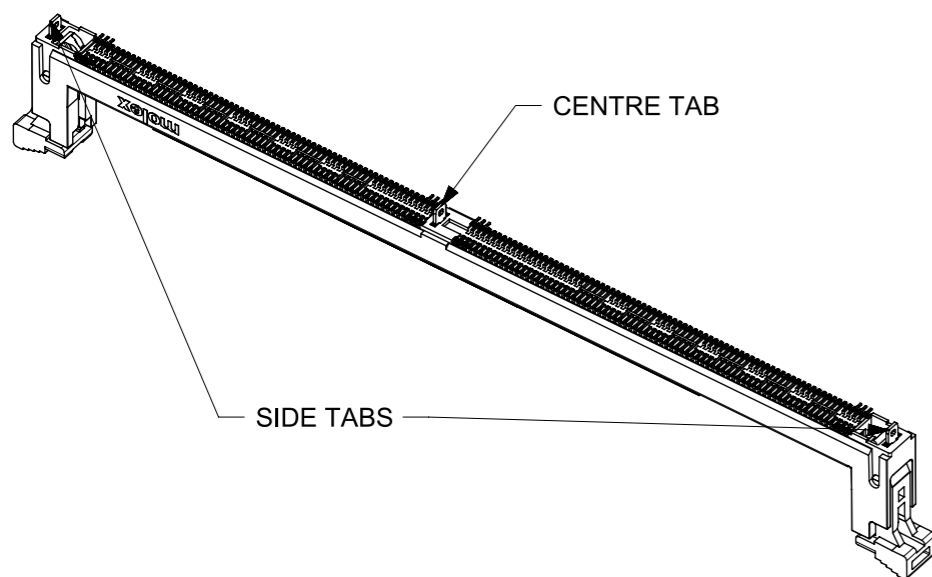


THIS DESIGN IS BASED ON DESIGN OBJECTIVES AND IS STRICTLY TENTATIVE. IT MAY CHANGE BASED ON RESULTS OF ADDITIONAL DESIGN REVIEWS AND VERIFICATIONS.

THIS DRAWING CONTAINS INFORMATION THAT IS PROPRIETARY TO MOLEX ELECTRONIC TECHNOLOGIES, LLC AND SHOULD NOT BE USED WITHOUT WRITTEN PERMISSION									
DIMENSION UNITS: mm		SCALE: NTS		CURRENT REV DESC:				<b>molex</b>	
GENERAL TOLERANCES (UNLESS SPECIFIED)		ANGULAR TOL ± 3.0°		EC NO: 674190					
4 PLACES ±		3 PLACES ±		DRWN: CCHEN103		2021/07/20		DDR4 DIMM, 0.85MM PITCH 288CKTS, VERT. SMT (TAB)	
2 PLACES ± 0.2		1 PLACE ±		CHK'D: SHLENI		2021/08/31		PRODUCT CUSTOMER DRAWING	
0 PLACES ±		DRAFT WHERE APPLICABLE MUST REMAIN WITHIN DIMENSIONS		APPR: SHLENI		2021/08/31		DOCUMENT NUMBER: 2128250001	
THIRD ANGLE PROJECTION		DRAWING: A3-SIZE		SERIES: 212825		MATERIAL NUMBER: SEE TABLE		CUSTOMER: GENERAL MARKET	
SHEET NUMBER: 3 OF 5		REVISION: A5		DOC PART: 000		DOC TYPE: PSD			



10	9	8	7	6	5	4	3	2	1		
										DIM"P"	DIM"Q"
CKT SIZE	ASSEMBLY PART NO.	HOUSING COLOUR	LATCH COLOUR	P&P OPTION	SIDE TAB	CENTRE TAB	TERMINAL	METAL TAB			
F	288	2128251502	BLACK	BLACK	NO	2.00	2.10	CONTACT AREA 0.76µM/30µIN MIN GOLD ON CONTACT  2.54µM/100µIN MIN NICKEL UNDERPLATE	1 MICROMETER (40 MICRORINCH) MIN TIN OVERALL (PRE-PLATED)	PS-78730-001	
		2128251503		OFF-WHITE							
		2128251504	OFF-WHITE	BLACK							
		2128251505		OFF-WHITE							
		2128251506	BLUE	BLACK							
		2128251507		OFF-WHITE							
		2128252502	BLACK	BLACK							YES (X=60mm, Y=28.97mm)
		2128252503		OFF-WHITE							
		2128252504	OFF-WHITE	BLACK							
		2128252505		OFF-WHITE							
2128252506	BLUE	BLACK									
2128252507		OFF-WHITE									
2128251652	BLACK	BLACK	NO								
2128251653		OFF-WHITE									
2128251654	OFF-WHITE	BLACK									
2128251655		OFF-WHITE									
2128251658	YELLOW	OFF-WHITE									
2128252652	BLACK	BLACK		YES (X=60mm, Y=28.97mm)							
2128252653		OFF-WHITE									
2128252654	OFF-WHITE	BLACK									
2128252655		OFF-WHITE									
(A5) 2128252656	BLUE	BLUE									
(A5) 2128252657	BLUE	OFF-WHITE									
2128252658	YELLOW	OFF-WHITE									
2128253652	BLACK	BLACK	YES (X=90mm, Y=19.54mm)								
2128253656	BLUE	BLUE									
2128253653	BLACK	OFF-WHITE									
2128253654	OFF-WHITE	BLACK									
2128253655		OFF-WHITE									
2128253657	BLUE	OFF-WHITE									
2128253658	YELLOW	OFF-WHITE									
2128253659	BLACK	YELLOW									
2128253660	BLUE	YELLOW									
D	288	2128252652		BLACK	BLACK	YES (X=60mm, Y=28.97mm)	2.00	2.10	CONTACT AREA 0.38µM/15µIN GOLD ON CONTACT  2.54µM/100µIN MIN NICKEL UNDERPLATE	1 MICROMETER (40 MICRORINCH) MIN TIN OVERALL (PRE-PLATED)	PS-78730-002
		2128252653	OFF-WHITE								
		2128252654	OFF-WHITE	BLACK							
		2128252655		OFF-WHITE							
		(A5) 2128252656	BLUE	BLUE							
		(A5) 2128252657	BLUE	OFF-WHITE							
		2128252658	YELLOW	OFF-WHITE							
		2128253652	BLACK	BLACK	YES (X=90mm, Y=19.54mm)						
		2128253656	BLUE	BLUE							
		2128253653	BLACK	OFF-WHITE							
2128253654	OFF-WHITE	BLACK									
2128253655		OFF-WHITE									
2128253657	BLUE	OFF-WHITE									
2128253658	YELLOW	OFF-WHITE									
2128253659	BLACK	YELLOW									
2128253660	BLUE	YELLOW									



THIS DESIGN IS BASED ON DESIGN OBJECTIVES AND IS STRICTLY TENTATIVE. IT MAY CHANGE BASED ON RESULTS OF ADDITIONAL DESIGN REVIEWS AND VERIFICATIONS.

THIS DRAWING CONTAINS INFORMATION THAT IS PROPRIETARY TO MOLEX ELECTRONIC TECHNOLOGIES, LLC AND SHOULD NOT BE USED WITHOUT WRITTEN PERMISSION									
DIMENSION UNITS		SCALE		CURRENT REV DESC:				<b>molex</b>	
mm		NTS							
GENERAL TOLERANCES (UNLESS SPECIFIED)				EC NO: 674190				DDR4 DIMM, 0.85MM PITCH	
ANGULAR TOL ± 3.0°				DRWN: CCHEN103 2021/07/20				288CKTS, VERT. SMT (TAB)	
4 PLACES ±				CHK'D: SHLENI 2021/08/31				PRODUCT CUSTOMER DRAWING	
3 PLACES ±				APPR: SHLENI 2021/08/31				DOCUMENT NUMBER	
2 PLACES ± 0.2				INITIAL REVISION:				2128250001	
1 PLACE ±				DRWN: SKANG 2019/04/10				DOC TYPE	
0 PLACES ±				APPR: SHLENI 2019/04/24				DOC PART	
DRAFT WHERE APPLICABLE MUST REMAIN WITHIN DIMENSIONS				THIRD ANGLE PROJECTION		DRAWING		REVISION	
				A3-SIZE		SERIES		A5	
				212825		MATERIAL NUMBER		SHEET NUMBER	
				SEE TABLE		CUSTOMER		5 OF 5	
				GENERAL MARKET					