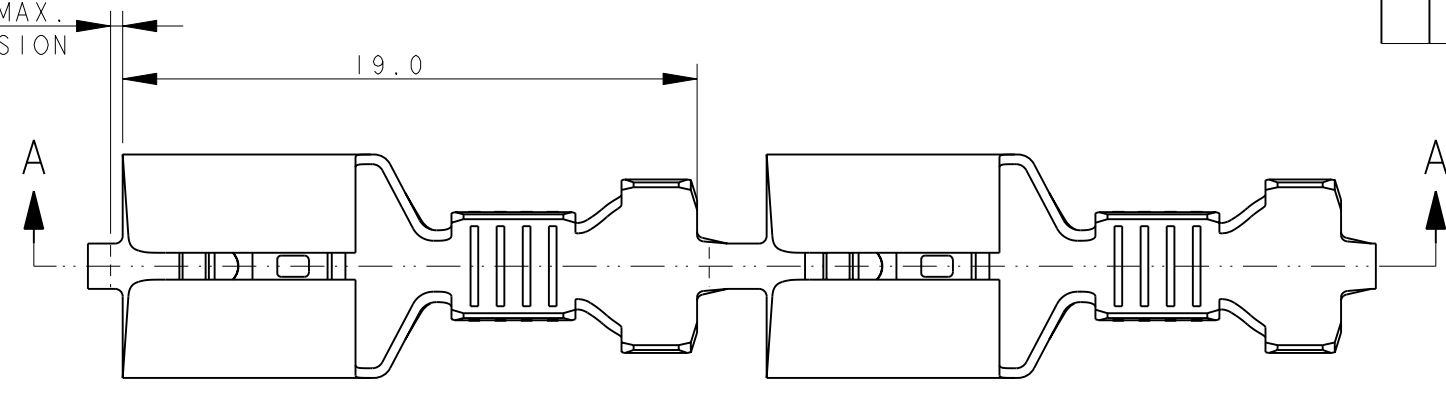


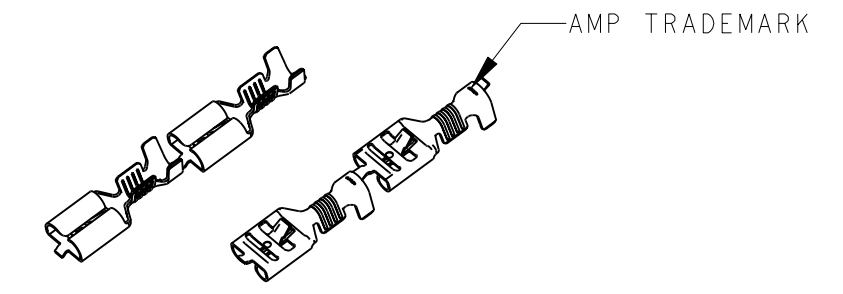
THIS DRAWING IS UNPUBLISHED. RELEASED FOR PUBLICATION 20
 © COPYRIGHT 20 BY TYCO ELECTRONICS CORPORATION. ALL RIGHTS RESERVED.

LOC	DIST	REVISIONS			
P	LTR	DESCRIPTION	DATE	DWN	APVD
	E1	REDRAWN	23AUG2006	HY	GT
	E2	REVISED PER ECO-09-026495	16DEC09	KK	AEG

0.4 MAX.
CUT-OFF DIMENSION

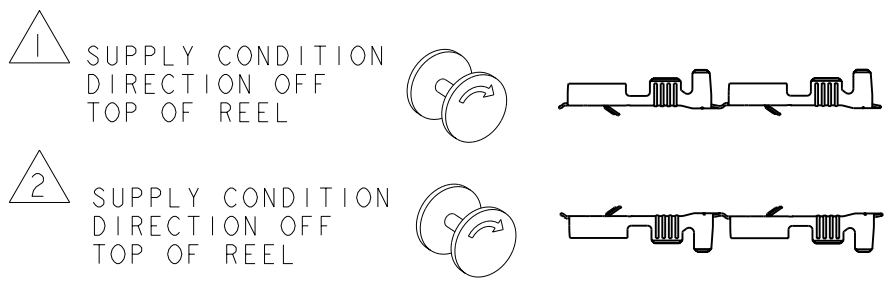
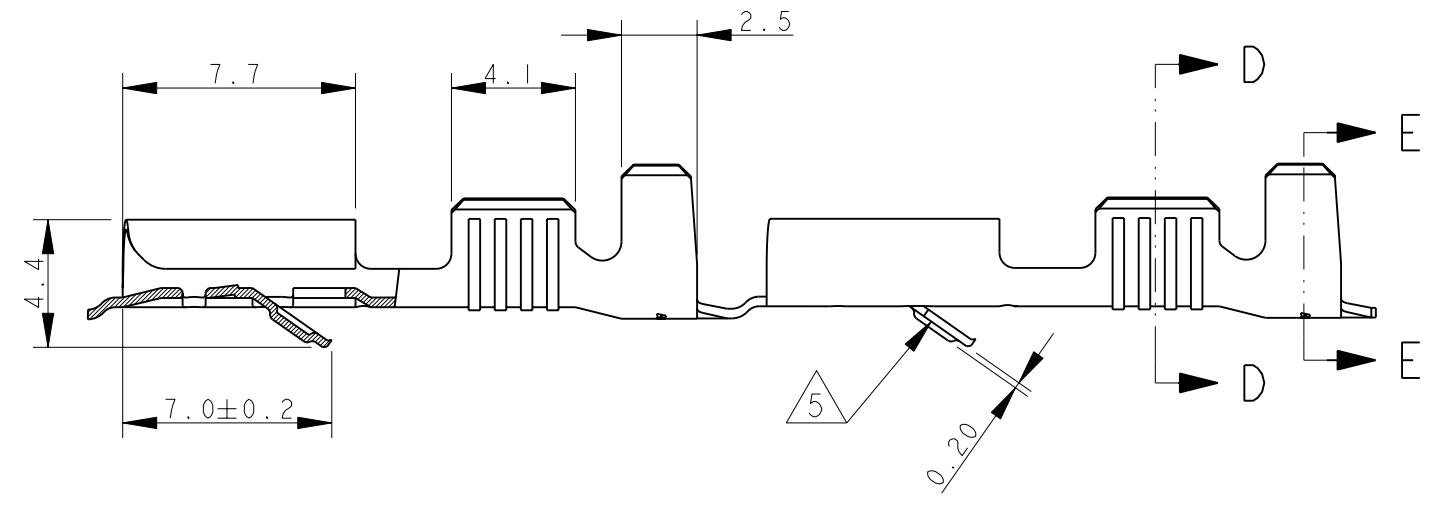
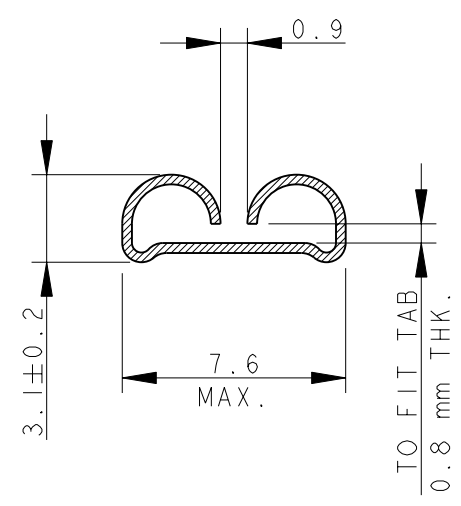
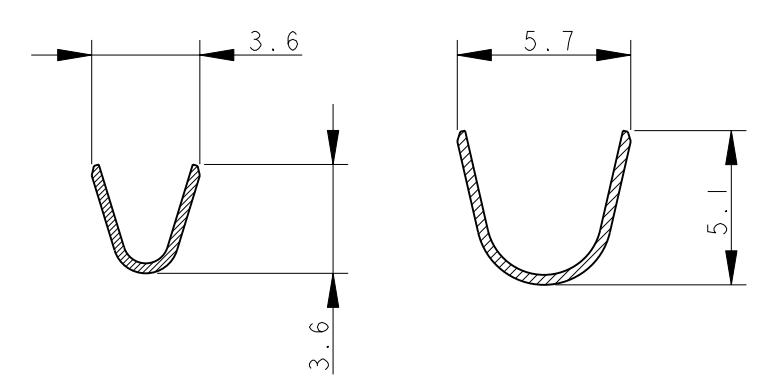


SECTION A - A



SECTION D - D

SECTION E - E



- 1) SUPPLY CONDITION DIRECTION OFF TOP OF REEL
- 2) SUPPLY CONDITION DIRECTION OFF TOP OF REEL
- 3) REELED ON 12" CARTON TYPE REEL WITH INTERLEAVE PAPER STRIP.
- 4) SUITABLE FOR HIGH EXTRACTION FORCE APPLICATION.
- 5) BEAT IN LOCKING LANCE
- 6) VERSION WITH DIMPLE
- 7) OBSOLETE PARTS: OBSOLETE CIS STREAMLINING PER D.RENAUD/D.SINISI

7 OBSOLETE	6	PRE-NICKEL	STEEL	0-284340-5	C
	4	PLAIN	BRASS	0-284340-4	C
		PRE-TINNED	BRASS	0-284340-3	D
	2	PRE-TINNED	BRASS	0-284340-2	E
	NOTE	FINISH	MATERIAL	TYCO P/N	REV

<small>THIS DRAWING IS A CONTROLLED DOCUMENT FOR TYCO ELECTRONICS CORPORATION IT IS SUBJECT TO CHANGE AND THE CONTROLLING ENGINEERING ORGANIZATION SHOULD BE CONTACTED FOR THE LATEST REVISION.</small>		DWN H. YAALI 23AUG2006 CHK H. YAALI 23AUG2006 APVD G. TURCO 23AUG2006		Tyco Electronics, C.so F.lli Cervi, 15 COLLEGNO (TO)	
DIMENSIONS: mm 		TOLERANCES UNLESS OTHERWISE SPECIFIED: 0 PLC ±0.3 1 PLC ±0.3 2 PLC ± 3 PLC ± 4 PLC ± ANGLES ±2°		NAME FASTIN-FASTON* Connector 6.3 mm sr. RECEPTACLE CONTACT	
MATERIAL SEE TABLE		FINISH SEE TABLE		PRODUCT SPEC 108-20020 APPLICATION SPEC 114-20021 WEIGHT -	
		CUSTOMER DRAWING		SIZE A300779 CAGE CODE C-284340 DRAWING NO RESTRICTED TO	
		SCALE 4:1		SHEET 1 OF 1 REV E2	