



OFF delay device, 110 V UC, for contactor relays and motor contactors 3RT2

General technical data		
product brand name		SIRIUS
product designation		opening delay device for contactor
size of contactor		S00, S0
design of the product		OFF delay device
ambient temperature		
• during storage	°C	-40 ... +80
• during operation	°C	-20 ... +60
touch protection against electrical shock		finger-safe
product component protective wiring		No
Control circuit/ Control		
type of voltage of the control supply voltage		AC/DC
control supply voltage frequency		
• 1		
— rated value	Hz	50
• 2 rated value	Hz	60
control supply voltage 1		
• at DC	V	110 ... 127
• at AC		
— at 50 Hz	V	110 ... 127
— at 60 Hz	V	127 ... 110
Installation/ mounting/ dimensions		
mounting position		any
fastening method		screw and snap-on mounting onto 35 mm standard mounting rail
Connections/ Terminals		
type of electrical connection for auxiliary and control circuit		screw-type terminals
Certificates/ approvals		
General Product Approval	EMC	Declaration of Conformity



[Miscellaneous](#)

Test Certificates	Shipping Approval	other
-------------------	-------------------	-------

Further information

Information- and Downloadcenter (Catalogs, Brochures,...)

<https://www.siemens.com/ic10>

Industry Mall (Online ordering system)

<https://mall.industry.siemens.com/mall/en/en/Catalog/product?mlfb=3RT2916-2BK01>

Cax online generator

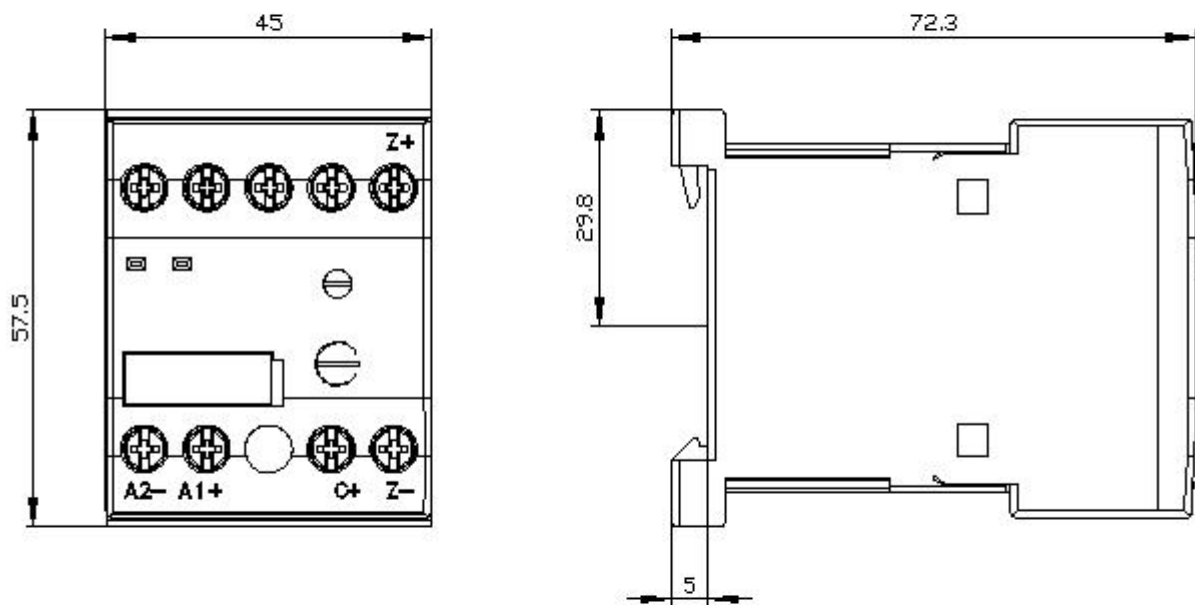
<http://support.automation.siemens.com/WW/CAXorder/default.aspx?lang=en&mlfb=3RT2916-2BK01>

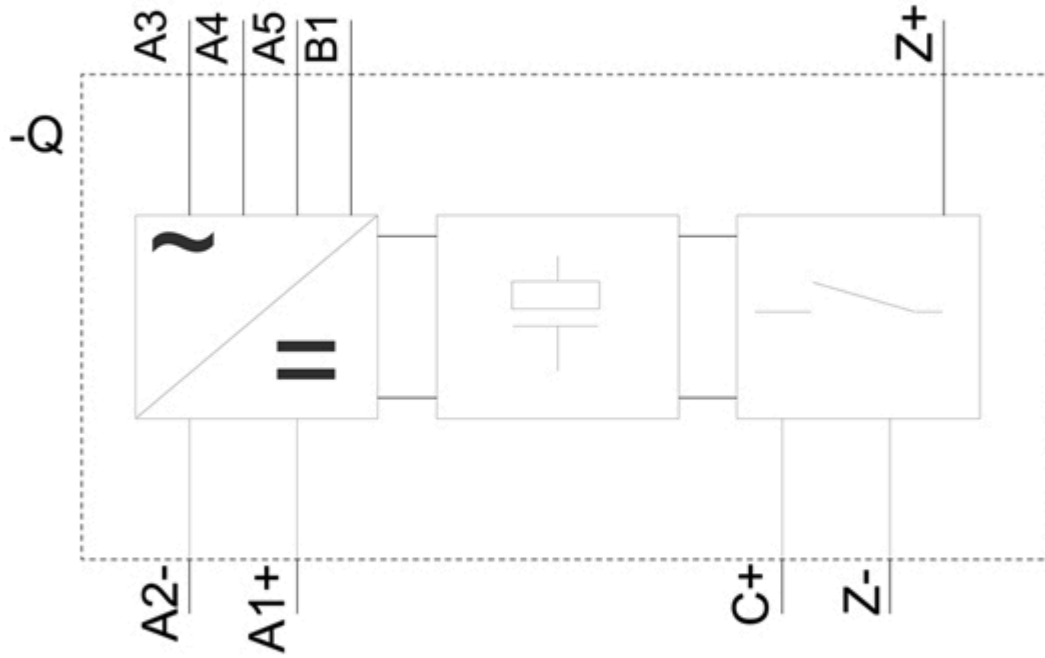
Service&Support (Manuals, Certificates, Characteristics, FAQs,...)

<https://support.industry.siemens.com/cs/ww/en/ps/3RT2916-2BK01>

Image database (product images, 2D dimension drawings, 3D models, device circuit diagrams, EPLAN macros, ...)

http://www.automation.siemens.com/bilddb/cax_de.aspx?mlfb=3RT2916-2BK01&lang=en





last modified:

5/15/2020 [↗](#)