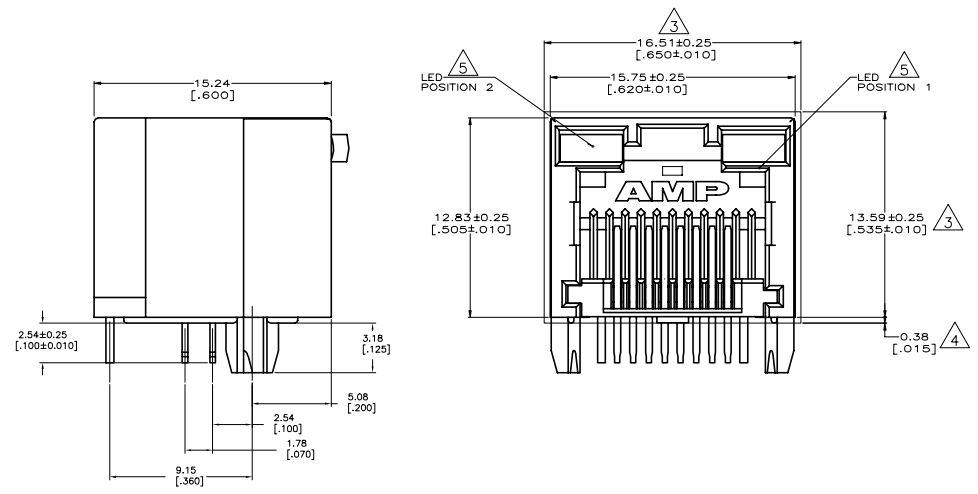
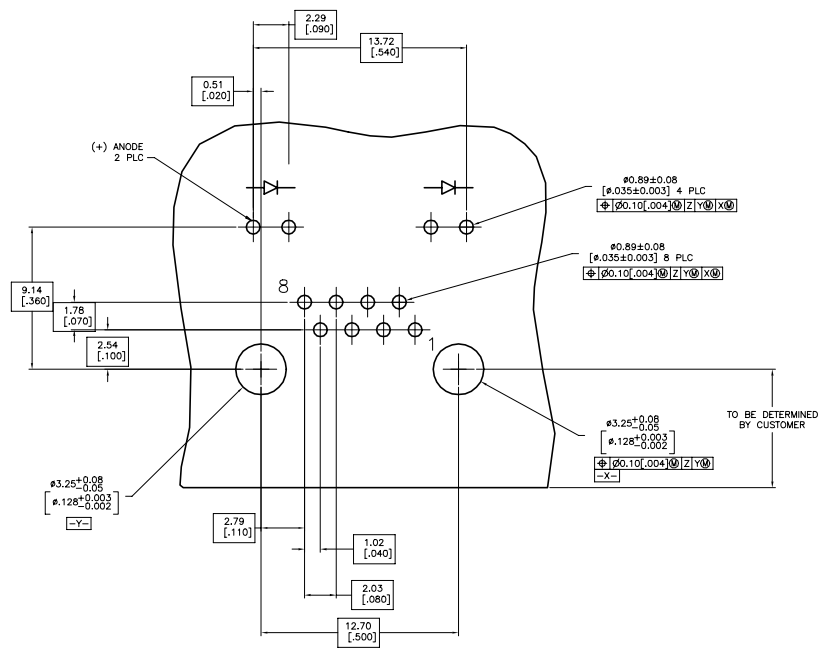


| REVISIONS | | | | |
|-----------|---------------|-------------|-----------|-----------|
| TR | LN | DESCRIPTION | DATE | BY / APPR |
| G2 | ECO-18-014918 | | 29AUG2020 | RR / SH |



- MATERIAL:
HOUSING - HIGH TEMPERATURE THERMOPLASTIC, COLOR: BLACK, UL94V-0.
TERMINALS - 0.36[.014] THICK PHOS BRONZE PLATED WITH 3.81µm[.000150] MINIMUM THICK BRIGHT TIN LEAD IN SOLDER AREA. 1.27µm [0.000050] MINIMUM GOLD IN LOCALIZED PLATE AREA. ENTIRE TERMINAL PLATED WITH 1.27µm [0.000050] MINIMUM THICK NICKEL.
LIGHT EMITTING DIODE (LED) - DIFFUSED EPOXY LENS, .51 x .51[.020 x .020] CARBON STEEL WIREFRAME LEADS PLATED WITH 8.89µm[.000350] TIN/COPPER OVER 2.03µm[.000080] SILVER OVER 1.02µm[.000040] NICKEL UNDERPLATE OVER 2.03µm[.000080] COPPER UNDERPLATE.
 - JACK CAVITY CONFORMS TO FCC RULES AND REGULATIONS PART 68, SUBPART F.
- △ SUGGESTED PANEL OPENING DIMENSIONS.
 - △ SUGGESTED CLEARANCE BETWEEN BOTTOM OF CONNECTOR AND BOTTOM PANEL OPENING.
 - △ SEE TABLE FOR COLOR OF LEDS AND NUMBER REQUIRED.
 - 6. THIS MODULAR JACK WITH INTEGRATED LED IS NOT IR REFLOW SOLDERING PROCESS COMPATIBLE.
 - △ OBSOLETE PARTS: OBSOLETE CIS STREAMLINING PER D.RENAUD/D.SINISI



RECOMMENDED PRINTED CIRCUIT BOARD LAYOUT (COMPONENT SIDE)

| INDICATOR COLOR | PART NUMBER | |
|-----------------|-------------|------------|
| | POSITION 2 | POSITION 1 |
| GREEN | - | 1-406533-7 |
| GREEN | RED/GREEN | 1-406533-0 |
| YELLOW | YELLOW | 406533-6 |
| YELLOW | - | 406533-3 |
| - | GREEN | 406533-2 |
| YELLOW | GREEN | 406533-1 |

THIS DRAWING IS A CONTROLLED DOCUMENT. DATE: 17SEP97. BY: SPRINKLE. NAME: TE Connectivity.

| | | | | | |
|----------------------|--|--|---------------------|---------------------|---------------------------------|
| DIMENSIONS: mm | TO MANUFACTURE OTHER THAN SPECIFIED: 0 P.L.C. ± - 1 P.L.C. ± 0.25(.010) 2 P.L.C. ± 0.13(.005) 3 P.L.C. ± 0.13(.005) 4 P.L.C. ± - | TO MANUFACTURE OTHER THAN SPECIFIED: 0 P.L.C. ± - 1 P.L.C. ± 0.25(.010) 2 P.L.C. ± 0.13(.005) 3 P.L.C. ± 0.13(.005) 4 P.L.C. ± - | DATE CODE: 114-2154 | DRAWING NO: A100779 | RESTRICTED TO: CUSTOMER DRAWING |
| MATERIAL: SEE NOTE 1 | FINISH: SEE NOTE 1 | WEIGHT: 0.000000 | SIZE: A1 | SCALE: 8:1 | SHEET: 1 of 1 |

REV: G2