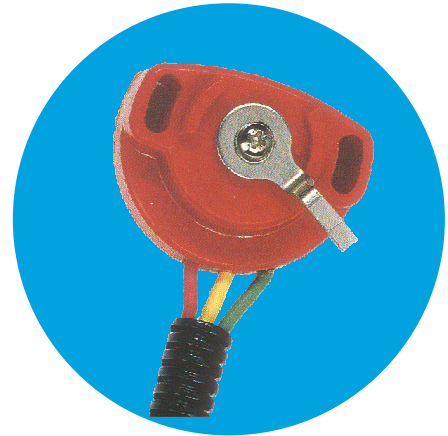
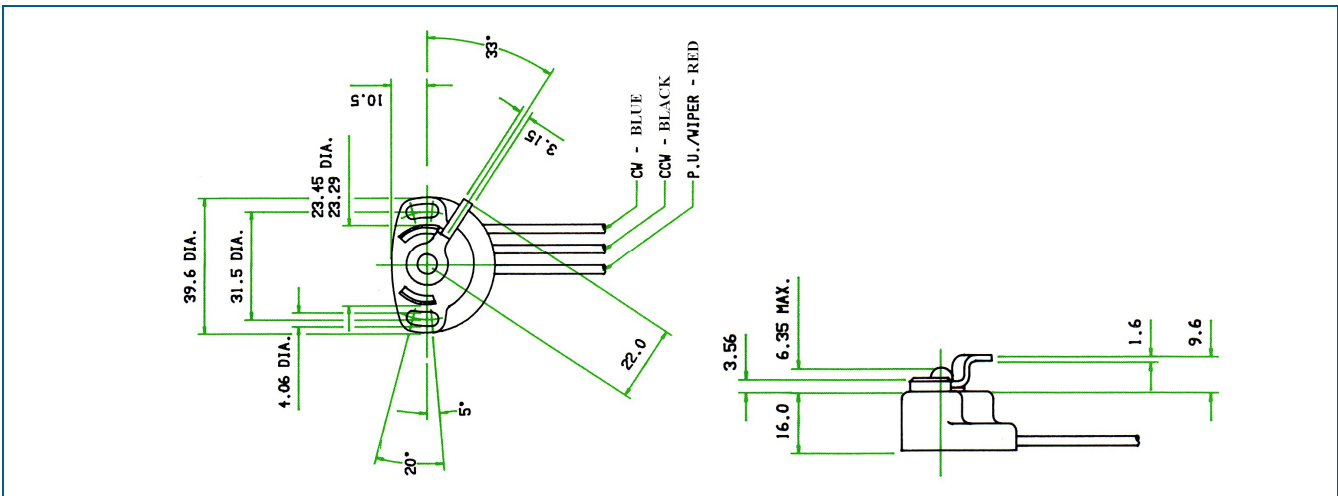


Conductive Polymer Automotive potentiometer



Carpot CP17/543 type

- High performance potentiometer
- Lever operation
- Spring return to zero
- Radial mounting slots
- Flying Leads
- Glass filled nylon housing



Technical data

Standard resistance	4150 Ohms +/- 20%	Wiper protection resistor	42% of value
Hysteresis	< 0.3%	Output signal temperature coefficient	<25 ppm / 0°C
Angel of effective rotation	94° +/- 3°	Output smoothness	0.5%
Total mechanical rotation	125° +/- 5°	Independent linearity	+/- 2%
Operation temperature	-40°C to +130°C	Operational torque	10 mNm min. / 85 mNm max.
End stop torque	800 mNm maximum	Rotational life	5 x 10 ⁶ cycles

Conductive polymer potentiometer for automotive and other similar demanding applications. A high performance cost effective potentiometer, with long endurance life and protection from engine compartment environment. Termination via 280 mm long flying leads.