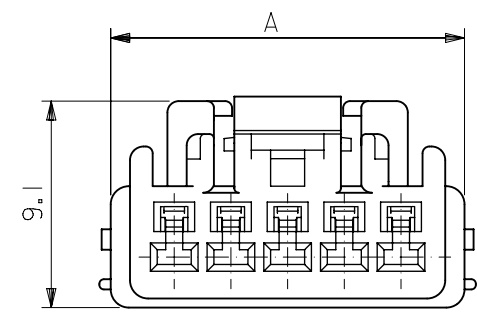
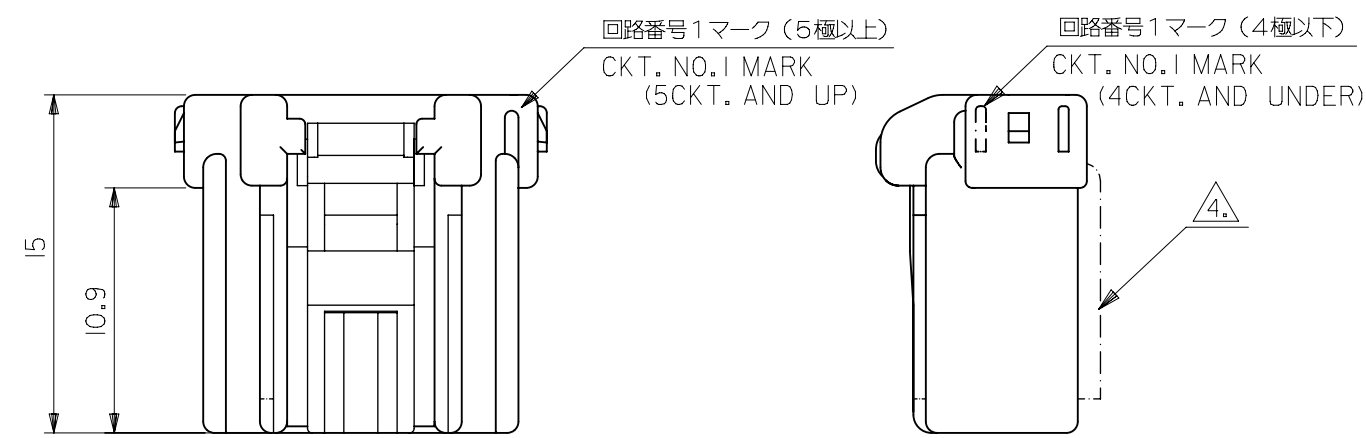
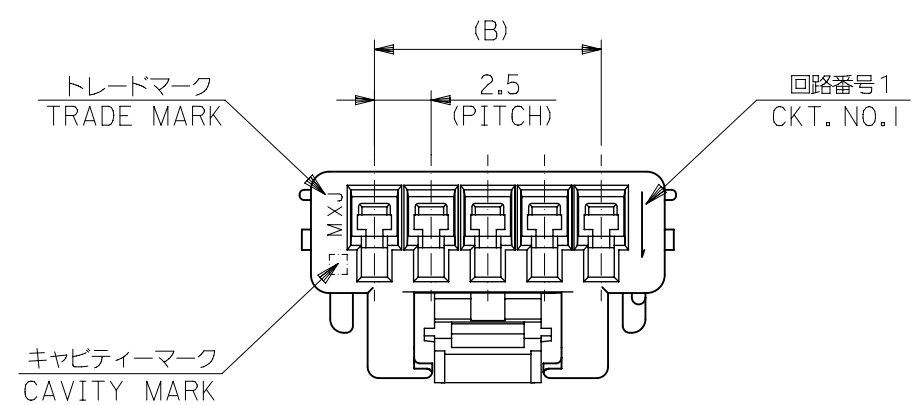


SHAPE OF
500592-050*

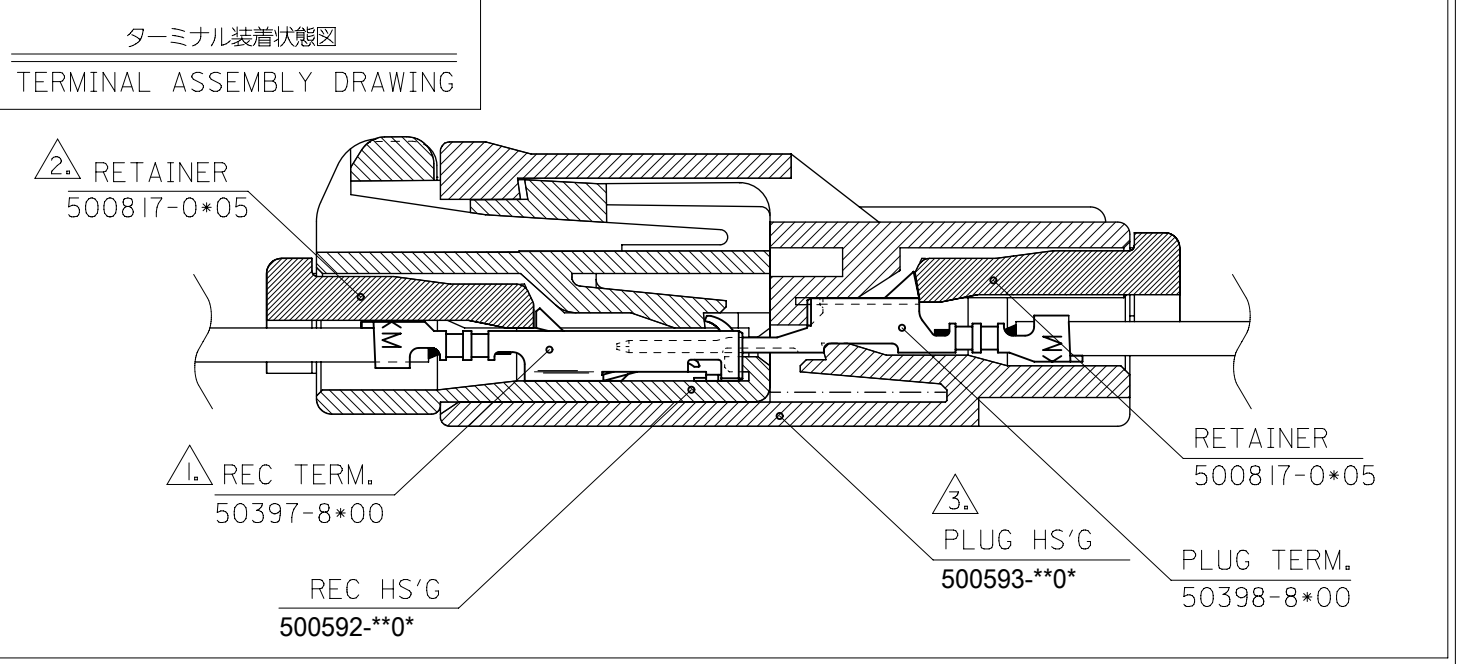
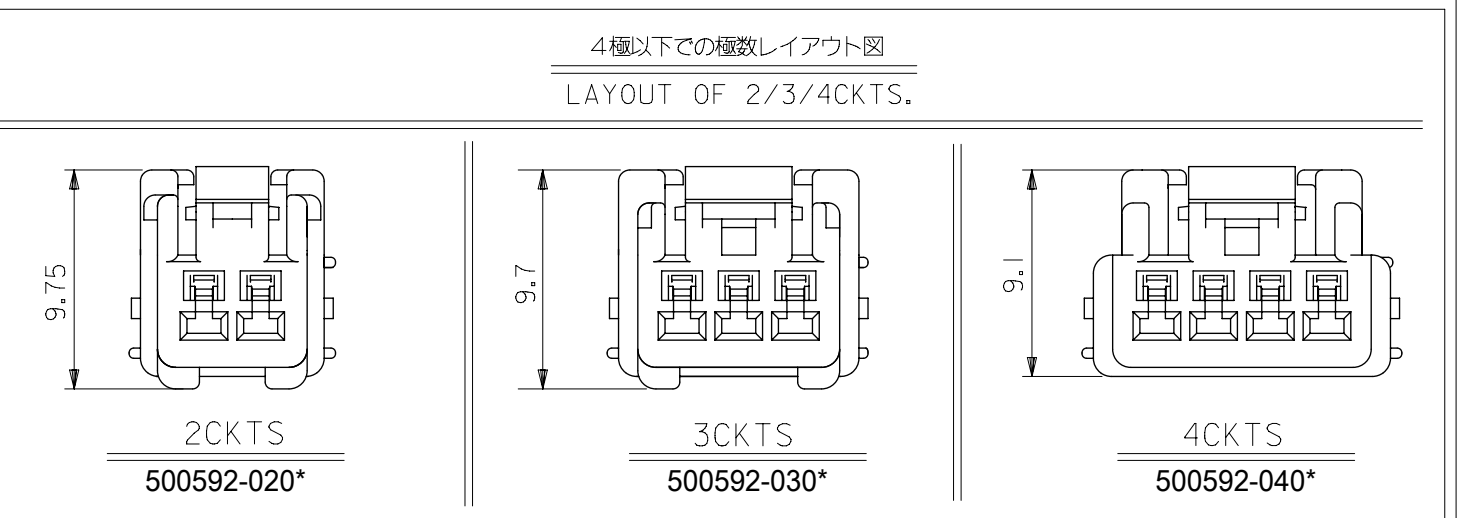


注記
NOTES

- 1. 適合ターミナル : 50397シリーズ
APPLICABLE TERMINAL : 50397 SERIES
- 2. 適合リテーナー : 500817シリーズ
APPLICABLE RETAINER : 500817 SERIES
- 3. 嵌合相手 : 500593シリーズ
MATE WITH : 500593 SERIES
- 4. 2及び3極に適用。
APPLY 2&3 CIRCUITS.
- 5. 材質 : PBT (UL94V-0)
MATERIAL : PBT(UL94V-0)

6. MATERIAL NO. は以下の内容を示す。
MATERIAL NO. :

- 500592-**0*
- 極数 ← 色
CKT COLOR
- 0: 自然色 NATURAL
 - 1: 黒 BLACK
 - 2: 赤 RED
 - 3: 黄色 YELLOW
 - 4: 青 BLUE
 - 6: 緑 GREEN



PRE-RELEASE
REFERENCE
USE ONLY

500592-**0* MODEL NO.

| | | | | | | | | | | |
|---|---------|---|---------|------------|-----------------|-------------------|--|--------------|----------|----------|
| THIS DRAWING CONTAINS INFORMATION THAT IS PROPRIETARY TO MOLEX ELECTRONIC TECHNOLOGIES, LLC AND SHOULD NOT BE USED WITHOUT WRITTEN PERMISSION | | | | | | | | | | |
| DIMENSION UNITS | SCALE | CURRENT REV DESC: OBSOLETE PART NUMBERS AS PER PCN#512131. | | | | | | | | |
| mm | NTS | <div style="text-align: center; font-size: 2em; font-weight: bold;">molex</div> <p>2.5MM WIRE TO WIRE CONN RECEPTACLE HOUSING</p> <p>PRODUCT CUSTOMER DRAWING</p> | | | | | | | | |
| GENERAL TOLERANCES (UNLESS SPECIFIED) | | | | | | | | | | |
| ANGULAR TOL | ± 3.0 ° | EC NO: 727779 | | 2022/10/26 | | DOCUMENT NUMBER | | DOC TYPE | DOC PART | REVISION |
| 4 PLACES | ± 0.2 | DRWN: ANIKES1 | | 2022/11/29 | | SD-500592-001 | | PSD | 001 | C |
| 3 PLACES | ± 0.25 | CHK'D: GGA | | 2022/11/29 | | INITIAL REVISION: | | | | |
| 2 PLACES | ± 0.3 | APPR: GGA | | 2004/06/11 | | DRWN: TODA | | | | |
| 1 PLACE | ± | | | 2004/06/16 | | APPR: YOITO | | | | |
| 0 PLACES | ± | | | | | | | | | |
| DRAFT WHERE APPLICABLE MUST REMAIN WITHIN DIMENSIONS | | THIRD ANGLE PROJECTION | DRAWING | SERIES | MATERIAL NUMBER | CUSTOMER | | SHEET NUMBER | | |
| | | | A3-SIZE | 500592 | SEE TABLE | GENERAL MARKET | | 1 OF 2 | | |

10

9

8

7

6

5

4

3

2

1

F

F

E

E

D

D

C

C

B

B

A

A

| | | | | | | | | | | |
|-------------|----------------------|------|------|------|-------------|-------------|-------------|-------------|-------------|------------|
| 500593-080* | 500817-0805 | 17.5 | 23.1 | 8 | --- | --- | --- | --- | 500592-0800 | |
| ↑ -070* | ↑ -0705 | 15 | 20.6 | 7 | --- | --- | --- | --- | ↑ -0700 | |
| -060* | -0605 | 12.5 | 18.1 | 6 | --- | --- | --- | --- | -0600 | |
| -050* | -0505 | 10 | 15.6 | 5 | --- | --- | --- | --- | -0500 | 500592-*** |
| -040* | -0405 | 7.5 | 13.1 | 4 | --- | 500592-0403 | --- | --- | -0400 | |
| ↓ -030* | ↓ -0305 | 5 | 10.6 | 3 | 500592-0304 | --- | --- | --- | ↓ -0300 | |
| 500593-020* | 500817-0205 | 2.5 | 8.1 | 2 | 500592-0204 | 500592-0203 | 500592-0202 | 500592-0201 | 500592-0200 | |
| MATE WITH | CONFORTABLE-RETAINER | B | A | CKT. | BLUE | YELLOW | RED | BLACK | NATURAL | MODEL NO. |

PRE-RELEASE
REFERENCE ONLY
USE ONLY

THIS DRAWING CONTAINS INFORMATION THAT IS PROPRIETARY TO MOLEX ELECTRONIC TECHNOLOGIES, LLC AND SHOULD NOT BE USED WITHOUT WRITTEN PERMISSION

| | | | | | |
|--|---------|--|--|----------|-----------------|
| DIMENSION UNITS | SCALE | CURRENT REV DESC: OBSOLETE PART NUMBERS AS PER PCN#512131. | molex | | |
| mm | NTS | | | | |
| GENERAL TOLERANCES (UNLESS SPECIFIED) | | | 2.5MM WIRE TO WIRE CONN RECEPTACLE HOUSING | | |
| ANGULAR TOL | ± 3.0 ° | EC NO: 727779 | PRODUCT CUSTOMER DRAWING | | |
| 4 PLACES | ± 0.2 | DRWN: ANIKES1 2022/10/26 | DOCUMENT NUMBER | | |
| 3 PLACES | ± 0.25 | CHK'D: GGA 2022/11/29 | SD-500592-001 | | |
| 2 PLACES | ± 0.3 | APPR: GGA 2022/11/29 | DOC TYPE | DOC PART | REVISION |
| 1 PLACE | ± | INITIAL REVISION: | PSD | 001 | C |
| 0 PLACES | ± | DRWN: TODA 2004/06/11 | SHEET NUMBER | | |
| DRAFT WHERE APPLICABLE MUST REMAIN WITHIN DIMENSIONS | | THIRD ANGLE PROJECTION | DRAWING | SERIES | MATERIAL NUMBER |
| | | | A3-SIZE | 500592 | SEE TABLE |
| | | | CUSTOMER | | GENERAL MARKET |
| | | | | | 2 OF 2 |

| | | | | |
|-----------------|----|--------------|------------|----------|
| DOCUMENT STATUS | P1 | RELEASE DATE | 2022/11/29 | 12:45:08 |
|-----------------|----|--------------|------------|----------|

FORMAT: master-b-prod-A3 REVISION: 11 DATE: 2021/05/01

9

8

7

6

5

4

3

2

1